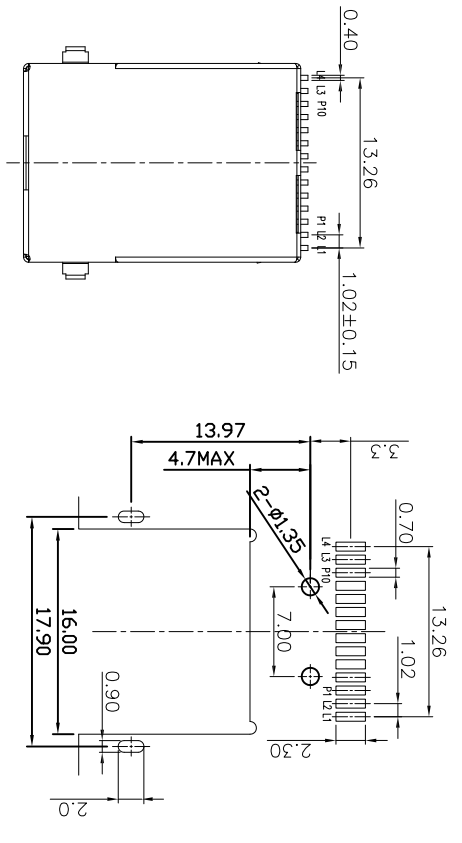
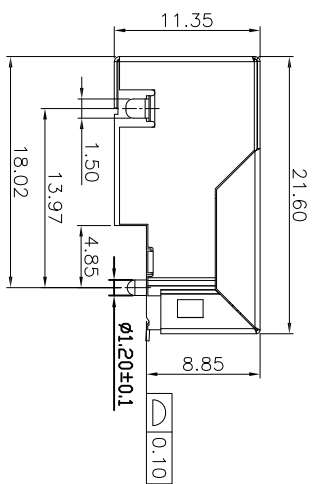
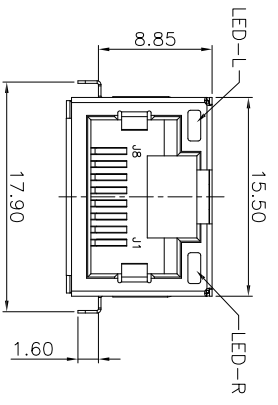


4	4	3	2	1
CATEGORY	DESCRIPTION	P/N #		
CONNECTOR	RJ45+Transformer 沉板SMT 1000Mbps	MJ6A-B211-HRLXT165-1X		

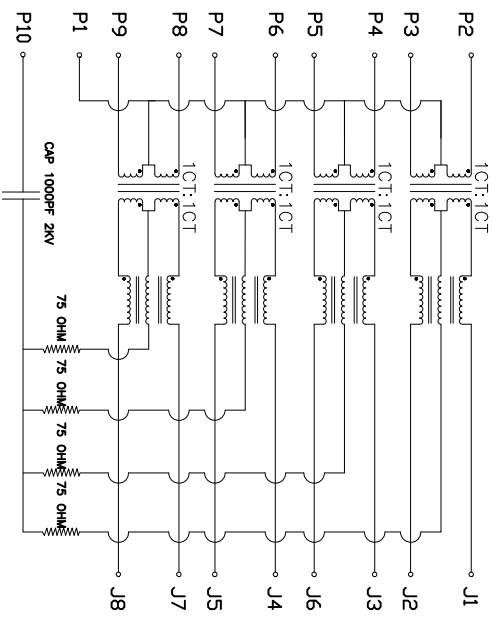
REV.	ECN NO	DESCRIPTION	REVISED	DATE
X01		NEW RELEASE	XSY	2017.06.21
A01		整理发行	XSY	2017.9.15



Recommended PCB Layout  
(ToI:±0.05,T=1.60±0.05mm)



- 1.Turn Ratio(+/-2%): 1CT:1CT
- 2.Inductance OCL: 350uH Min@100KHz/0.1V DC BIAS 8mA
- 3.Insertion Loss:  
-1.0dB MAX@1.0-100MHz  
-1.2dB MAX@100-125MHz
- 4.Return Loss:  
-20dB Min@1-30MHz  
-16dB Min@30-60MHz  
-12dB Min@60-80MHz  
-10dB Min@80-100MHz
- 5.Cross Talk:  
-40dB Min@1-30MHz  
-35dB Min@30-60MHz  
-30dB Min@60-100MHz
- 6.Common Mode Rejection:  
-30dB Min@1-50MHz  
-20dB Min@50-150MHz
- 7.OPERATING TEMPERATURE RANGE: 0-70°C



9	LED-R	1	See Table	Tin PLATING	
f	LED-L	1	See Table	Tin PLATING	
e	SHELL	1	BRASS	Ni PALTING	
d	SOLDER TERMINAL	14	BRASS	Tin PALTING	
c	CONTACT TERMINAL	8	PHOSPHOR BRONZE	Au 6u" PALTING	
b	INSERT	1	LCP UL94V-0	BLACK	
a	HOUSING	1	LCP UL94V-0	BLACK	
NO.	PART NAME	QTY	MATERIAL	PLATING & COLOR	Remark

UNLESS OTHERWISE SPECIFIED TOLERANCES

DECIMALS:	ANGLES:
X :±0.5	X :±2°
XX :±0.3	XX :±1°
XXX :±0.2	

SCALE:1/1 UNIT: mm DWG.NO:

APPROVED BY: XSY CHECKED BY: XSY PREPARED BY: XSY

DICK

CUSTOMER COPY

东莞市合陵电子有限公司  
Dongguan Heling Electronic Co.,LTD