

PART SPECIFICATION FOR APPROVAL

CUSTOMER	Bionic System Solutions
MODEL	CMC-6035T-C1
DESCRIPTION	electret condenser microphone
DATE	10/04/2021
# OF PAGES	5

rev.	description	date
1.0	initial release	10/04/2021

The revision history provided is for informational purposes only and is believed to be accurate.

Please sign below.

approved by _____
(please print)

signature _____

date _____

Specification sign-off verifies that you have reviewed the entire specification and tested this product and that it meets your requirements. This specification reflects the part as it is to be ordered. Orders will not be processed until the specification approval page has been signed and returned to CUI Devices. This specification is confidential and is not to be distributed without prior approval from CUI Devices.

SPECIFICATIONS

parameter	conditions/description	min	typ	max	units
directivity	omnidirectional				
sensitivity (S)	f = 1 kHz, 1 Pa, 0 dB = 1 V/Pa	-45	-42	-39	dB
standard operating voltage (Vs)			2		Vdc
max operating voltage				10	Vdc
output impedance (Zout)	f = 1 kHz, 1 Pa			2.2	kΩ
sensitivity reduction (ΔS-Vs)	f = 1 kHz, 1 Pa, Vs = 2.0 ~ 1.5 Vdc		-3		dB
frequency (f)		100		20,000	Hz
current consumption (IDSS)	Vs = 2.0 Vdc, RL = 2.2 kΩ			0.5	mA
max input S.P.L	at 1 kHz, THD<10%			130	dB SPL
distortion	at 94 dB			1	%
signal to noise ratio (S/N)	f = 1 kHz, 1 Pa, A-weighted		70		dBa
dimension	Ø6.0 x 2.7 mm				
weight				0.20	g
material	AL				
terminal	solder pins				
operating temperature		-20		70	°C
storage temperature		-20		70	°C
RoHS	yes				
IP level	IP67 (IEC standard 529 edition 2.0 (1989))				

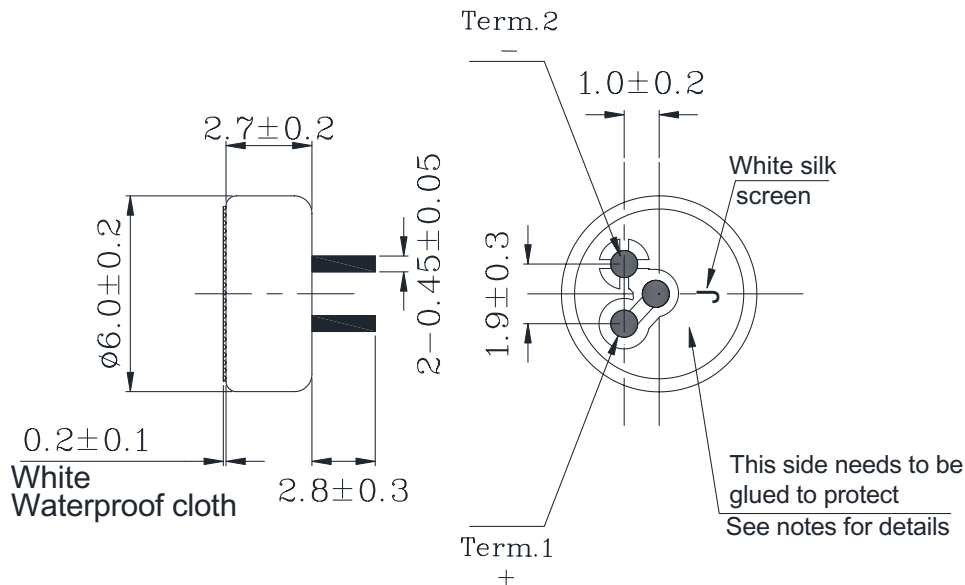
Notes: 1. We use the "Pascal (Pa)" indication of sensitivity as per the recommendation of I.E.C. (International Electrotechnical Commission). The sensitivity of "Pa" will increase 20dB compared to the "ubar" indication. Example: -60dB (0dB = 1V/ubar) = -40dB (1V/Pa)
 2. All specifications measured at 5~35°C, humidity at 45~85%, under 86~106kPa pressure, unless otherwise noted.

SOLDERABILITY

parameter	conditions/description	min	typ	max	units
hand soldering	for a max of 2 seconds	310	320	330	°C

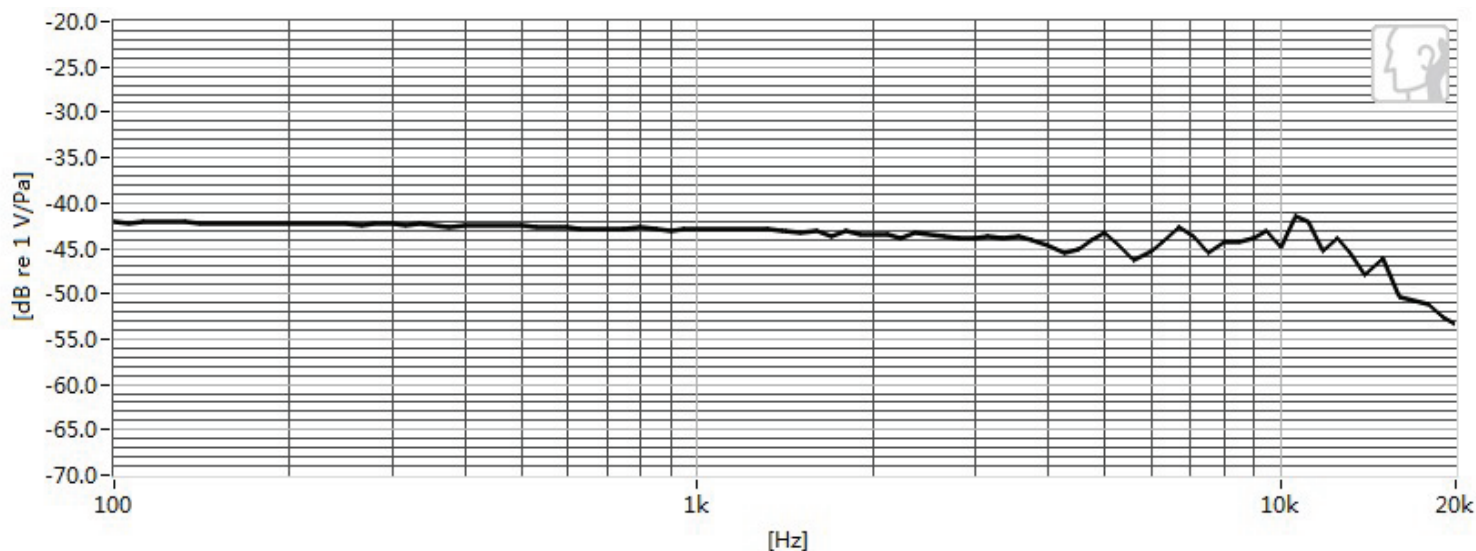
MECHANICAL DRAWING

units: mm
 tolerance: ±0.25 mm



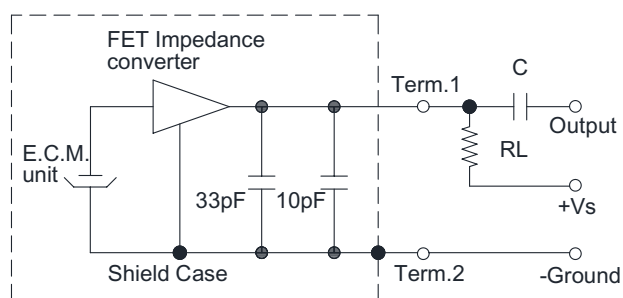
Notes: 3. Glue protection instructions for the back of the microphone: Prevent water short circuit of microphone +/- pole resulting in electrical anomalies and more reliable protection of PCB and microphone metal shell junction.
 4. Protection of the microphone body: After the customer's microphone is welded, the PCB surface needs to be dotted with glue to seal the insulation and ensure water proof.
 5. Mechanism protection: Customers can also glue the microphone cavity in the mechanism shell to prevent the microphone surface from water.

FREQUENCY RESPONSE CURVE



MEASUREMENT CIRCUIT

$R_L = 2.2\text{ k}\Omega$



Schematic Diagram

PACKAGING

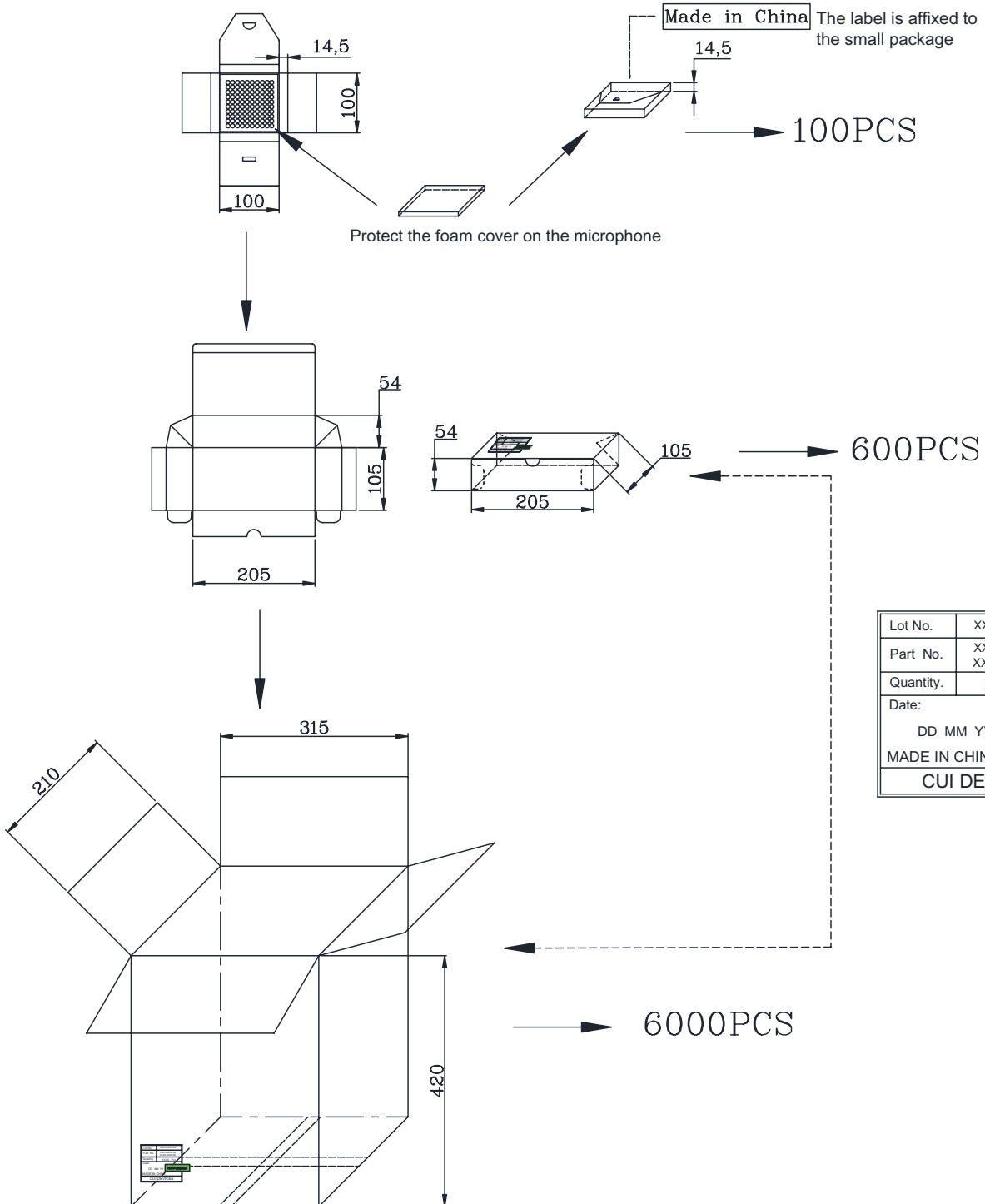
units: mm

Inner Box Size: 100 x 100 x 14.5 mm

Carton Size: 420 x 315 x 210 mm

Inner Box QTY: 100 pcs per box

Carton QTY: 6,000 pcs per carton



REVISION HISTORY

rev.	description	date
1.0	initial release	10/04/2021

The revision history provided is for informational purposes only and is believed to be accurate.

CUI DEVICES

CUI Devices offers a one (1) year limited warranty. Complete warranty information is listed on our website.

CUI Devices reserves the right to make changes to the product at any time without notice. Information provided by CUI Devices is believed to be accurate and reliable. However, no responsibility is assumed by CUI Devices for its use, nor for any infringements of patents or other rights of third parties which may result from its use.

CUI Devices products are not authorized or warranted for use as critical components in equipment that requires an extremely high level of reliability. A critical component is any component of a life support device or system whose failure to perform can be reasonably expected to cause the failure of the life support device or system, or to affect its safety or effectiveness.

Mouser Electronics

Authorized Distributor

Click to View Pricing, Inventory, Delivery & Lifecycle Information:

[CUI Devices:](#)

[CMC-6035T-C1](#)