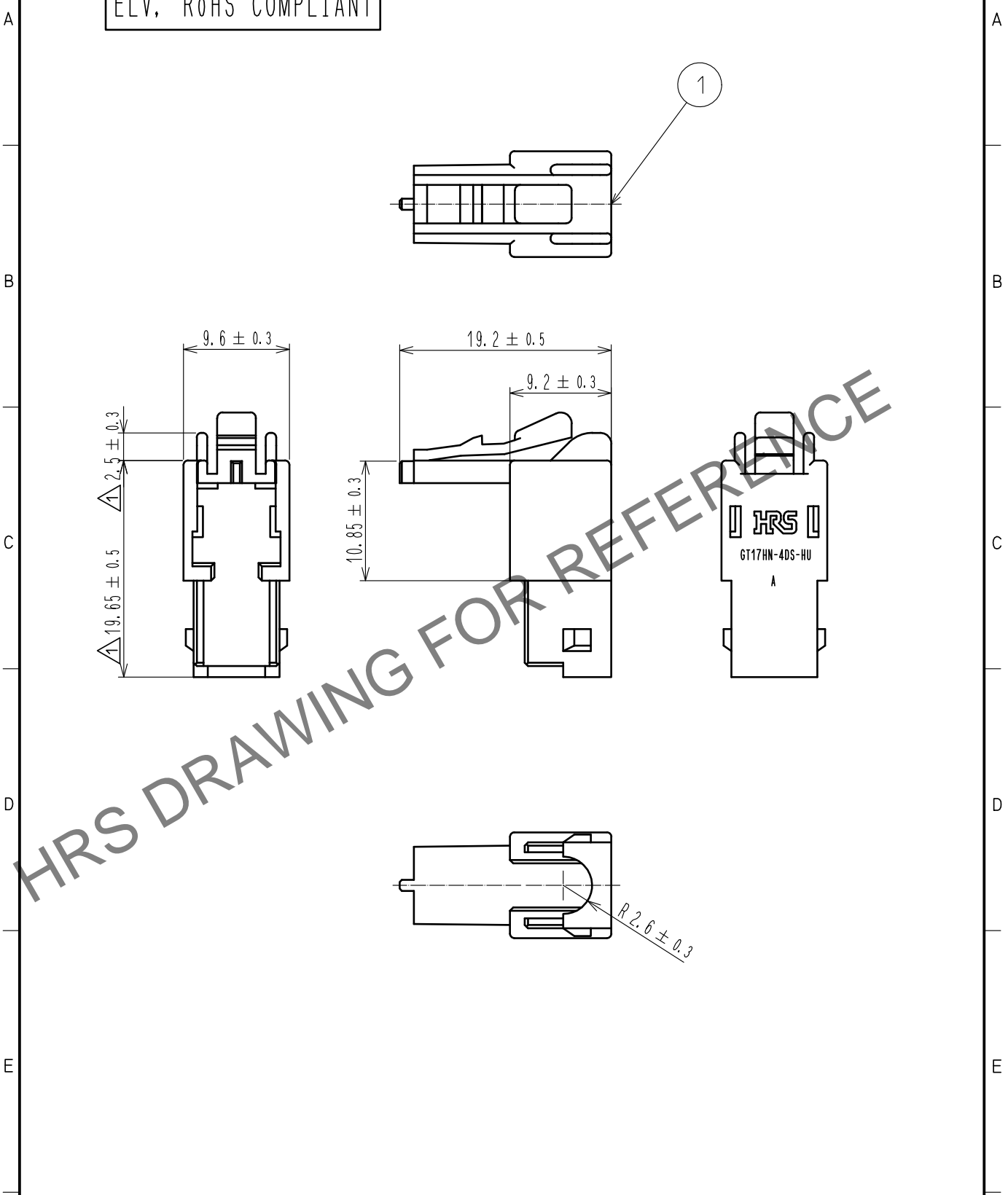


Jan.1.2024 Copyright 2024 HIROSE ELECTRIC CO., LTD. All Rights Reserved.
 In case of consideration for using Automotive equipment / device which demand high reliability, kindly contact our sales window correspondents.

ELV, RoHS COMPLIANT



1	PBT	DARK GRAY					
NO.	MATERIAL	FINISH	REMARKS	NO.	MATERIAL	FINISH	REMARKS
UNITS mm		SCALE 2 : 1	COUNT 	DESCRIPTION OF REVISIONS	DESIGNED	CHECKED	DATE
			2	DIS-T-00005174	KK. FURUKAWA	EJ. WAKATSUKI	20191118
HRS HIROSE ELECTRIC CO., LTD.	APPROVED	·KS. SATOH	20080708	DRAWING NO.	EDC-166810-00-00		
	CHECKED	·NH. NAKATA	20080708	PART NO.	GT17HN-4DS-HU		
	DESIGNED	·NA. HARUBAYASHI	20080708	CODE NO.	CL767-0141-8-00		
	DRAWN	·MH. SHOUJI	20080707				