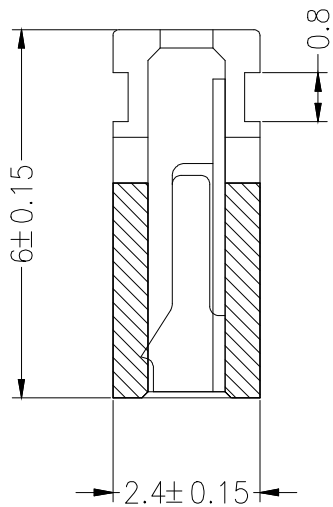
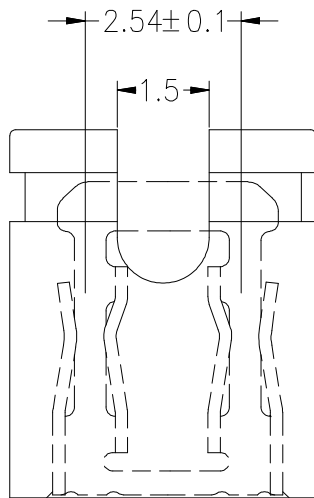


5±0.15



6±0.15

2.4±0.15



2.54±0.1

1.5

SPECIFICATIONS

Rated Current:3.0AMP  
 Contact Resistance:20mΩ Max  
 Withstand Voltage:1000V AC/DC  
 Insulation Resistance:1000MΩ Min  
 Operation Temperature:-40°c to +105°c

Contact Material:Brass  
 Contact Plating:Au Over Ni  
 Insulator Material:Polyester(UL94V-0)  
 Standard: PBT  
 Max.Processing Temp: 180°C for 30-60 seconds  
 (230°C for 10 seconds)

**Ordering Information**

XD-JP 254 - 1 - \*\* - OP - \* - \*\*

No.of Rows 1=Single Type	Length (mm) 45=4.5mm 60=6.0mm 65=6.5mm	Type OP=Open CL=Close	Color B=Black L=Blue R=Red W=White Y=Yellow	Contact Plating C0:Gold Flash G1:1u" Gold G2:3u" Gold G3:5u" Gold G4:10u" Gold G5:15u" Gold G6:30u" Gold S0:Gold Flash/Tin S1:Tin
-----------------------------	--	-----------------------------	--	--

			GENERAL TOLERANCE	制图 DRAWING	深圳讯答科技有限公司 ShenzhenXundaTechnology Co.,Ltd			
			DIM TOL	审核 CHECK	产品名称 TITLE	2.54 跳线帽 (开口)	版本 REV.	A
			X.X ±0.30	批准 APPROVAL	产品料号 PART NO.	XD-JP254-1-60-OP-Y-G1	单位 UNITS	mm
1	初版发行		X.XX ±0.20	比例 SCALE			页次 SHEET	1/1
序号 No.	变更内容 MODIFY CONTENT	日期 MODIFY DATE	X.XXX ±0.10	投影 Projection	材料 MATERIAL			
			Angle ±3.0°					