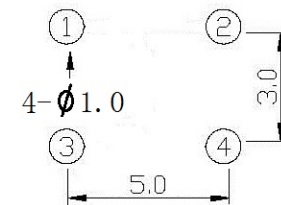
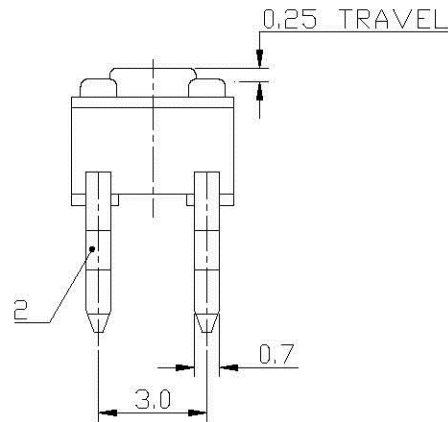
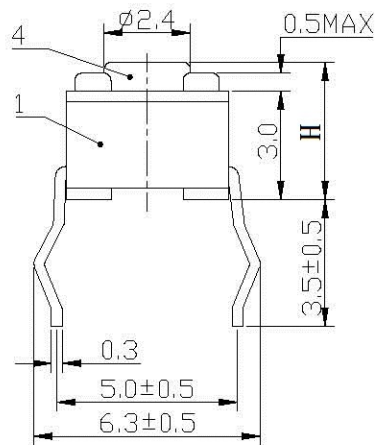


SCHEMATIC



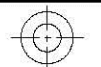
建议P. C. B LAYOUT



L&X 深圳市连欣科技有限公司

TITLE : 轻触开关 4.5*4.5* H DIP

MODEL : XDTD-1045-***H (例: 4.8H 即: XDTD-1045-048H)



TOLERANCE
 $\leq 1.5\text{mm} \pm 0.1$
 $> 1.5\text{mm} \pm 0.2$

ANGLE TOL
 ± 2

UNIT : MM	DWN.	DATE
SCALE : 5 : 1	CHK'D	DATE
VERSION 02	APPD.	DATE

5	COVER	BRASS STRIP	1	Ni PLATBD
4	KNOB	NYLON	1	BLACK
3	CONTACT	SUS	1	Ag CLAD
2	TERMINAL	BRASS STRIP	4	Ag PLATBD
1	CASE	NYLON	1	BLACK
NO.	PART NAME	MATERIAL	QTY.	FINISHING