

SPECIFICATION FOR APPROVAL

规格书

Customer (客户名称): _____

Customer P/N(客户编号): _____

Our P/N (本厂编号): FS23DS0420-H10.2-P1.25-L60

Approval Date(日期): 2023.8.17

Environment Request(环境标准):

Non-RoHS (非 RoHS 标准)

RoHS (RoHS 标准)

REACH (REACH 标准)

Others (其他)

CUSTOMER'S APPROVED SIGNATURE



福声科技
FUSHENG TECHNOLOGY

泰州福声电子科技有限公司

Taizhou Fusheng Electronic Technology Co.,Ltd.

Adds: No.98 of FengHuang Road West,Hailing District ,Taizhou .

地址：江苏省泰州市海陵区凤凰西路98号

Tel: +86-523-86219066

Fax: +86-523- 81601108

[Http://www.tzfsdz.com](http://www.tzfsdz.com)

E-mail: sales@electronic-tech.cn

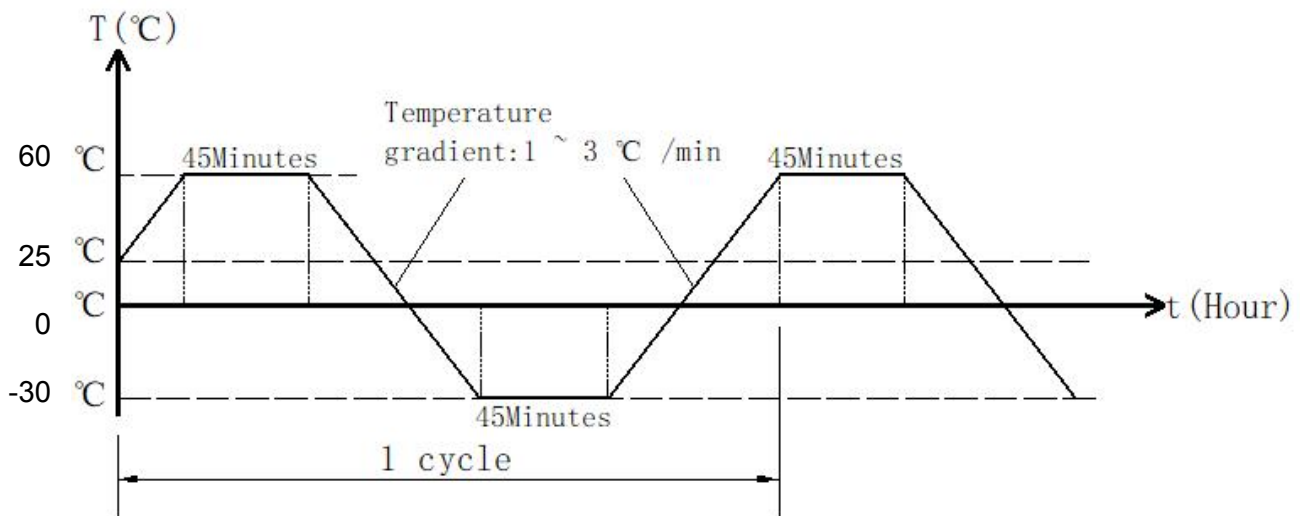
	DESINGER	CHECKED	APPROVED
SIGNATURE			
DATE			

Speaker Specification

Part No.	Customer No 客户型号		Customer code 客户编号	
	Our Part No 本厂编号	FS23DS0420-H10.2-P1.25-L60		Revision 版本 A
No.	Item 项目	Specification 规格	Testing Condition 测试条件	
1.	Rated Imp 共称阻抗	4Ω±15%	At 1kHz 2.0Vrms	
2.	Resonance Freq 最低共振周波数	Fo: 450Hz±20%	Without Baffle	
3.	Output S.P.L. 出力音压	82±3dB	At 0.1m 0.1w 0.6,0.8,1.0,1.2KHz Average	
4.	Rated Power 定格入力	at 2.0W	at 2.83 Vrms	
5.	Max Power 最大入力	at 3.5W	at 3.74Vrms	
6.	Frequency Range 实效频宽	FO----20kHz		
7.	Operation 可靠性试验	Must Be Normal at Rated Frequency Range	ProgramSource3.0W FO~10kHz	
8.	Buzzes & Rattles 异常音试验	Should not be audible buzz and rattle at Rated Frequency Range 无异常声	Sine Wave Between (正弦波入力) at 2.83Vrms / FO---- 10kHz	
9.	T H D 失真	10% Max	Rated Power Input 1000Hz	
10.	Magnet 磁铁	NdFeB		
11.	Operating Temperature 动作温度	-20°C to +50°C		
12.	Storage Temperature 储存温度	-30°C to +60°C		
13.	Weight 重量	/ g/PC		

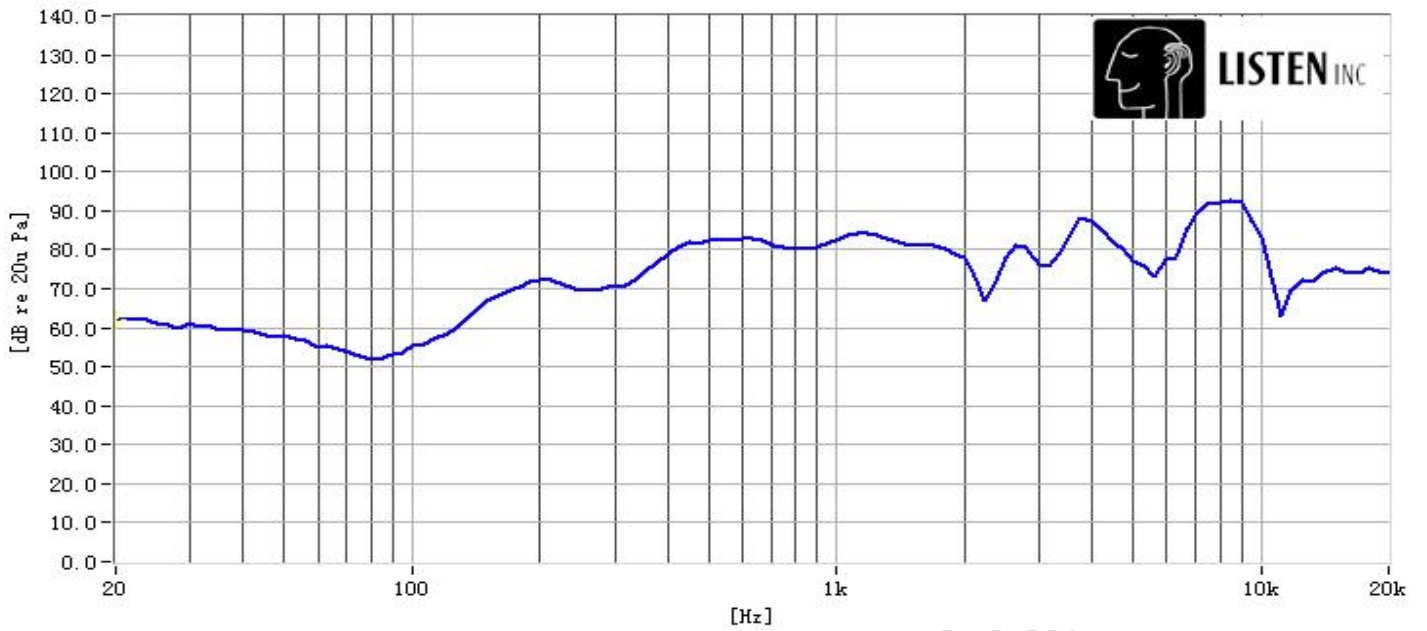
14.	Cold Test 耐寒试验	Must be normal after having been in a test chamber for 96 hours at the condition of $-30^{\circ}\text{C}\pm 2^{\circ}\text{C}$ and then left 2 hours in a room. ($-30^{\circ}\text{C}\pm 2^{\circ}\text{C}$, 96 小时试验室温两小时后, 无异常)
15.	Heat Test 耐热试验	Must be normal after having been in a test chamber for 96 hours at the condition of $+60^{\circ}\text{C}\pm 2^{\circ}\text{C}$ 90~95% R.H and then left 2 hours in a room. ($+60^{\circ}\text{C}\pm 2^{\circ}\text{C}$ 90~95% R.H 96 小时试验, 常温 2 小时后, 无异常的不良)
16.	Load Test 连续负荷试验	Must be normal after load test :white noise 3.0W 96 hours. At rated frequency range (白噪音 2.0W 连续 96 小时试验后无异常的不良)
17	Short Term Max Power test 瞬间最大功率试验	Test for 1 hour under maximum power. Input shall be white noise in rated frequency response. And the signal will be 1 second on, 59 seconds off, total 60 cycles at rated frequency range, Must be normal after the test (白噪音 3.5W, 1 秒开 59 秒关, 连续 60 回合, 试验后无异常之不良)
18.	Polarity 极性	When a DC source's "+" polarity is attached to speaker's "+" polarity, "-" polarity is attached speaker's "-" polarity, the membrane will move forward. Red wire is "+" and the black wire is "-". (接线板右侧为正极, 左侧为负极)
19.	Drop Test 跌落试验	Drop the speakers contained in normal box onto a board 5mm thick 6 times from a height of 1.0m . Must be normal after the test (在厚 5mm 的木板上从 1.0m 的高度跌落 6 次, 无异常不良)
20.	High temperature load test 高温负荷试验	Must be normal after load test :white noise 3.0W 48 hours at the condition of $+50^{\circ}\text{C}\pm 2^{\circ}\text{C}$ At rated frequency range (白噪音 3.0W 连续 48 小时在 $+50^{\circ}\text{C}\pm 5$, 试验后无异常的不良)

Temperature Cycle Test(5 cycle)

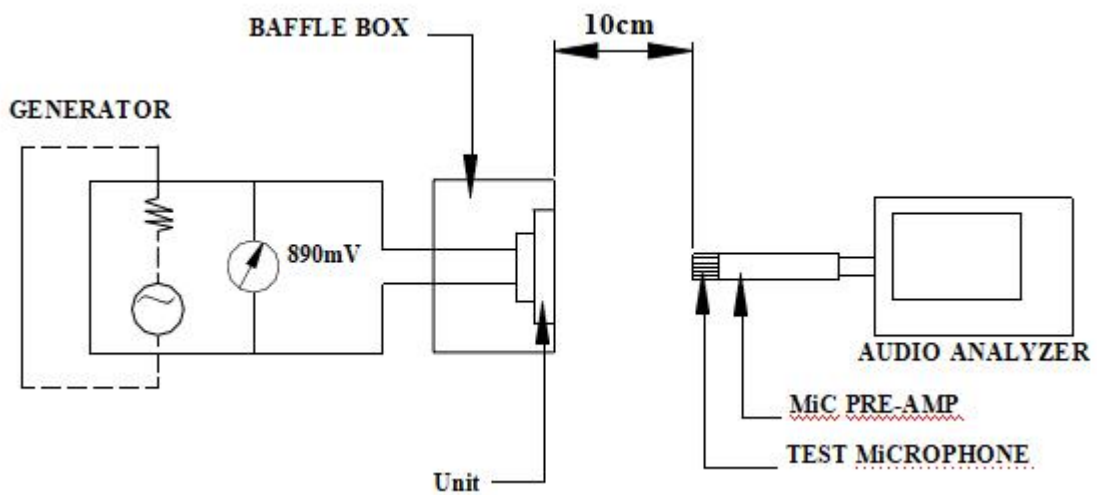
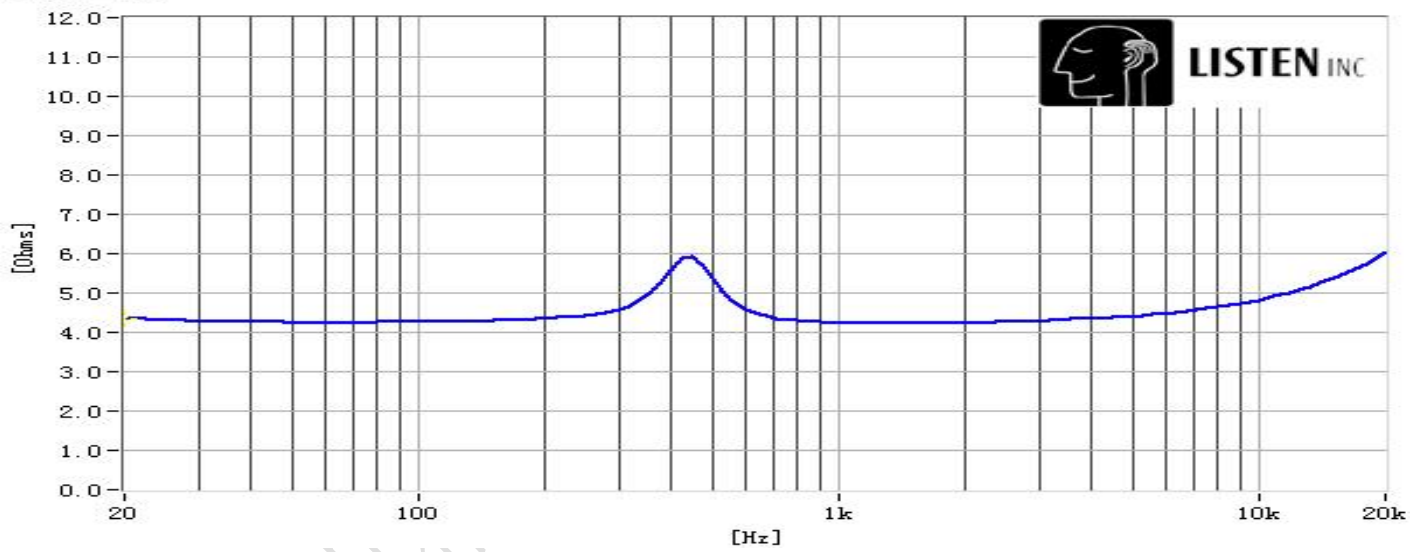


Frequency Response

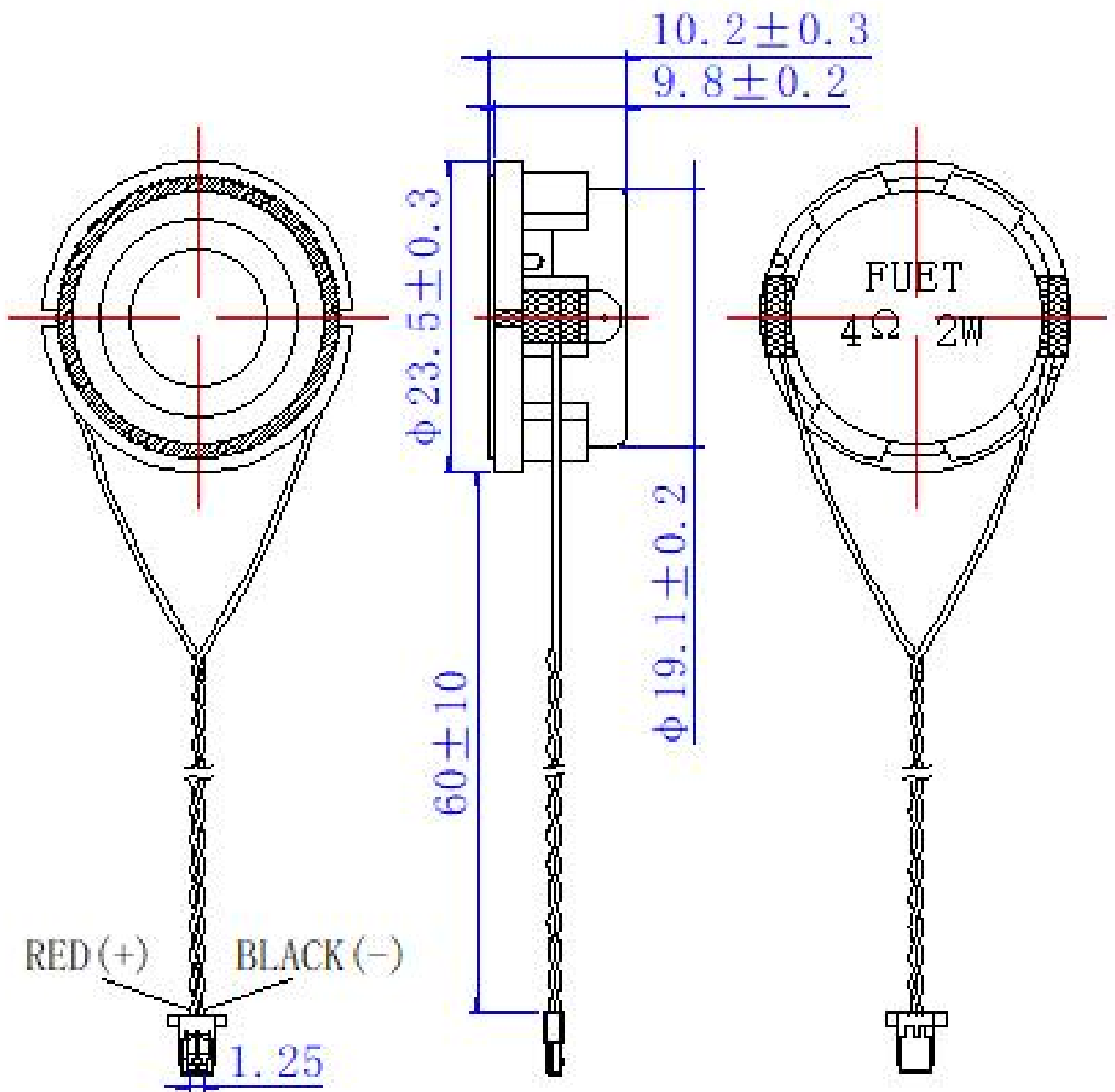
频响曲线



阻抗曲线



Product Outside View



FS23DS0420-H10.2-P1.25正-L60绞线