

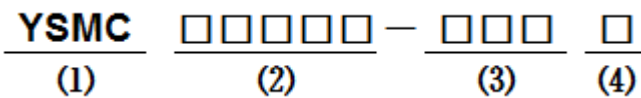
**■ Features**

- Molding Inductor.
- Low Profile,Low Temp.
- Large Current(Over 15A).
- Customize For Different Need.
- Operating temperature:-55℃ ~ +125℃(Including self - temperature rise).

**■ Applications**

- General Electronic.
- Video Device,TV,TFT.
- Power Module for PC.
- NB/Lap Top Computer.
- Server,VGA Card/Module.

**■ Product Identification**



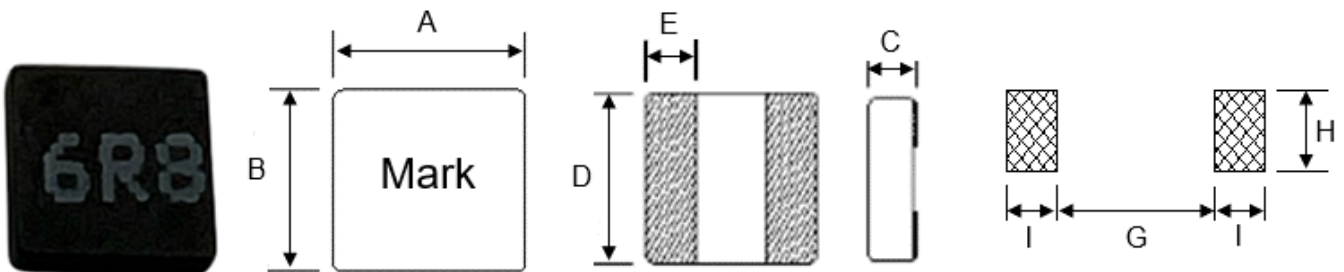
(1) : Type

(2) : Dimensions

(3) : Inductance value

(4) : Inductance Tolerance: N=±30%,M=±20%

**■ Shapes and Dimensions (Unit: mm)**



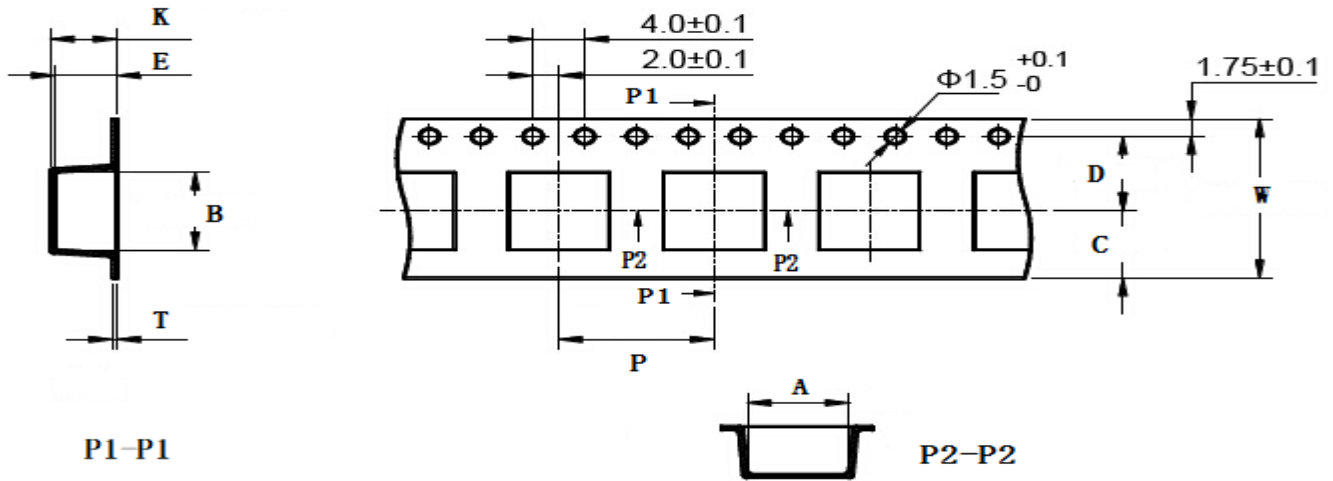
TYPE	A	B	C Max.	D	E	G Ref.	H Ref.	I Ref.
YSMC0412V	4.0±0.3	4.0±0.3	1.2	4.0±0.3	1.2+0.3/-0.2	1.5	4.3	1.5

## ■ YSMC0412V Series

Part Number	Inductance (uH) @100KHz	DC Resistance (mΩ)		Heat Rating Current (A)	Saturation Current (A)
		Typ.	Max.		
YSMC0412V-R25M	0.25 ± 20%	8.0	10.0	8.0	11.0
YSMC0412V-R47M	0.47 ± 20%	20.0	25.0	7.0	9.5
YSMC0412V-R68M	0.68 ± 20%	25.0	30.0	6.0	8.0
YSMC0412V-1R0M	1.0 ± 20%	27.0	33.0	5.0	7.0
YSMC0412V-1R5M	1.5 ± 20%	43.0	55.0	4.2	6.5
YSMC0412V-2R2M	2.2 ± 20%	52.0	63.0	4.0	6.0
YSMC0412V-3R3M	3.3 ± 20%	78.0	90.0	3.5	5.0
YSMC0412V-4R7M	4.7 ± 20%	96.0	110.0	3.0	4.5
YSMC0412V-5R6M	5.6 ± 20%	121.0	140.0	2.5	4.0
YSMC0412V-6R8M	6.8 ± 20%	137.0	160.0	2.3	3.5
YSMC0412V-100M	10 ± 20%	210.0	240.0	1.8	2.5

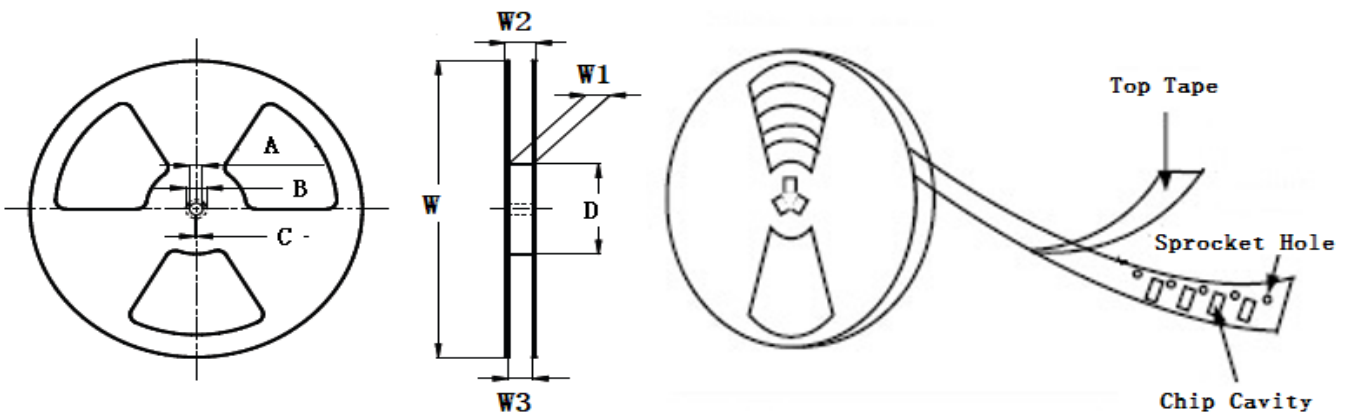
- ※ The saturation current value is the DC current value having inductance decrease down to 30%. (at 20°C)
- ※ The temperature rise current value is the DC current value having temperature increase up to 40°C. (at 20°C)
- ※ The rated current is the DC current value that satisfies both of current value saturation current value and temperature rise current value.

**■ Taping Dimensions(Unit:mm)**



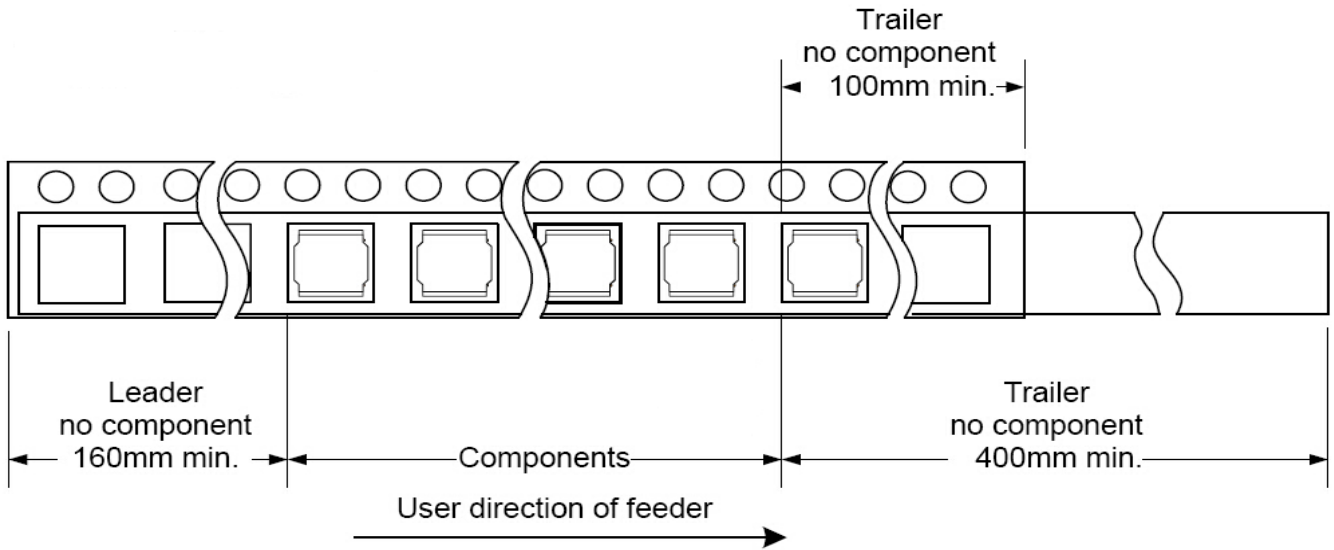
TYPE	W	A	B	C	D	E	P	K Ref	T	MPQ
YSMC0412V	12±0.3	4.3±0.1	5.10±0.1	4.75	5.5±0.1	2.1±0.1	8±0.1	2.2	0.30±0.05	3000

**■ Reel Dimensions(Unit:mm)**

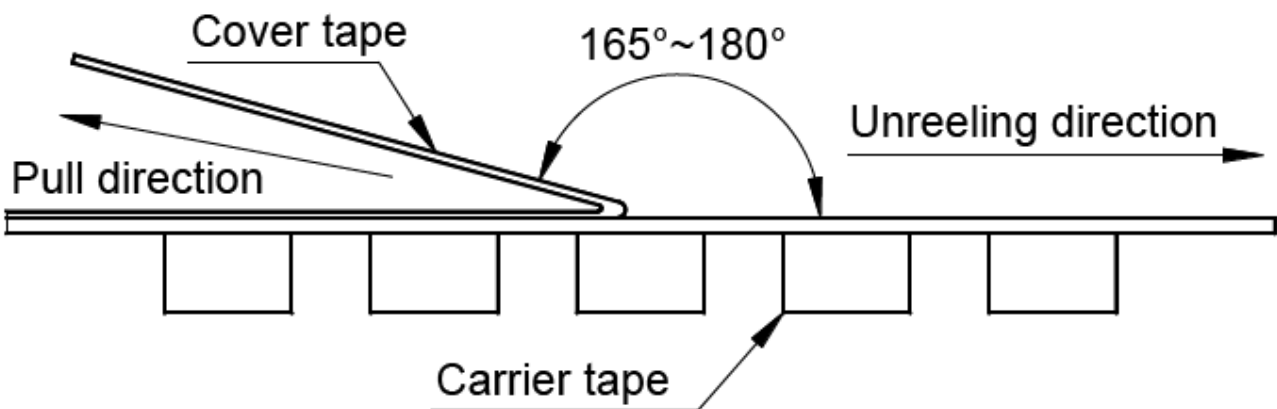


TYPE	W	W1	W2	W3	A	B	C	D
YSMC0412V	330±2.0	12.4±1.50	18.4MAX	11.9Min	13.0±0.50	21.0±0.80	2.0±0.50	100 Min

■ Direction of rolling



■ Cover tape peel off condition



Cover tape peel force shall be 0.1N to 1.3N.

Reference peel speed 300±10mm/min.