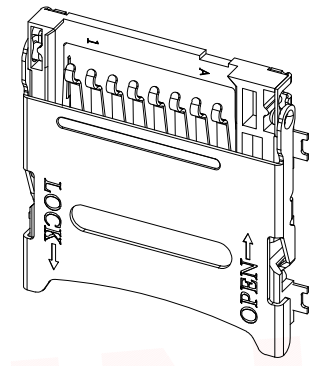
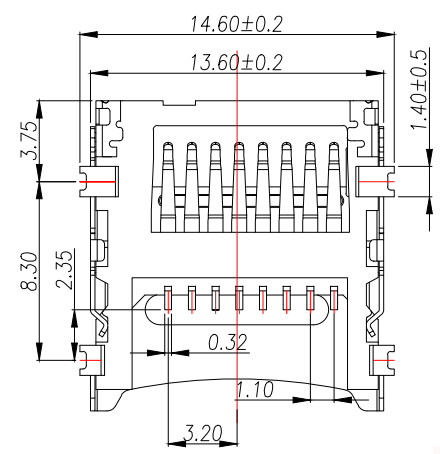
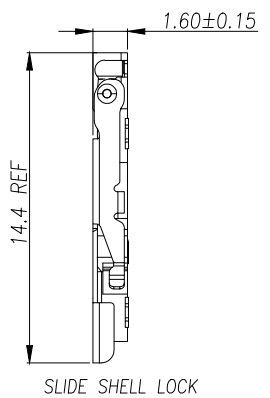
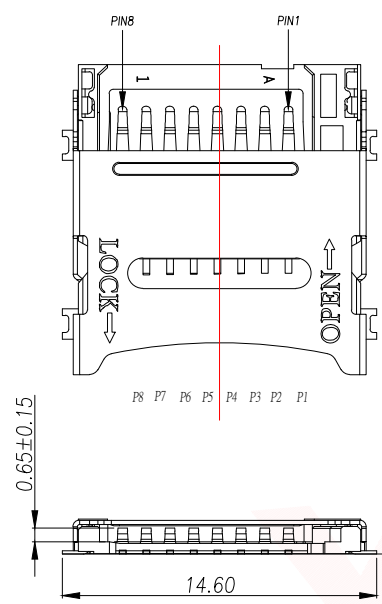


REV.	Q'TY	ECN. NO.	APR.	DATE



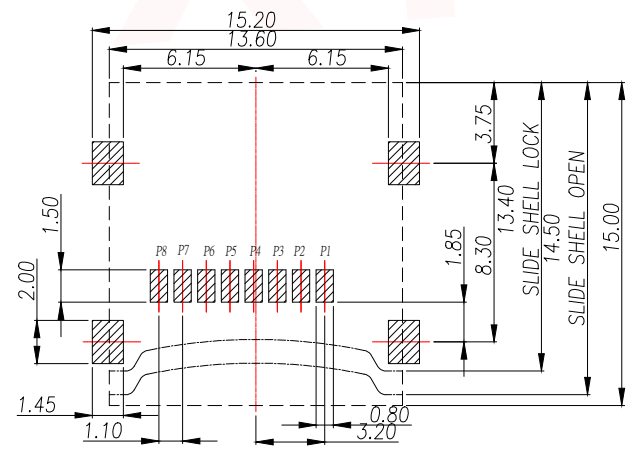
MATERIALS

- 1. HOUSING : HI-TEMP PLASTIC LCP-475
- 2. TERMINAL: COPPER ALLOY.
PLATING: GOLD PLATED ON CONTACT AREA,
G/F GOLD PLATED ON SOLDER TAILS.
- 3. SHELL : STAINLESS STEEL.

SPECIFICATION

- 1. CURRENT RATING : 0.5A MAX.
- 2. DIELECTRIC WITHSTANDING VOLTAGE :
500V AC R.M.S. FOR 1 MINUTE.
- 3. INSULATION RESISTANCE : 100MΩ MIN. AT 500V DC.
- 4. CONTACT RESISTANCE : 50mΩ MAX.
SWITCH RESISTANCE : 100mΩ MAX.
- 5. OPERATING TEMPERATURE : -30°C TO +85°C.

PIN ASSIGNMENT	
P1	DAT2
P2	CD/DAT3
P3	CMD
P4	Vod
P5	CLK
P6	VSS
P7	DAT0
P8	DAT1



RECOMMENDED PCB LAYOUT

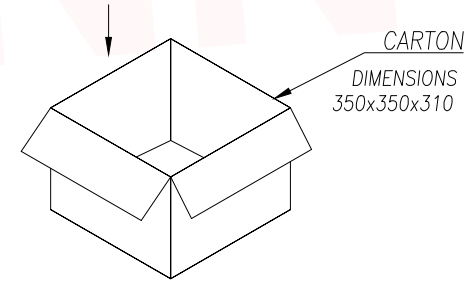
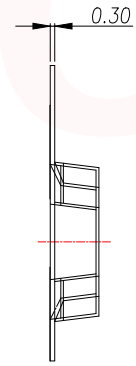
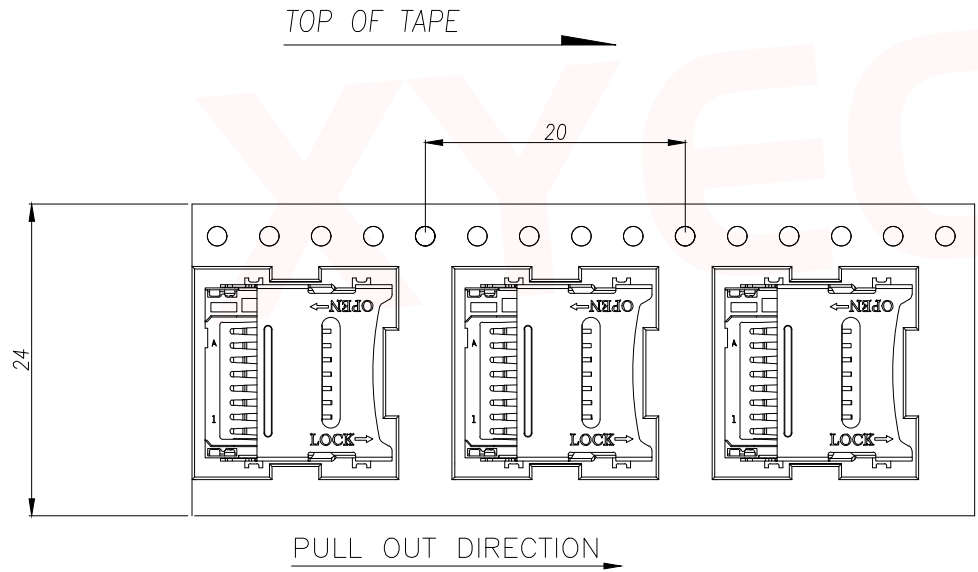
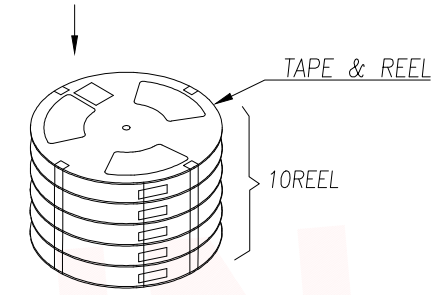
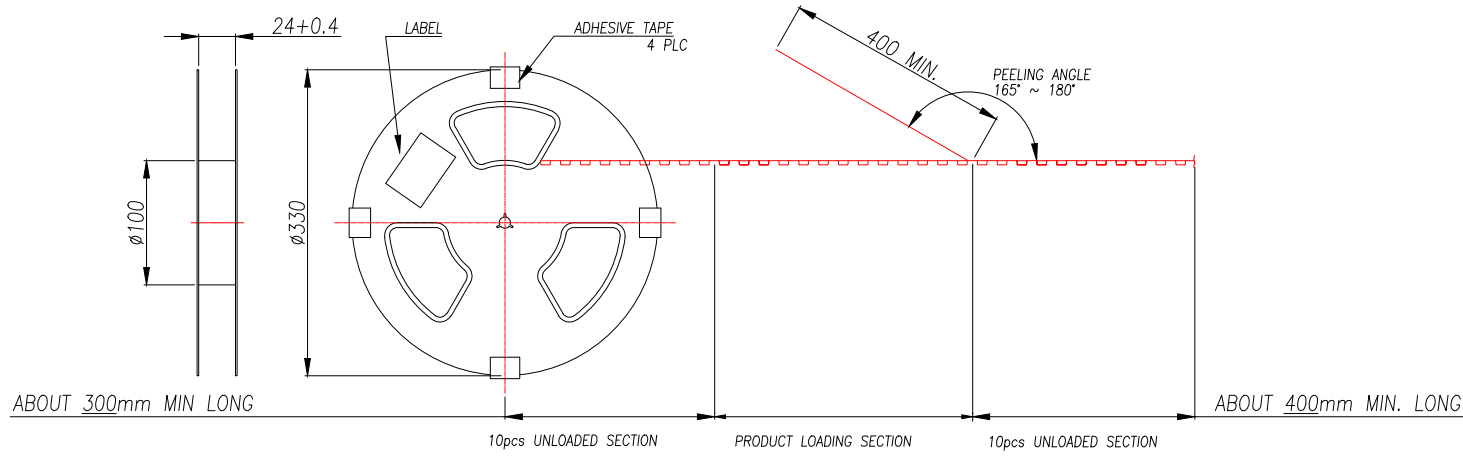
□ 产品外形 ▨ 焊盘

DIMENSION IN mm	
TOLERANCE UNLESS OTHERWISE SPECIFIED	
.X±0.35	X.*± 5°
.XX±0.25	.X°± 3°
.XXX±0.15	.XX°± 1°

厦门市辛译精密电子有限公司
Xiamen XinYi Xyconn Electronics Co.,Ltd

APR.	Alex	TITLE:	1.6H 8PIN HINGE NANO SD CARD CONNECTOR
CHK.	Jack	DWG NO.	TF-04A-FWB8AH1.6
DRA.	Can	PROJ.	CUSTOMER DRAWING
SIZE	A4	SCALE	1:1
SHEET	1/2	REV.	A

REV.	Q'TY	ECN. NO.	APR.	DATE



NOTES:

- 20 SPROCKET HOLE PITCH CUMULATIVE TOLERANCE±0.2.
- MATERIAL: CLARITY CONDUCTIVE POLYSTYRENE ALLOY 100% RECYCLABLE.
- ALL DIMENSIONS MEET EIA-481-3 REQUIREMENTS.
- THICKNESS: 0.25±0.05MM
- COMPONENT LOAD PER 30.2M" REEL: 1000PCS.
- 10REEL/CARTON: 10000PCS

DIMENSION IN mm		厦门市辛译精密电子有限公司 Xiamen XinYi Xyconn Electronics Co.,Ltd			
TOLERANCE UNLESS OTHERWISE SPECIFIED		TITLE: 1.6H 8PIN HINGE NANO SD CARD CONNECTOR			
.X±0.35	X.*± 5'	APR.	Alex	DWG NO. TF-04A-FWB8AH1.6	
.XX±0.25	.X*± 3'	CHK.	Jack	PROJ. CUSTOMER DRAWING	
.XXX±0.15	.XX*± 1'	DRA.	Can	SIZE A4	SCALE 1:1
				SHEET 2/2	REV. A