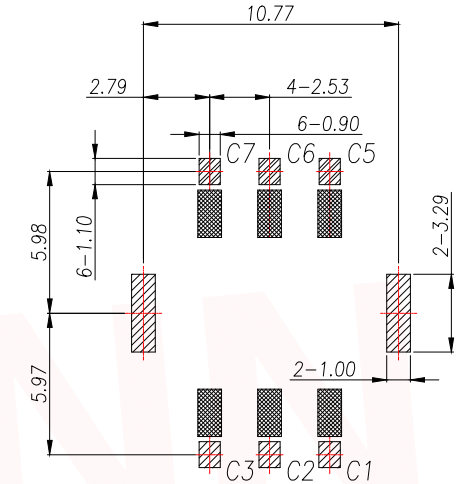
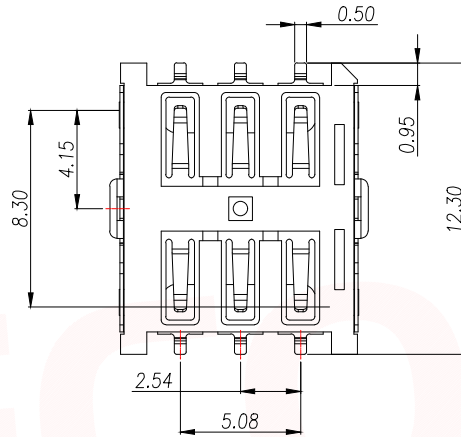
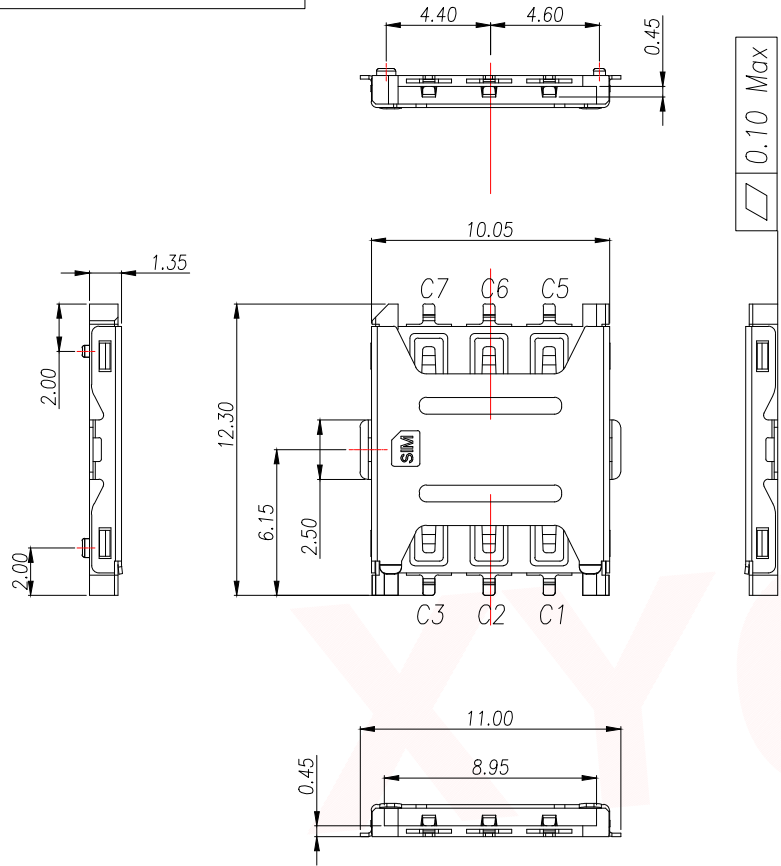




REV.	Q'TY	ECN. NO.	APR.	DATE



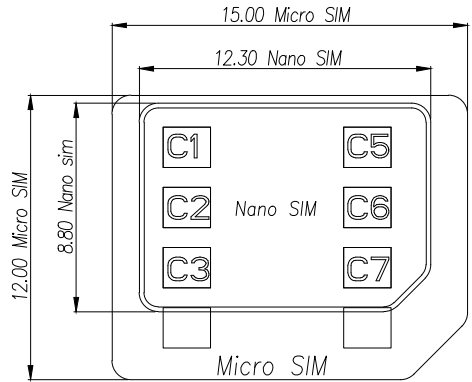
PIIN/NO	ASSIGNMENT
C1	VCC
C2	RST
C3	CLK
C5	GND
C6	VPP
C7	I/O

RECOMMENDED PCB LAYOUT TOP VIEW (TOLERANCE:±0.05)  
 RECOMMENDED MATAL MASK T=0.12mm  
 SMT SOLDER AREA  
 NO PATTERN AND VIA HOLE IN HTIS AREA

PART INSTRUCTIONS:

PART NUMBER	DESCRIPTION
SIM302-CWD6AH1.35	WITH POST
SIM302-CWB6AH1.35	NO POST

- NOTES:
- MATERIAL:
    - Insulator: High Temperature Thermoplastic, UL94V-0; Color Black.
    - Terminal: Copper Alloy.
    - Shell: Stainless Steel.
  - PLATING:
    - Contact: Plated 50u" Ni Overall Contact Au 1u",
    - Shell: Plated 50u" Ni Overall, PAD Au 1u"
  - SPECIALITY:
    - Current Rating :0.5mA AC/DC max.
    - Voltage Rating :125V AC/DC
    - Ambient Temperature Range :-20°C~+60°C
    - Storage Temperature Range :-40°C~+70°C
    - Ambient Humidity Range :95% R.H. Max.
    - Contact Resistance:100mΩ max.
    - Insulation Resistance:1000MΩ min./500VDC
    - Mating Cycles:10,000 Insertions
    - Reflow peak temp.: 260°C ±5°C, 3~5 S
    - Mating Cycles:3,000 Insertions Min
  - PLEASE CONTACT LQ SALES REPRESENTATIVE TO VERIFY PRODUCTDETAILS & AVAILABILITY



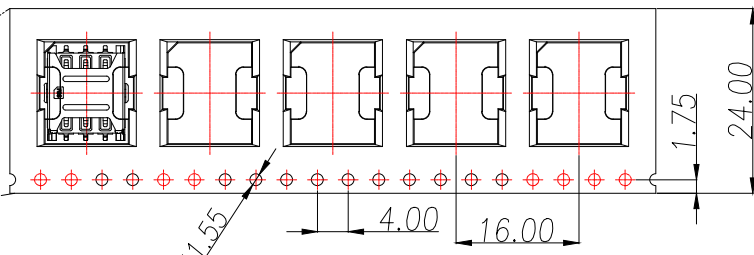
DIMENSION IN mm	
TOLERANCE UNLESS OTHERWISE SPECIFIED	
.X±0.35	X.*± 5'
.XX±0.25	.X*± 3'
.XXX±0.15	.XX*± 1'

厦门市辛译精密电子有限公司  
 Xiamen XinYi Xyecom Electronics Co.,Ltd

APR.	Alex	TITLE:	1.35H 6PIN PUSH PULL NANO SIM CARD CONNECTOR
CHK.	Jack	DWG NO.	SIM302-CWB6AH1.35
DRA.	Can	PROJ.	CUSTOMER DRAWING
SIZE	A4	SCALE	1:1
SHEET	1/2	REV.	A

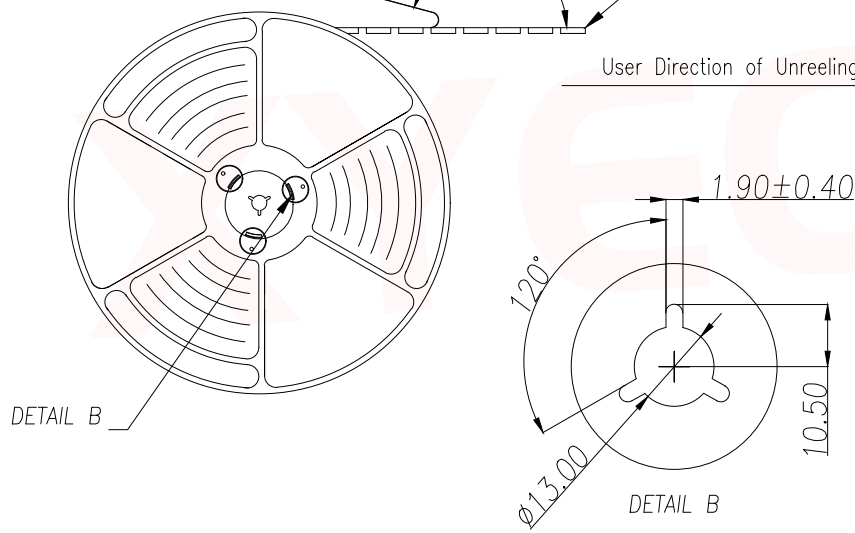
REV.	Q'TY	ECN. NO.	APR.	DATE

User Direction of Unreeling →



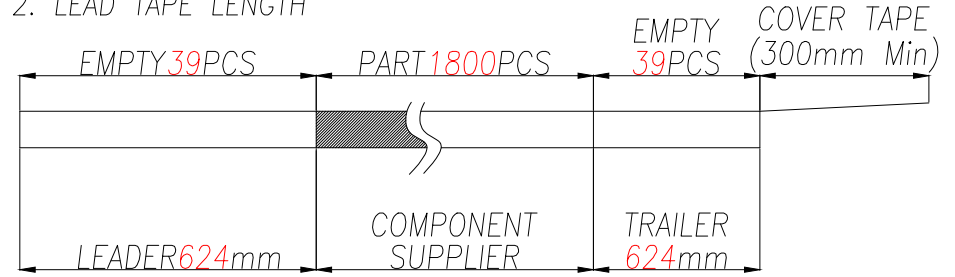
COVER TAPE PEELING ANGLE: 165°~180°  
PEELING FORCE: 20~130g  
CARRIER TAPE

User Direction of Unreeling →



NOTES

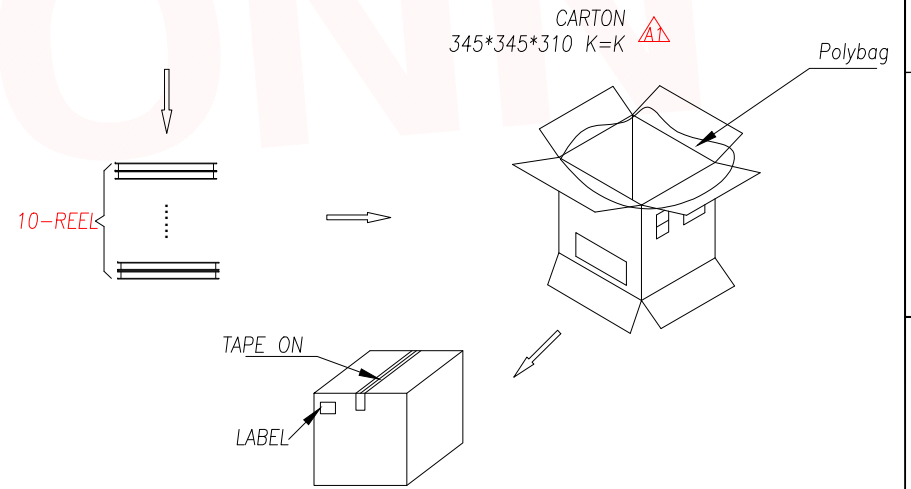
1. NUMBER OF CONNECTORS: 1800PCS/REEL
2. LEAD TAPE LENGTH



3. QUANTITY: 18000PCS/CARTON

4. WEIGHT :

3.1 NET WEIGHT :           Kg  
3.2 GROSS WEIGHT :       Kg



DIMENSION IN mm		厦门市辛译精密电子有限公司 Xiamen XinYi Xyecom Electronics Co.,Ltd		
TOLERANCE UNLESS OTHERWISE SPECIFIED		TITLE: 1.35H 6PIN PUSH PULL NANO SIM CARD CONNECTOR		
.X±0.35	X.*± 5°	APR.	Alex	DWG NO. SIM302-CWB6AH1.35
.XX±0.25	.X.*± 3°	CHK.	Jack	PROJ.  CUSTOMER DRAWING
.XXX±0.15	.XX.*± 1°	DRA.	Can	SIZE A4 SCALE 1:1 SHEET 2/2 REV. A