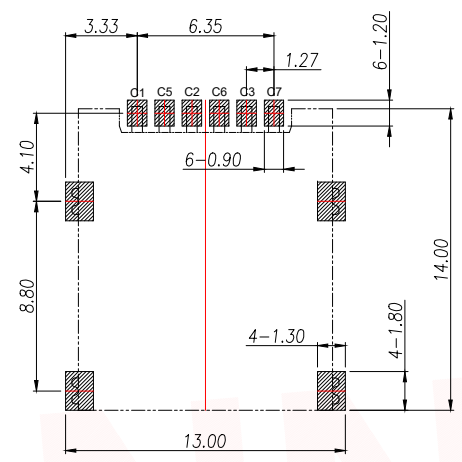
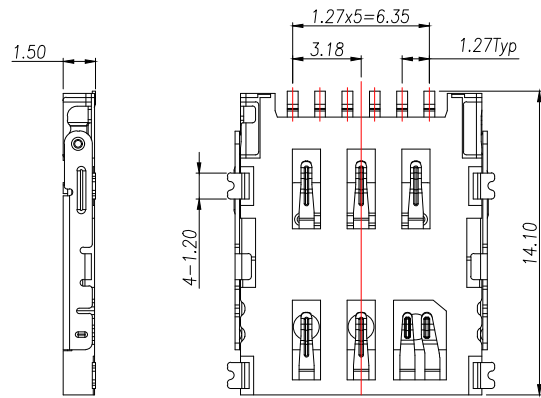
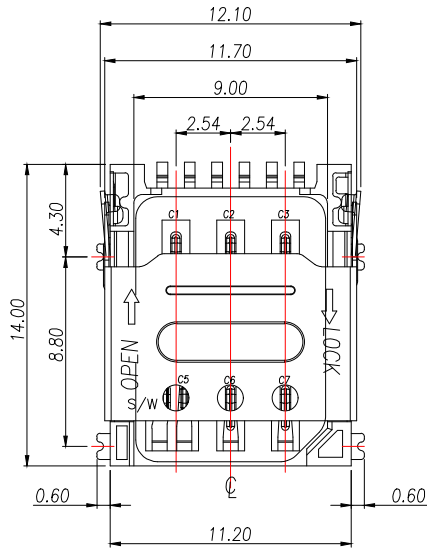
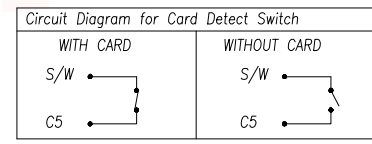


REV.	Q'TY	ECN. NO.	APR.	DATE



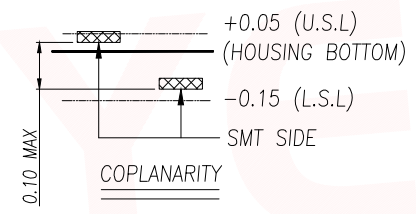
RECOMMENDED PCB LAYOUT TOP VIEW (TOLERANCE:±0.05)
RECOMMENDED METAL MASK T=0.12mm

- SMT SOLDER AREA
- NO PATTERN AND VIA HOLE IN HTIS AREA

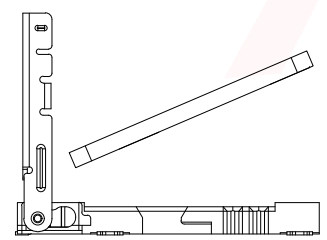


PART INSTRUCTIONS:

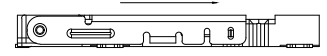
PART NUMBER	DESCRIPTION
305-FWB6AH1.5	6PIN
305-FYB7AH1.5	6+1PIN



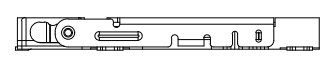
NANO SIM CARD	
Pin No.	NAME
C1	VCC
C2	RST
C3	CLK
C5	GND
C6	VPP
C7	I/O
S/W	Switch Pin



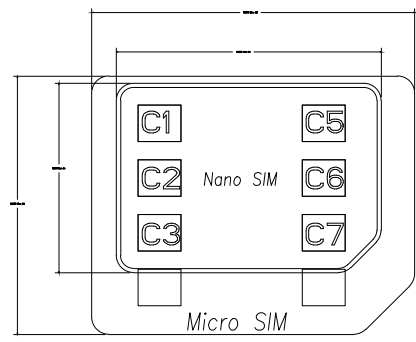
STEP 1 INSERT Micro-SIM CARD



STEP 2 PUSH THE SHELL



STEP 3 FINISH

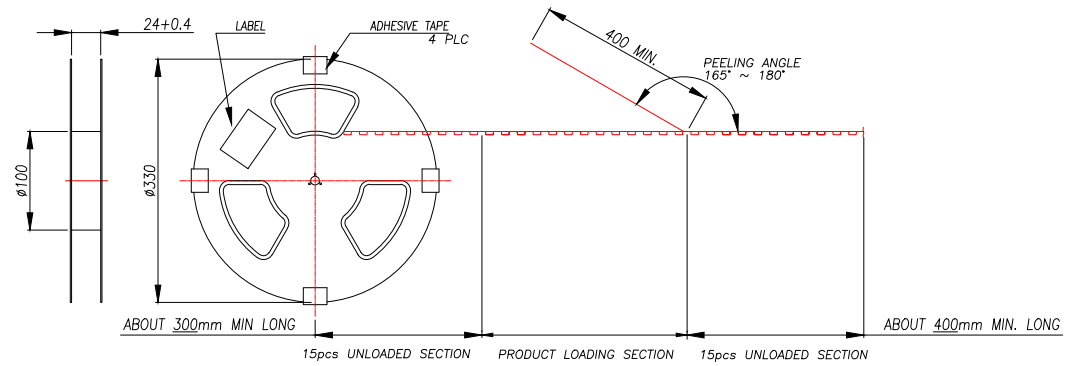


DIMENSION IN mm	
TOLERANCE UNLESS OTHERWISE SPECIFIED	
.X±0.35	X.*± 5'
.XX±0.25	.X.*± 3'
.XXX±0.15	.XX.*± 1'

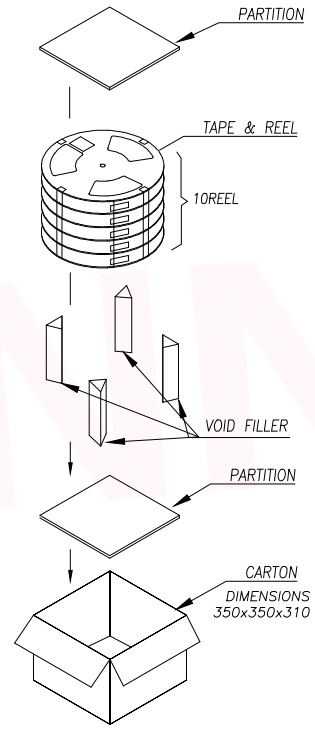
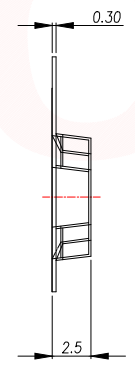
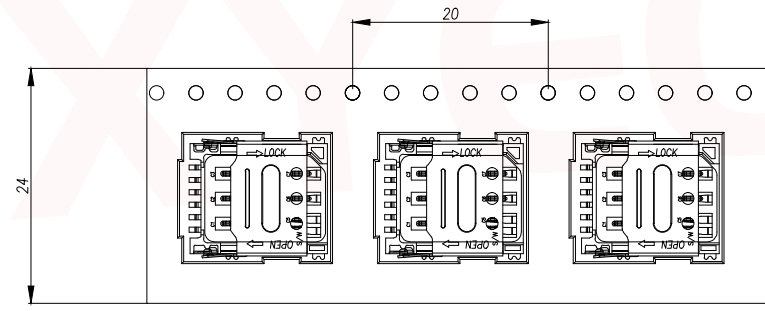
厦门市辛译精密电子有限公司
Xiamen XinYi Xyecom Electronics Co.,Ltd

APR. Alex	TITLE: 1.5H 6+1PIN HINGE NANO SIM CARD CONNECTOR
CHK. Jack	DWG NO. SIM301-FYB7AH1.5
DRA. Can	PROJ. CUSTOMER DRAWING
SIZE A4	SCALE 1:1
SHEET 1/2	REV. A

REV.	Q'TY	ECN. NO.	APR.	DATE



TOP OF TAPE



NOTES:

- 15 SPROCKET HOLE PITCH CUMULATIVE TOLERANCE±0.2.
- MATERIAL: CLARITY CONDUCTIVE POLYSTYRENE ALLOY
100% RECYCLABLE.
- ALL DIMENSIONS MEET EIA-481-3 REQUIREMENTS.
- THICKNESS: 0.30±0.05MM
- COMPONENT LOAD PER 30.6M" REEL: 1500PCS.
- 10REEL/CARTON: 15000pcs

DIMENSION IN mm		厦门市辛译精密电子有限公司 Xiamen XinYi Xyconn Electronics Co.,Ltd		
TOLERANCE UNLESS OTHERWISE SPECIFIED				
.X±0.35	X.*± 5'	APR.	Alex	TITLE: 1.5H 6+1PIN HINGE NANO SIM CARD CONNECTOR
.XX±0.25	.X*± 3'	CHK.	Jack	DWG NO. SIM301-FYB7AH1.5
.XXX±0.15	.XX*± 1'	DRA.	Can	PROJ. CUSTOMER DRAWING
SIZE A4	SCALE 1:1	SHEET 2/2	REV. A	