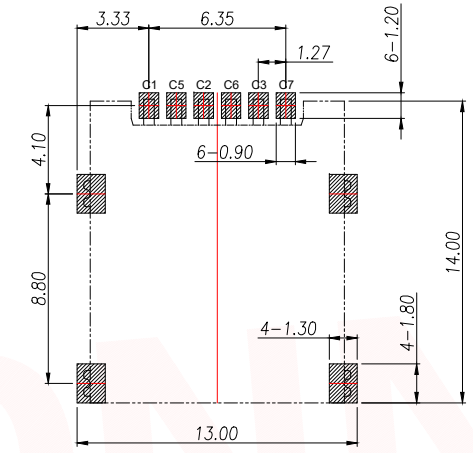
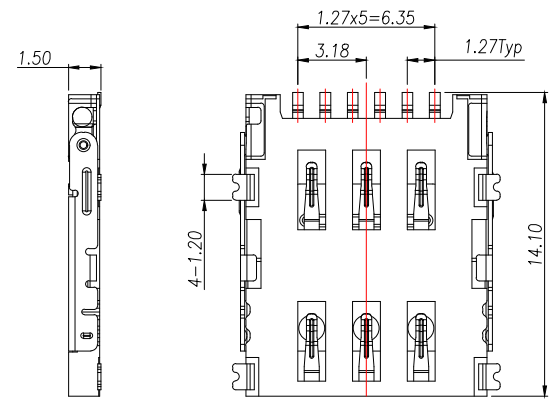
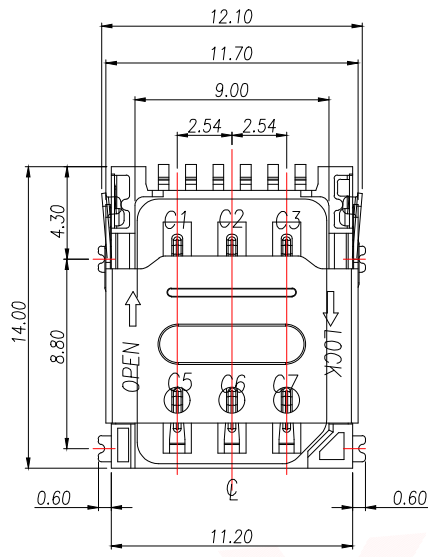


REV.	Q'TY	ECN. NO.	APR.	DATE

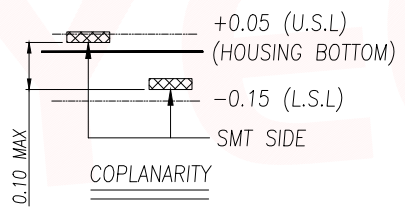


RECOMMENDED PCB LAYOUT TOP VIEW (TOLERANCE:±0.05)
RECOMMENDED MATAL MASK T=0.12mm

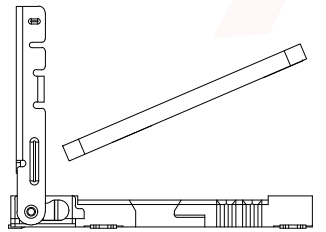
- SMT SOLDER AREA
- NO PATTERN AND VIA HOLE IN HTIS AREA

PART INSTRUCTIONS:

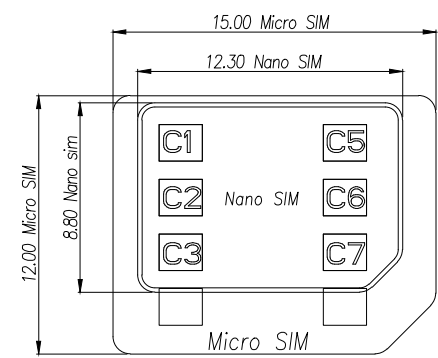
PART NUMBER	DESCRIPTION
SIM301-FWB6AH1.5	6PIN
SIM301-FWB7AH1.5	6+1PIN



SIM CARD	
Pin No.	NAME
C1	VCC
C2	RST
C3	CLK
C5	GND
C6	VPP
C7	I/O



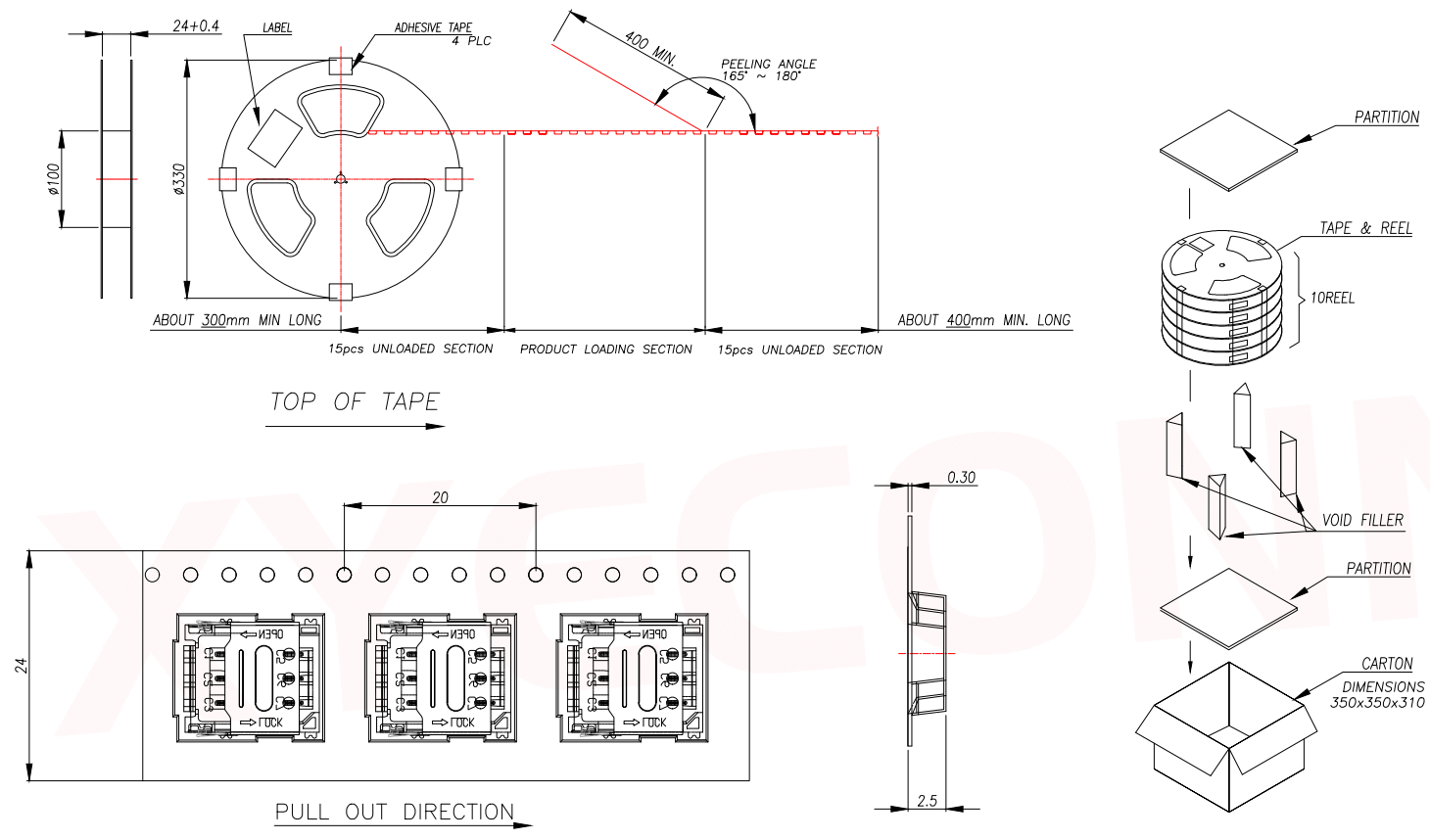
STEP 1 INSERT Micro-SIM CARD
STEP 2 PUSH THE SHELL
STEP 3 FINISH



DIMENSION IN mm	
TOLERANCE UNLESS OTHERWISE SPECIFIED	
.X±0.35	X.*± 5°
.XX±0.25	.X*± 3°
.XXX±0.15	.XX*± 1°

厦门市辛译精密电子有限公司
Xiamen XinYi Xyecom Electronics Co.,Ltd

APR. Alex	TITLE: 1.5H 6PIN HINGE NANO SIM CARD CONNECTOR
CHK. Jack	DWG NO. SIM301-FYB6AH1.5
DRA. Can	PROJ. CUSTOMER DRAWING
SIZE A4	SCALE 1:1
SHEET 1/2	REV. A



- NOTES:
1. 15 SPROCKET HOLE PITCH CUMULATIVE TOLERANCE±0.2.
 2. MATERIAL: CLARITY CONDUCTIVE POLYSTYRENE ALLOY
100% RECYCLABLE.
 3. ALL DIMENSIONS MEET EIA-481-3 REQUIREMENTS.
 4. THICKNESS: 0.30±0.05MM
 5. COMPONENT LOAD PER 30.6" REEL: 1500PCS.
 6. 10REEL/CARTON: 15000pcs

DIMENSION IN mm		厦门市辛译精密电子有限公司 Xiamen XinYi Xyconn Electronics Co.,Ltd		
TOLERANCE UNLESS OTHERWISE SPECIFIED				
.X±0.35	X.*± 5°	APR.	Alex	TITLE: 1.5H 6PIN HINGE NANO SIM CARD CONNECTOR
.XX±0.25	.X.*± 3°	CHK.	Jack	DWG NO. SIM301-FYB6AH1.5
.XXX±0.15	.XX.*± 1°	DRA.	Can	PROJ. CUSTOMER DRAWING
		SIZE A4	SCALE 1:1	SHEET 2/2
				REV. A