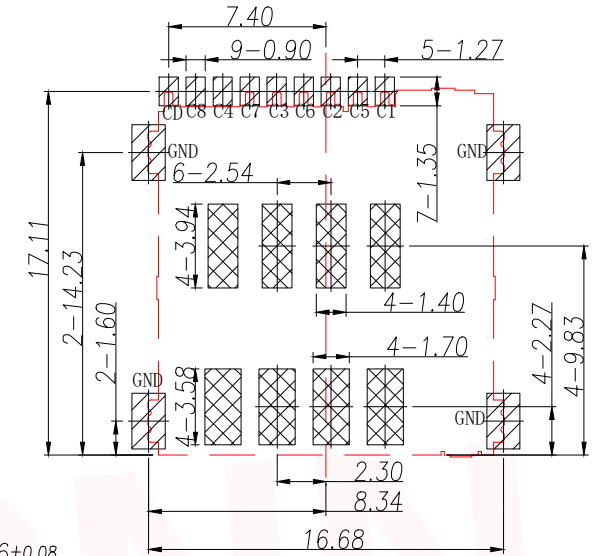
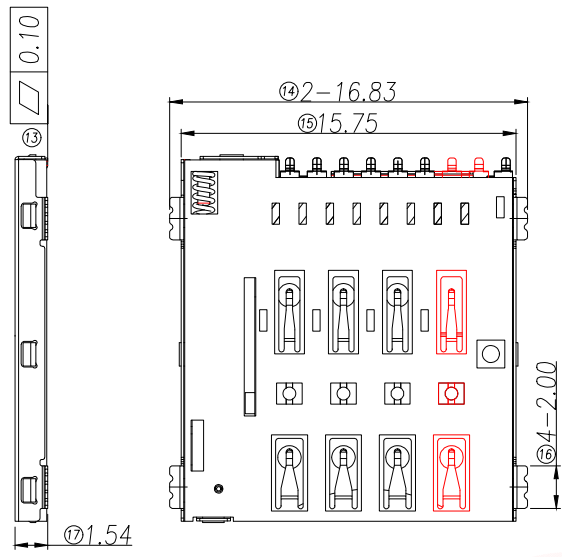
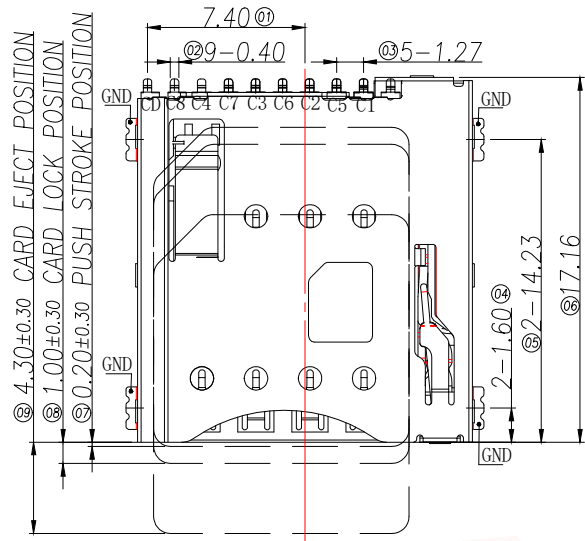
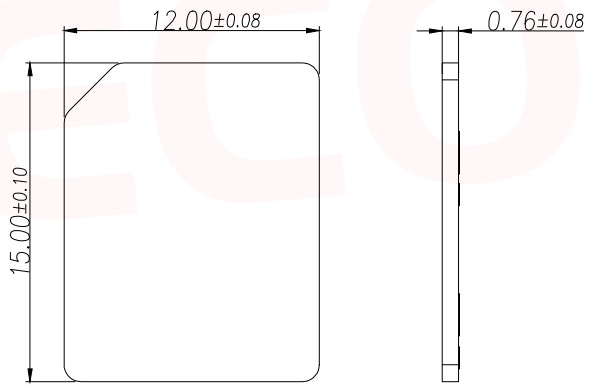
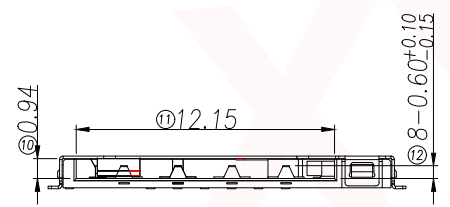
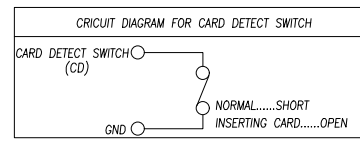


REV.	Q'TY	ECN. NO.	APR.	DATE



RECOMMENDED PCB LAYOUT
 TOLERANCE: ±0.05

SMT SOLDER AREA
 COPPER RESTRICTED AREA
 1. TOUCH AREA OF CONTACT TIPS NO ELECTRICAL FUNCTION
 2. NO FIRST PCB_LAYOUT CIRCUITS IN THE AREA



Notes:

- Material:
 Housing: High Temperature Thermoplastic
 Terminal: Copper Alloy
 Shell: Stainless Steel
- Plating:
 Terminal: 50u" Ni Underplated Overall
 G/F Plated On Contact Area
 G/F Plated On Solder Area
 Shell: 30u" Ni Underplated Overall
 G/F Plated On Contact Area And older Area
- Technical Speciality:
 Rated Voltage: 30V
 Current Rating: 0.5A
 Insulation Resistance: 1000MΩ Min.
 Contact Resistance: 100mΩ Max.
 Withstanding Voltage: 500V DC FOR 1 Minutes.
 Operating Temperature: -20℃~+85℃ Humidity 80% R.H Max.

PIN/NO	ASSIGNMENT
C1	VCC
C2	RST
C3	CLK
CD	Detect Switch
C5	GND
C6	VPP
C7	I/O

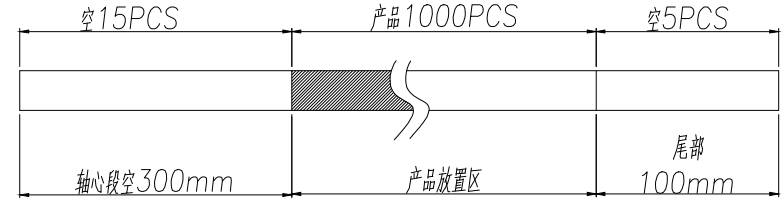
DIMENSION IN mm		TOLERANCE UNLESS OTHERWISE SPECIFIED		APR. Alex		TITLE: 1.5H 8+1PIN PUSH PUSH MICRO SIM CARD CONNECTOR	
.X±0.35	X.*± 5°	CHK.	Jack	DWG NO. SIM204-ZYB9AH1.5			
.XX±0.25	.X.*± 3°	DRA.	Can	PROJ.		CUSTOMER DRAWING	
.XXX±0.15	.XX.*± 1°			SIZE A4	SCALE 1:1	SHEET 1/2	REV. A

厦门市辛译精密电子有限公司
 Xiamen XinYi Xyecom Electronics Co.,Ltd

REV.	Q'TY	ECN. NO.	APR.	DATE

NOTES

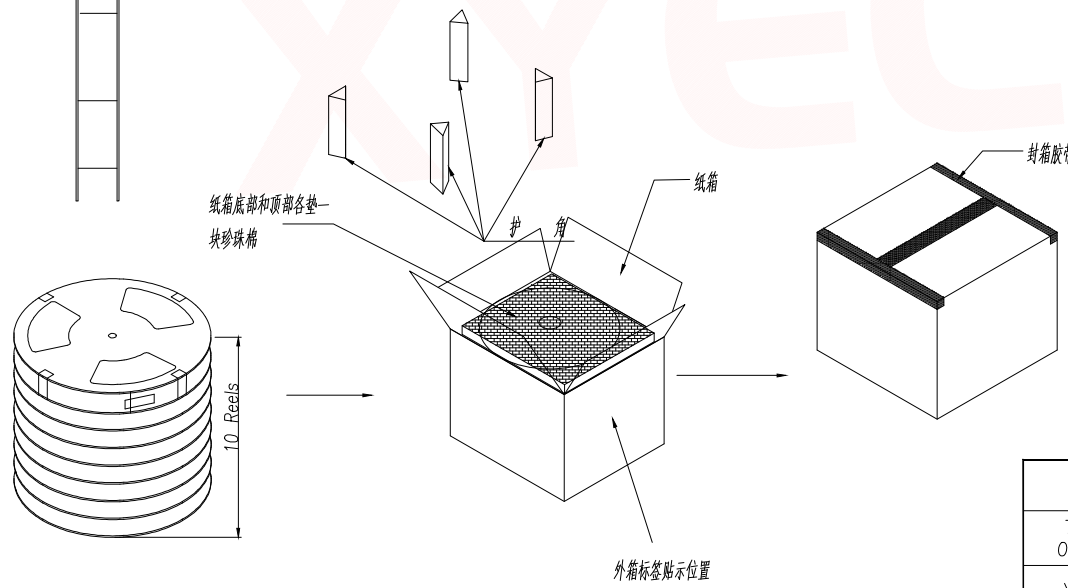
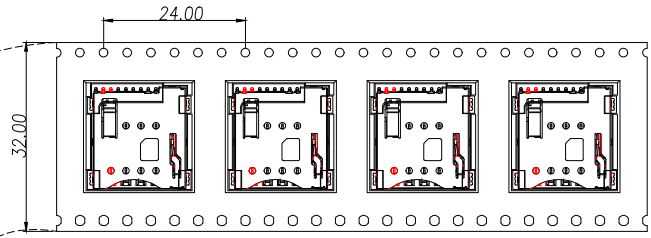
- 1.每卷包装数量:1000PCS/每卷
- 2.卷带包装方式:



- 3.每箱包装数量:10000PCS/箱
- 4.纸箱350mm*350mm*440mm(内部尺寸),材质K=K

A
B
C
D
E
F

A
B
C
D
E
F



将10卷产品放入箱内

DIMENSION IN mm		厦门市辛译精密电子有限公司 Xiamen XinYi Xyconn Electronics Co.,Ltd		
TOLERANCE UNLESS OTHERWISE SPECIFIED				
.X±0.35	X.*±5°	APR.	Alex	TITLE: 1.5H 8+1PIN PUSH PUSH MICRO SIM CARD CONNECTOR
.XX±0.25	.X*±3°	CHK.	Jack	DWG NO. SIM204-ZYB9AH1.5
.XXX±0.15	.XX*±1°	DRA.	Can	PROJ. CUSTOMER DRAWING
SIZE A4	SCALE 1:1	SHEET 2/2	REV. A	