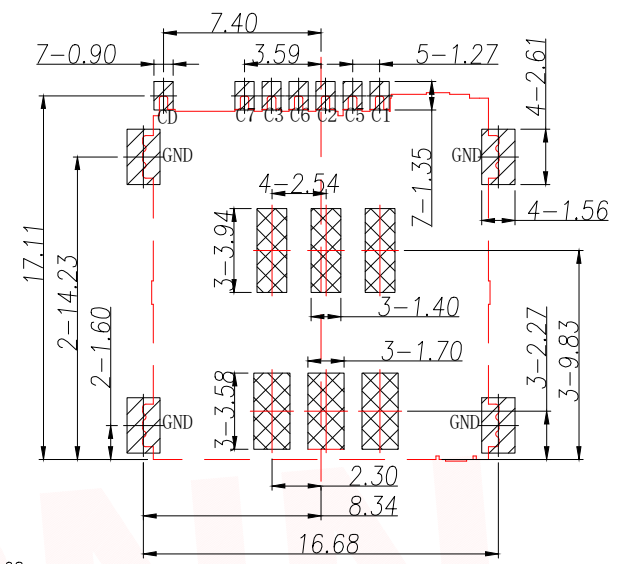
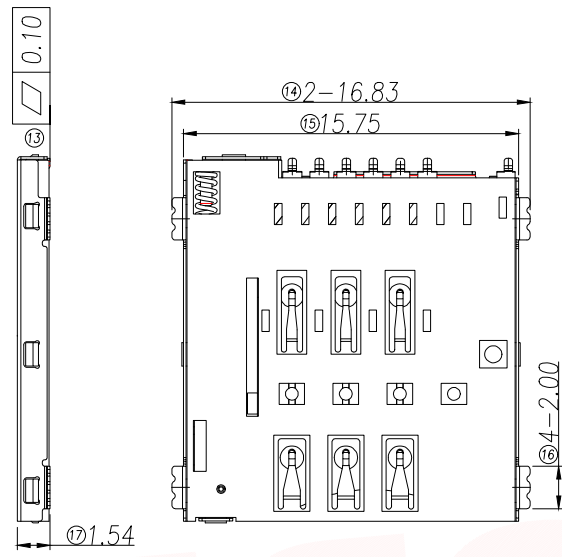
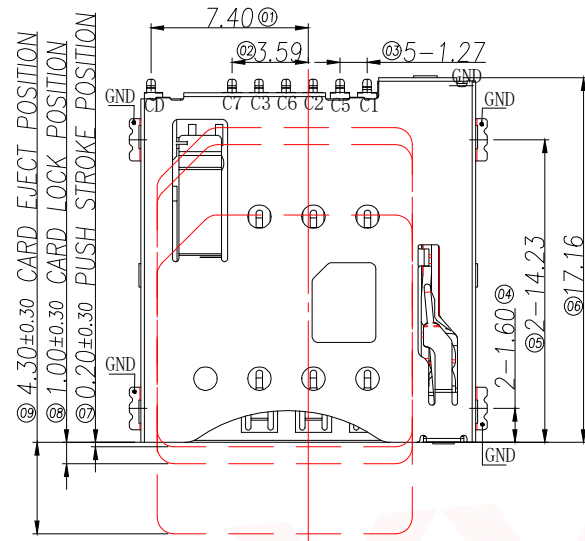


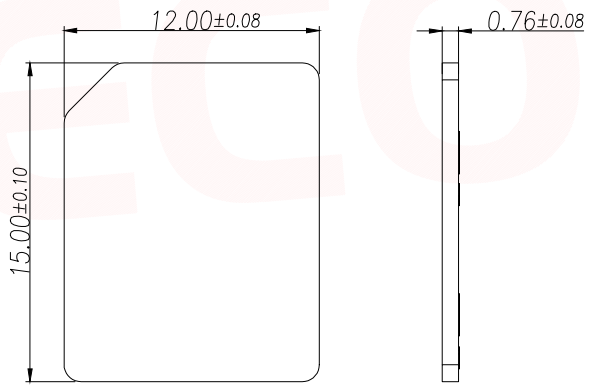
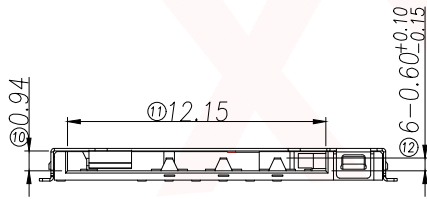
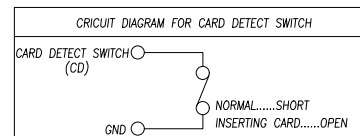
REV.	Q'TY	ECN. NO.	APR.	DATE



RECOMMENDED PCB LAYOUT

TOLERANCE: ±0.05

- ▨ SMT SOLDER AREA
- ▩ COPPER RESTRICTED AREA
- 1. TOUCH AREA OF CONTACT TIPS NO ELECTRICAL FUNCTION
- 2. NO FIRST PCB_LAYOUT CIRCUITS IN THE AREA



Notes:

- Material:
 - Housing: High Temperature Thermoplastic
 - Terminal: Copper Alloy
 - Shell: Stainless Steel
- Plating:
 - Terminal: 50u" Ni Underplated Overall
 - G/F Plated On Contact Area
 - G/F Plated On Solder Area
 - Shell: 30u" Ni Underplated Overall
 - G/F Plated On Contact Area And older Area
- Technical Speciality:
 - Rated Voltage: 30V
 - Current Rating: 0.5A
 - Insulation Resistance: 1000MΩ Min.
 - Contact Resistance: 100mΩ Max.
 - Withstanding Voltage: 500V DC FOR 1 Minutes.
 - Operating Temperature: -20℃~+85℃ Humidity 80% R.H Max.

PIN/NO	ASSIGNMENT
C1	VCC
C2	RST
C3	CLK
CD	Detect Switch
C5	GND
C6	VPP
C7	I/O

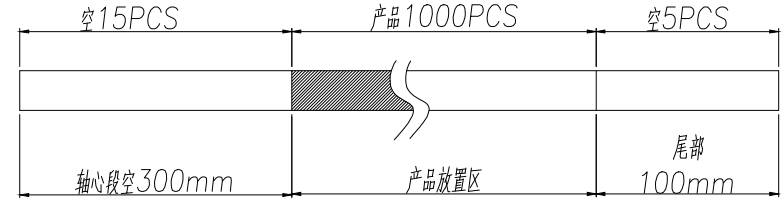
DIMENSION IN mm		TOLERANCE UNLESS OTHERWISE SPECIFIED		APR. Alex		TITLE: 1.5H 6+1PIN PUSH PUSH MICRO SIM CARD CONNECTOR	
.X±0.35	X.*± 5'	CHK. Jack	DWG NO. SIM204-ZYB7AH1.5	PROJ.		CUSTOMER DRAWING	
.XX±0.25	.X.*± 3'	DRA. Can	SIZE A4	SCALE 1:1	SHEET 1/2	REV. A	
.XXX±0.15	.XX.*± 1'						

厦门市辛译精密电子有限公司
 Xiamen XinYi Xyecom Electronics Co.,Ltd

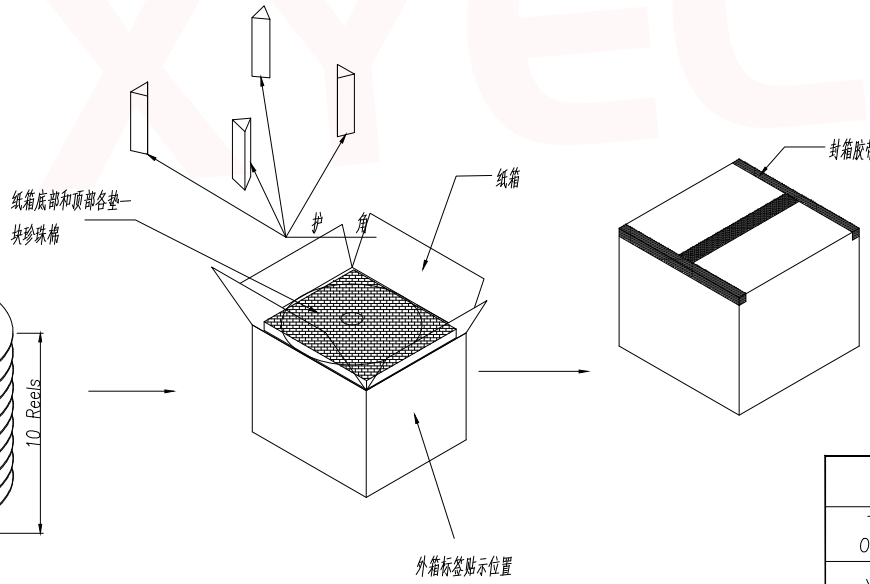
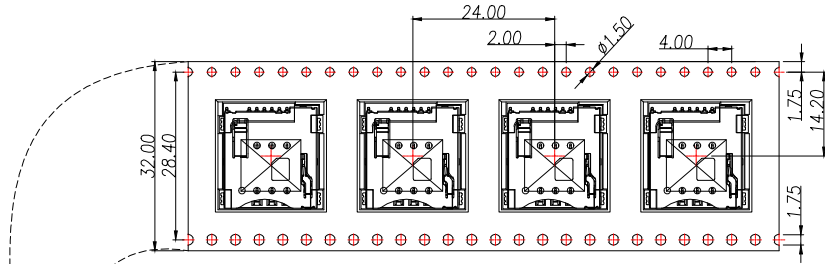
REV.	Q'TY	ECN. NO.	APR.	DATE

NOTES

- 1.每卷包装数量:1000PCS/每卷
- 2.卷带包装方式:



- 3.每箱包装数量:10000PCS/箱
- 4.纸箱350mm*350mm*440mm(内部尺寸),材质K=K



将10卷产品放入箱内

DIMENSION IN mm		厦门市辛译精密电子有限公司 Xiamen XinYi Xyconn Electronics Co.,Ltd		
TOLERANCE UNLESS OTHERWISE SPECIFIED				
.X±0.35	X.*±5°	APR. Alex	TITLE: 1.5H 6+1PIN PUSH PUSH MICRO SIM CARD CONNECTOR	
.XX±0.25	.X.*±3°	CHK. Jack	DWG NO. SIM204-ZYB7AH1.5	
.XXX±0.15	.XX.*±1°	DRA. Can	PROJ.	CUSTOMER DRAWING
SIZE A4	SCALE 1:1	SHEET 2/2	REV. A	