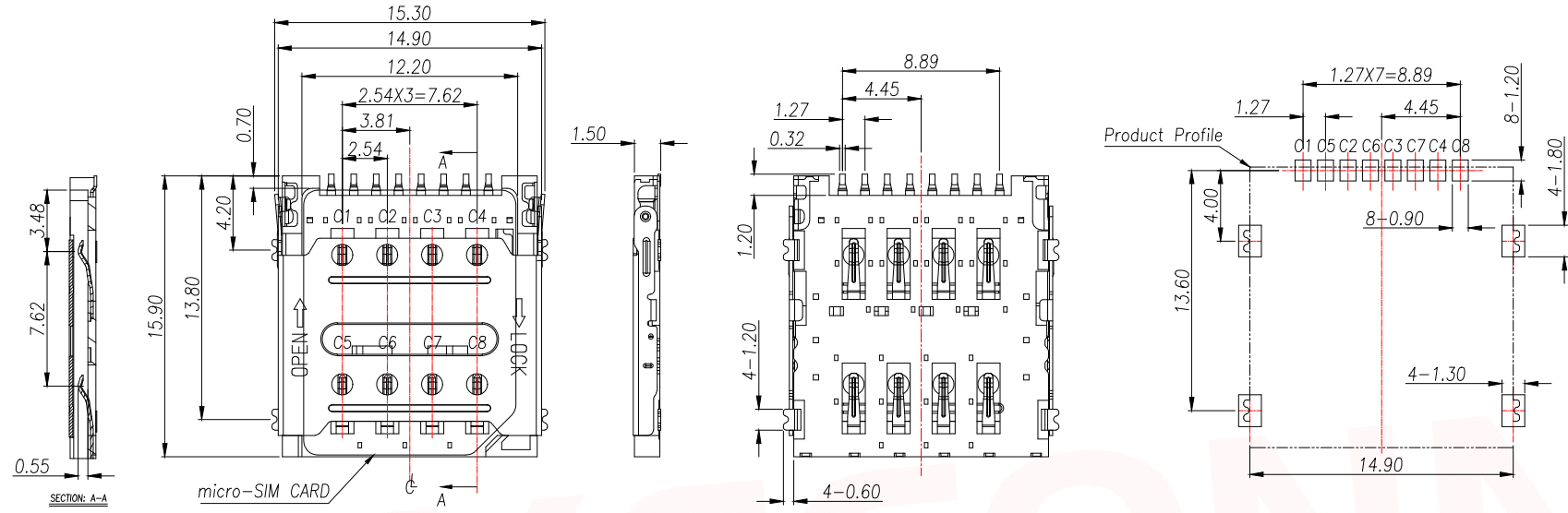


REV.	Q'TY	ECN. NO.	APR.	DATE

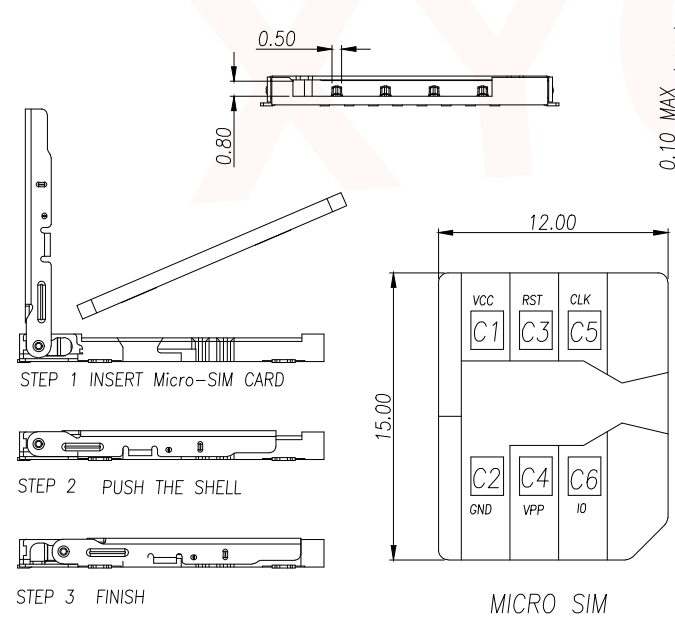


RECOMMENDED PCB LAYOUT TOP VIEW (TOLERANCE:±0.05)
 RECOMMENDED METAL MASK T=0.12mm

NOTES:

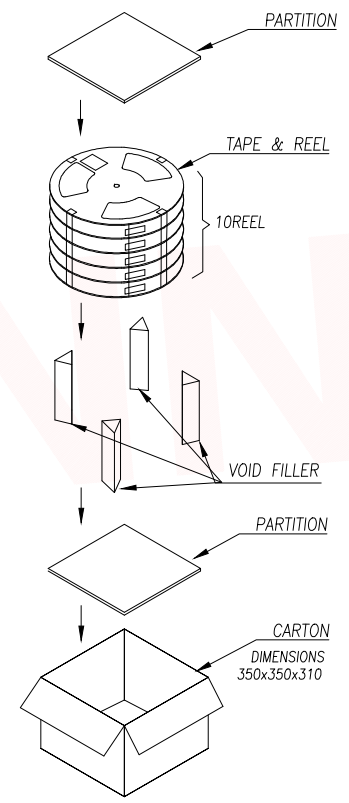
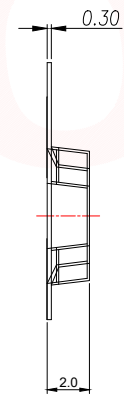
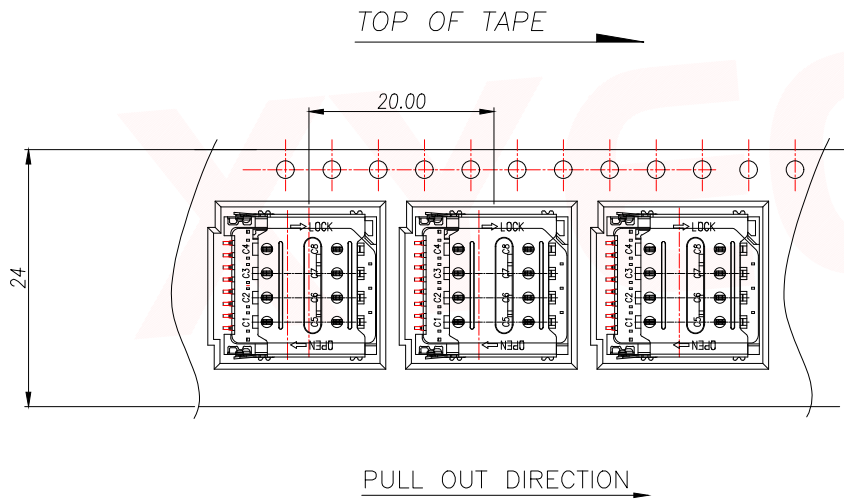
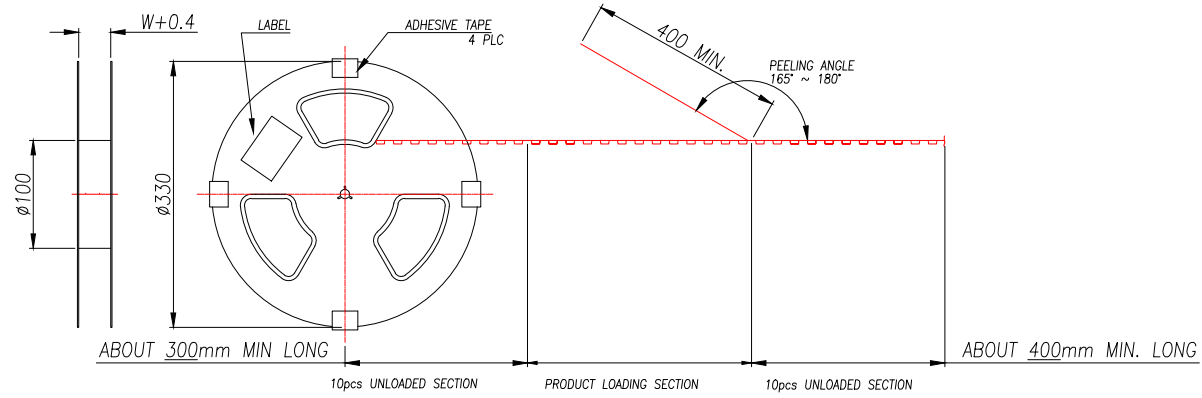
- ELECTRICAL CHARACTERISTICS
 - 1-1. CONTACT RESISTANCE: 60 Milliohms Max
 - 1-2. INSULATION RESISTANCE: 1,000 Megohms Min.
 - 1-3. DIELECTRIC WITHSTANDING VOLTAGE: 500V AC FOR 1 MINUTE.
- MECHANICAL CHARACTERISTICS
 - 2-1. OPERATION TEMPERATURE RANGE: -25°C~+70°C
 - 2-2. DURABILITY: 5000 CYCLES
- MATERIAL:
 - 3-1. HOUSING: THERMOPLASTIC,UL 94-V0
 - 3-2. TERMINAL: PHOSPHOR BRONZE,T=0.15
 - 3-3. SHELL: STAINLESS STEEL,T=0.15
- FINISHED:
 - 4-1. TERMINAL: Ni PLATED UNDER,Au PLATED ON CONTACT AREA,G/F PLATED ON SOLDER TAIL
 - 4-2. SHELL: Ni PLATED UNDER,G/F PLATED ON SOLDER TAIL

SIM CARD	
Pin No.	NAME
C1	VCC
C2	RST
C3	CLK
C4	RESERVED
C5	GND
C6	VPP
C7	I/O
C8	RESERVED




DIMENSION IN mm		厦门市辛译精密电子有限公司 Xiamen XinYi Xyconn Electronics Co.,Ltd			
TOLERANCE UNLESS OTHERWISE SPECIFIED					
.X±0.35	X.*± 5°	APR.	Alex	TITLE: 1.5H 8PIN HINGE MICRO SIM CARD CONNECTOR	
.XX±0.25	.X.*± 3°	CHK.	Jack	DWG NO. SIM203-FYB8AH1.5	
.XXX±0.15	.XX.*± 1°	DRA.	Can	PROJ.	CUSTOMER DRAWING
		SIZE	A4	SCALE	1:1
		SHEET	1/2	REV.	A

REV.	Q'TY	ECN. NO.	APR.	DATE



- NOTES:
1. 10 SPROCKET HOLE PITCH CUMULATIVE TOLERANCE ± 0.2 .
 2. CARRIER CAMBER IS WITHIN 1 MM IN 250MM.
 3. MATERIAL: CLARITY CONDUCTIVE POLYSTYRENE ALLOY 100% RECYCLABLE.
 4. ALL DIMENSIONS MEET EIA-481-3 REQUIREMENTS.
 5. THICKNESS: 0.30 ± 0.05 MM
 6. COMPONENT LOAD PER 13" REEL: 1000PCS.
 7. 10REEL/CARTON: 10000PCS

DIMENSION IN mm		厦门市辛译精密电子有限公司 Xiamen XinYi Xyconn Electronics Co.,Ltd			
TOLERANCE UNLESS OTHERWISE SPECIFIED					
.X ± 0.35	X.* $\pm 5^\circ$	APR.	Alex	TITLE: 1.5H 8PIN HINGE MICRO SIM CARD CONNECTOR	
.XX ± 0.25	.X.* $\pm 3^\circ$	CHK.	Jack	DWG NO. SIM203-FYB8AH1.5	
.XXX ± 0.15	.XX.* $\pm 1^\circ$	DRA.	Can	PROJ. 	CUSTOMER DRAWING
		SIZE A4	SCALE 1:1	SHEET 2/2	REV. A