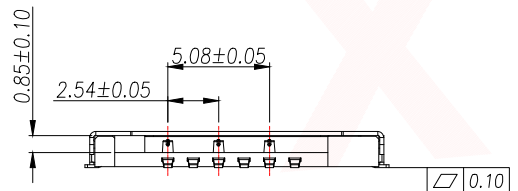
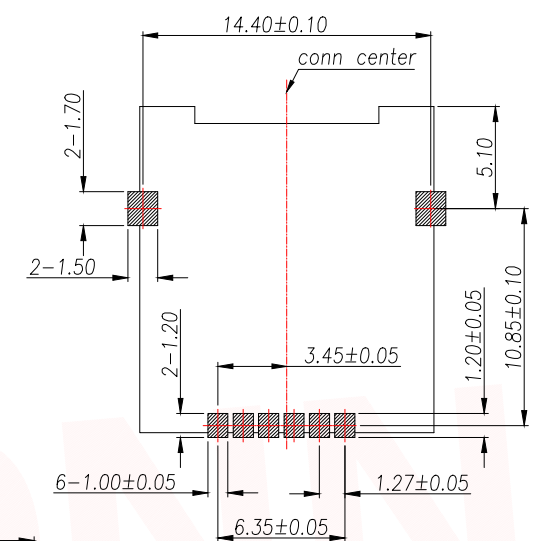
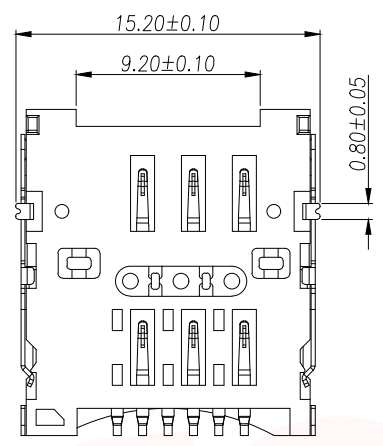
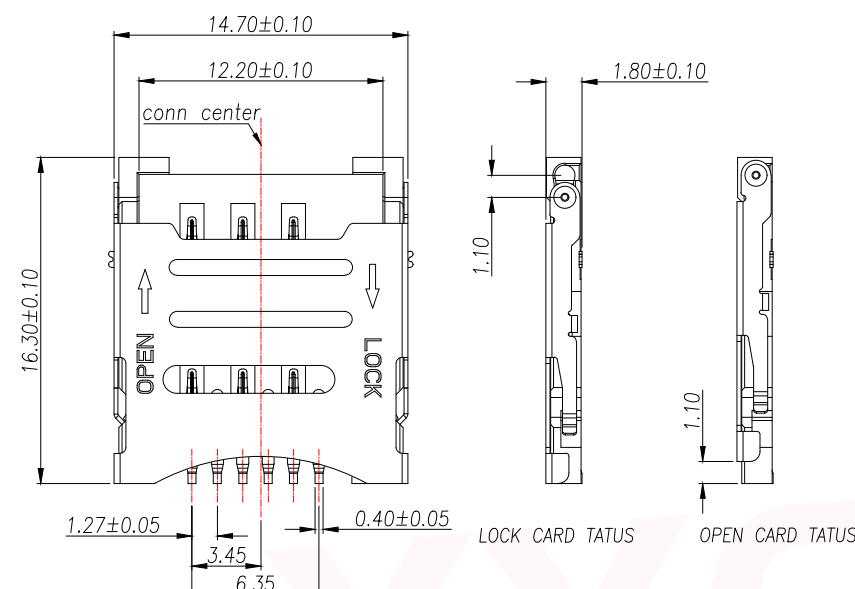
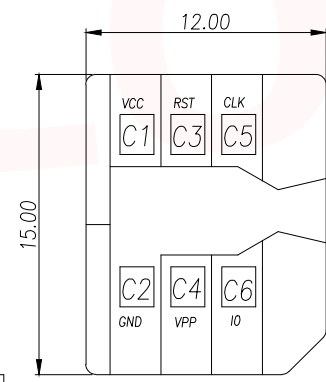


REV.	Q'TY	ECN. NO.	APR.	DATE



PIN NO.	NAME	PIN NO.	NAME
C1	VCC	C4	VPP
C2	GND	C5	CLK
C3	RST	C6	IO

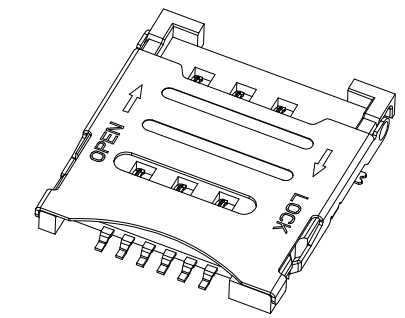


- NOTES:
- ELECTRICAL CHARACTERISTICS
 - CONTACT RESISTANCE: 60 Milliohms Max
 - INSULATION RESISTANCE: 1,000 Megohms Min.
 - VOLTAGE RATING: 50V.
 - CURRENT RATING: 1.0A.
 - MECHANICAL CHARACTERISTICS
 - OPERATION TEMPERATURE RANGE: -20°C~+85°C
 - DURABILITY: 5000 CYCLES
 - MATERIAL:
 - HOUSING: THERMOPLASTIC,UL 94-V0
 - TERMINAL: PHOSPHOR BRONZE,T=0.15mm
 - SHELL: STAINLESS STEEL,T=0.20mm
 - FINISHED:
 - TERMINAL: Ni PLATED UNDER, 3U" Au MIN PLATED ON CONTACT AREA,AU PLATED ON SOLDER TAIL
 - SHELL: Ni PLATED UNDER,G/F PLATED ON SOLDER TAIL

PART INSTRUCTIONS:

PART NUMBER	DESCRIPTION
SIM201-FWB6AH1.5	H1.5
SIM201-FWB6AH1.8	H1.8

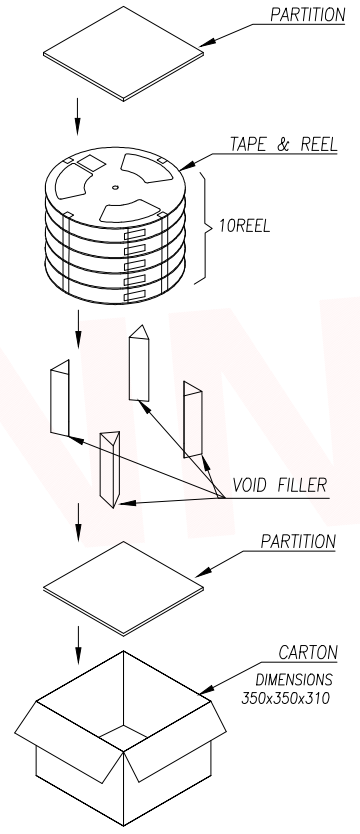
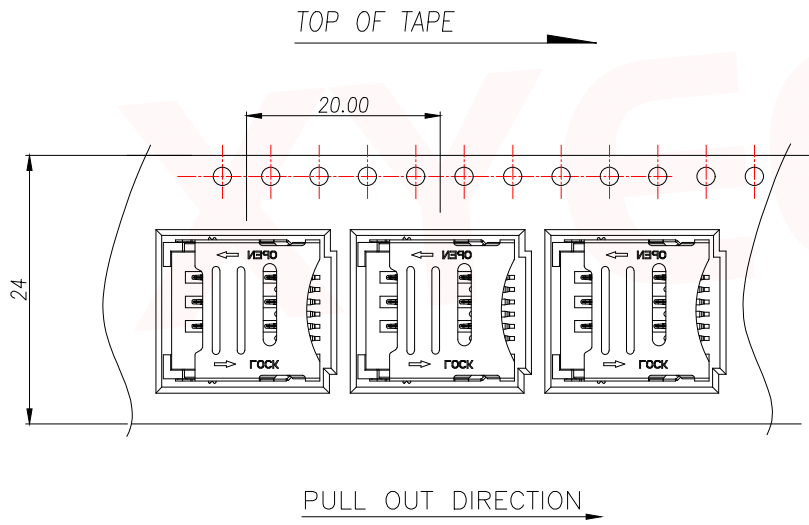
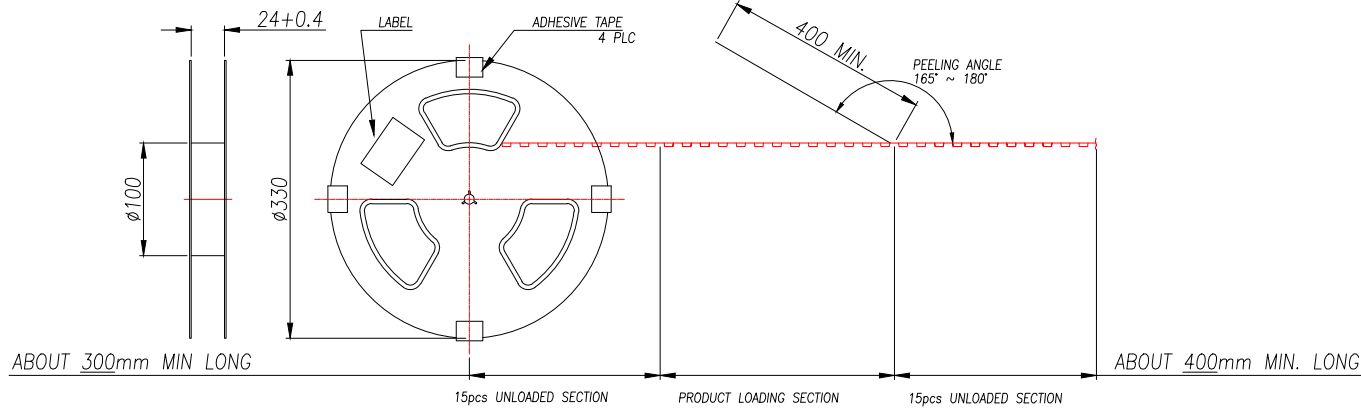
RECOMMENDED PCB LAYOUT TOP VIEW (TOLERANCE:±0.05)
 RECOMMENDED MATAL MASK T=0.12mm
 SMT SOLDER AREA
 NO PATTERN AND VIA HOLE IN HTIS AREA



DIMENSION IN mm		TOLERANCE UNLESS OTHERWISE SPECIFIED		APR. Alex		TITLE: 1.8H 6PIN HINGE MICRO SIM CARD CONNECTOR	
.X±0.35	X.*± 5'	CHK. Jack		DWG NO. SIM201-FWB6AH1.8			
.XX±0.25	.X'± 3'	DRA. Can		PROJ.		CUSTOMER DRAWING	
.XXX±0.15	.XX'± 1'			SIZE A4	SCALE 1:1	SHEET 1/2	REV. A

厦门市辛译精密电子有限公司
 Xiamen XinYi Xyecom Electronics Co.,Ltd

REV.	Q'TY	ECN. NO.	APR.	DATE



NOTES:

1. 15 SPROCKET HOLE PITCH CUMULATIVE TOLERANCE±0.2.
2. CARRIER CAMBER IS WITHIN 1 MM IN 250MM.
3. MATERIAL: CLARITY CONDUCTIVE POLYSTYRENE ALLOY
100% RECYCLABLE.
4. ALL DIMENSIONS MEET EIA-481-3 REQUIREMENTS.
5. THICKNESS: 0.30±0.05MM
6. COMPONENT LOAD PER 30.6m" REEL: 1500PCS.
7. 10REEL/CARTON: 15000PCS

DIMENSION IN mm		厦门市辛译精密电子有限公司 Xiamen XinYi Xyecom Electronics Co.,Ltd			
TOLERANCE UNLESS OTHERWISE SPECIFIED		TITLE: 1.8H 6PIN HINGE MICRO SIM CARD CONNECTOR			
.X±0.35	X.*± 5°	APR.	Alex	DWG NO. SIM201-FWB6AH1.8	
.XX±0.25	.X.*± 3°	CHK.	Jack	PROJ. CUSTOMER DRAWING	
.XXX±0.15	.XX.*± 1°	DRA.	Can	SIZE A4	SCALE 1:1
				SHEET 2/2	REV. A