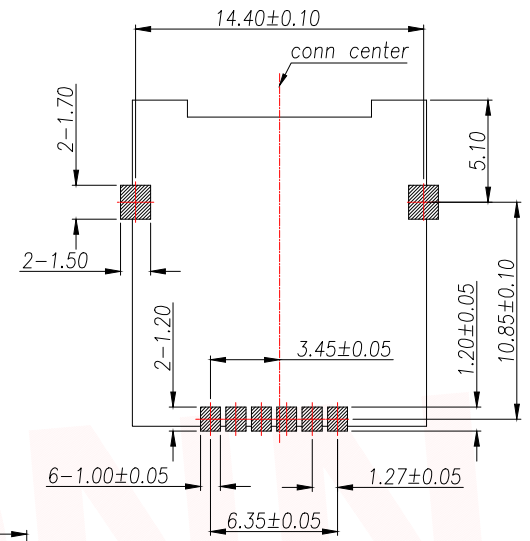
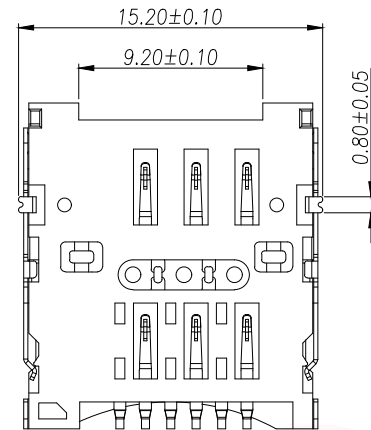
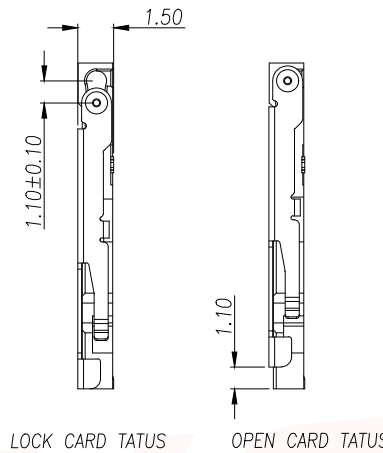
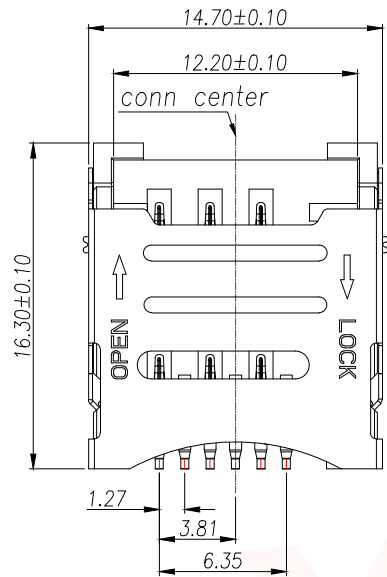
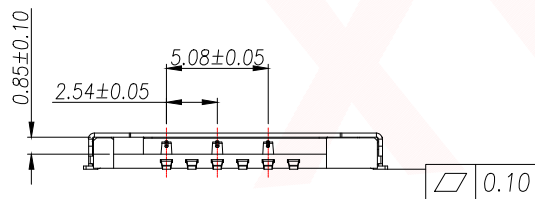


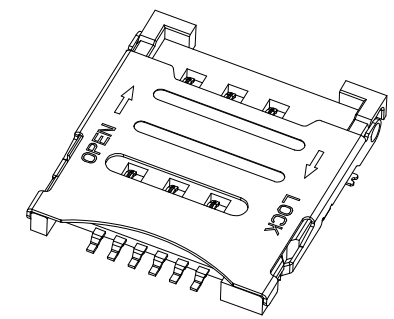
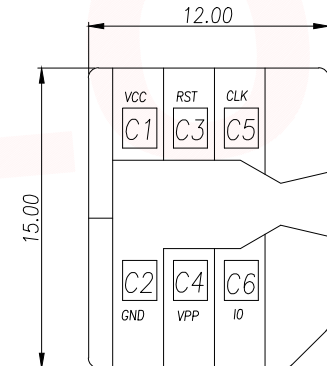
REV.	Q'TY	ECN. NO.	APR.	DATE



RECOMMENDED PCB LAYOUT TOP VIEW (TOLERANCE:±0.05)
 RECOMMENDED METAL MASK T=0.12mm



PIN NO.	NAME	PIN NO.	NAME
C1	VCC	C4	VPP
C2	GND	C5	CLK
C3	RST	C6	I/O



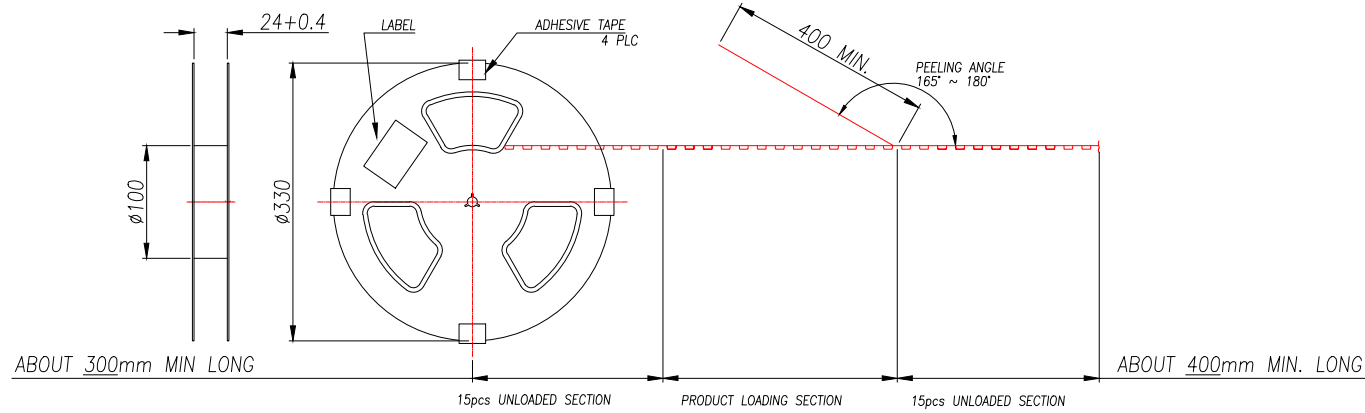
- NOTES:
- ELECTRICAL CHARACTERISTICS
 - 1-1. CONTACT RESISTANCE: 60 Milliohms Max
 - 1-2. INSULATION RESISTANCE: 1,000 Megohms Min.
 - 1-3. VOLTAGE RATING: 50V.
 - 1-4. CURRENT RATING: 1.0A.
 - MECHANICAL CHARACTERISTICS
 - 2-1. OPERATION TEMPERATURE RANGE: -20°C~+85°C
 - 2-2. DURABILITY: 5000 CYCLES
 - MATERIAL:
 - 3-1. HOUSING: THERMOPLASTIC,UL 94-V0
 - 3-2. TERMINAL: PHOSPHOR BRONZE,T=0.15mm
 - 3-3. SHELL: STAINLESS STEEL,T=0.20mm
 - FINISHED:
 - 4-1. TERMINAL: Ni PLATED UNDER, 3U" Au MIN PLATED ON CONTACT AREA,AU PLATED ON SOLDER TAIL
 - 4-2. SHELL: Ni PLATED UNDER,G/F PLATED ON SOLDER TAIL

PART INSTRUCTIONS:

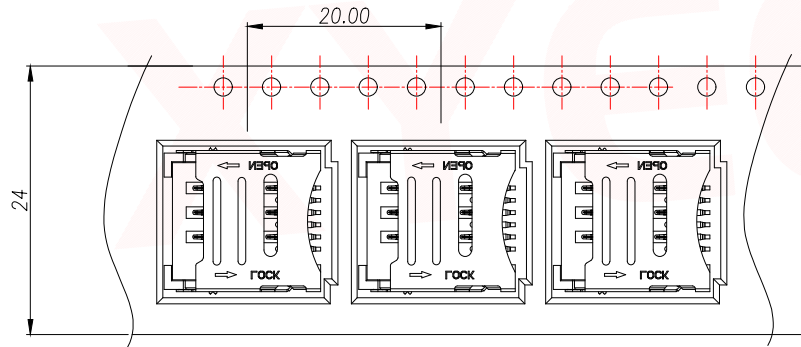
PART NUMBER	DESCRIPTION
SIM201-FWB6AH1.5	H1.5
SIM201-FWB6AH1.8	H1.8

DIMENSION IN mm		厦门市辛译精密电子有限公司 Xiamen XinYi Xyconn Electronics Co.,Ltd			
TOLERANCE UNLESS OTHERWISE SPECIFIED		TITLE: 1.5H 6PIN HINGE MICRO SIM CARD CONNECTOR			
.X±0.35	X.*±5°	APR.	Alex	DWG NO. SIM201-FWB6AH1.5	
.XX±0.25	.X.*±3°	CHK.	Jack	PROJ.	
.XXX±0.15	.XX.*±1°	DRA.	Can	CUSTOMER DRAWING	
		SIZE	A4	SCALE	1:1
		SHEET	1/2	REV.	A

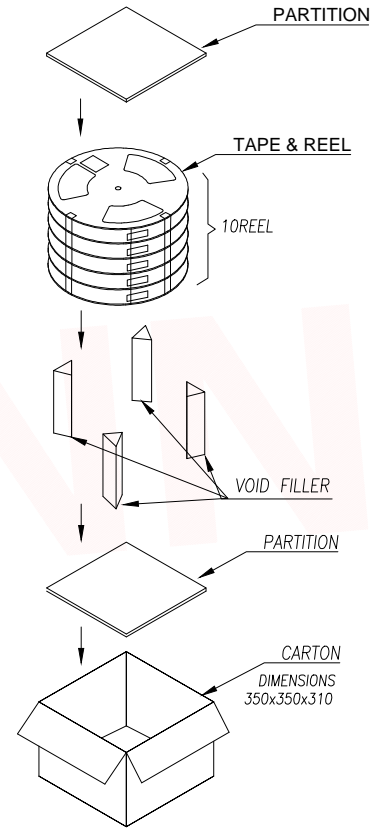
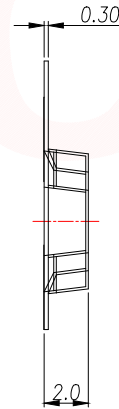
REV.	Q'TY	ECN. NO.	APR.	DATE



TOP OF TAPE



PULL OUT DIRECTION



NOTES:

- 15 SPROCKET HOLE PITCH CUMULATIVE TOLERANCE±0.2.
- CARRIER CAMBER IS WITHIN 1 MM IN 250MM.
- MATERIAL: CLARITY CONDUCTIVE POLYSTYRENE ALLOY 100% RECYCLABLE.
- ALL DIMENSIONS MEET EIA-481-3 REQUIREMENTS.
- THICKNESS: 0.30±0.05MM
- COMPONENT LOAD PER 30.6m" REEL: 1500PCS.
- 10REEL/CARTON: 15000PCS

DIMENSION IN mm		厦门市辛译精密电子有限公司 Xiamen XinYi Xyecomm Electronics Co.,Ltd			
TOLERANCE UNLESS OTHERWISE SPECIFIED		TITLE: 1.5H 6PIN HINGE MICRO SIM CARD CONNECTOR			
.X±0.35	X.*± 5'	APR.	Alex	DWG NO. SIM201-FWB6AH1.5	
.XX±0.25	.X.*± 3'	CHK.	Jack	PROJ. CUSTOMER DRAWING	
.XXX±0.15	.XX.*± 1'	DRA.	Can	SIZE A4	SCALE 1:1 SHEET 2/2 REV. A