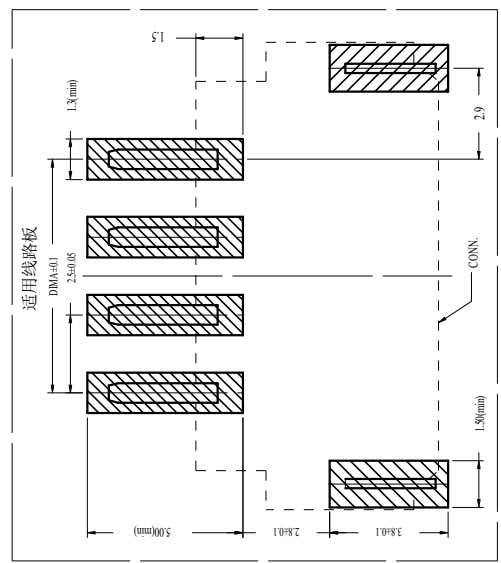
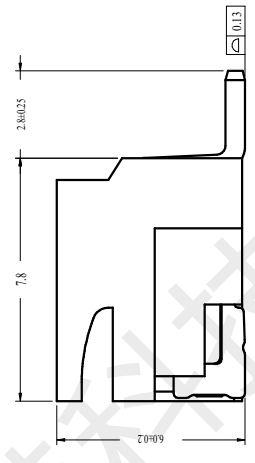
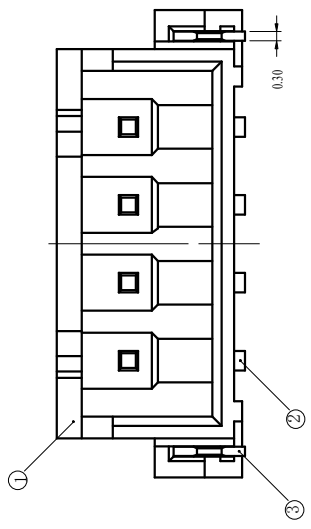
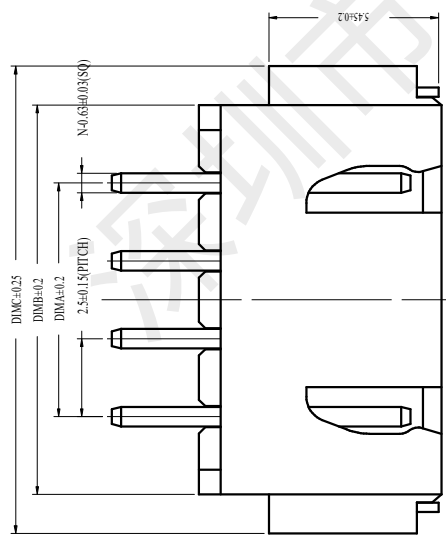
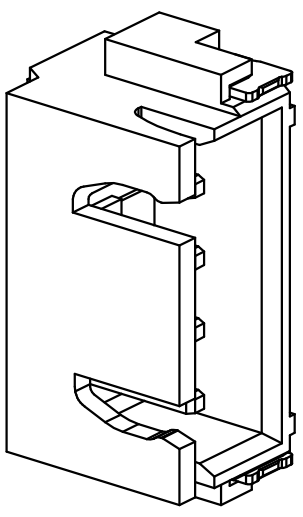


| REV. | EC# | DESCRIPTION | DATE       | DRAWN | CHECK | APPROVED |
|------|-----|-------------|------------|-------|-------|----------|
| 1.00 |     | 针座设计        | 2018-04-22 |       |       |          |
|      |     |             |            |       |       |          |

| REV. | EC# | DESCRIPTION | DATE | DRAWN | CHECK | APPROVED |
|------|-----|-------------|------|-------|-------|----------|
| 16   |     |             |      | 37.50 | 42.50 | 45.00    |
| 14   |     |             |      | 32.50 | 37.50 | 40.00    |
| 13   |     |             |      | 30.00 | 35.00 | 37.50    |
| 12   |     |             |      | 27.50 | 32.50 | 35.00    |
| 11   |     |             |      | 25.00 | 30.00 | 32.50    |
| 10   |     |             |      | 22.50 | 27.50 | 30.00    |
| 9    |     |             |      | 20.00 | 25.00 | 27.50    |
| 8    |     |             |      | 17.50 | 22.50 | 25.00    |
| 7    |     |             |      | 15.00 | 20.00 | 22.50    |
| 6    |     |             |      | 12.50 | 17.50 | 20.00    |
| 5    |     |             |      | 10.00 | 15.00 | 17.50    |
| 4    |     |             |      | 7.50  | 12.50 | 15.00    |
| 3    |     |             |      | 5.00  | 10.00 | 12.50    |
| 2    |     |             |      | 2.50  | 7.50  | 10.00    |
| Pin  |     |             |      | DIM.A | DM.B  | DM.C     |



1. 工作温度: -25° C~85° C.
2. 适用线规: AWG#30~#22.
3. 额定电压: 250V DC/AC(rms).
4. 额定电流: 3.0A.
5. 接触电阻: ≤20m .
6. 耐压值: 1000V AC/minute.
7. 绝缘电阻: ≥1000M .

| NO. | NAME         | Q'TY  | DESCRIPTION               |
|-----|--------------|-------|---------------------------|
| 3   | FITTING NAIL | 2 PCS | 材质:磷青铜,电镀:光亮锡60u"MIN      |
| 2   | PIN          | n PCS | 材质:黄铜,电镀:光亮锡60u"MIN       |
| 1   | Housing      | 1 PCS | 材质:LCP (UL94V-0),颜色:本色或黑色 |

|             |  |                  |  |                     |  |                        |  |
|-------------|--|------------------|--|---------------------|--|------------------------|--|
| DRAW : 李春风  |  | 2018-04-22       |  | TITLE: 针座           |  | DRAW NAME: 2.54-16P WT |  |
| DESIGN: 钟国华 |  | 2018-04-22       |  | SERIES: 2021 SERIES |  | DRAW NO.               |  |
| CHECK: 罗孝金  |  | 2018-04-22       |  | P/N:                |  | UNIT: mm               |  |
| APPROVED    |  | CUSTOMER DRAWING |  | REV. 1.00           |  | SCALE N/A              |  |
| SHEET: 1/1  |  | SHEET: 1/1       |  | SHEET: 1/1          |  | SHEET: 1/1             |  |

| GENERAL TOLERANCES |        |        |
|--------------------|--------|--------|
| DIM                | TOL    | DEG    |
| X                  | DIM    | DEG    |
| X°                 | X°     | +3.00° |
| X.X                | X.X°   | +2.00° |
| X.XX               | X.XX°  | +1.00° |
| X.XXX              | X.XXX° | +1.00° |

**首韩** 深圳市首韩科技有限公司



深圳市首韩科技有限公司

SHENZHEN SHOUHAN TECHNOLOGY CO., LTD

Tel: 0755-27597601 Fax: 0755-27597491

# 承 认 书

## SPECIFICATION FOR APPROVAL

客 户 Customer:

\_\_\_\_\_

产品名称 Project:

针座

\_\_\_\_\_

规格型号 Part No:


2.54 -16P WT

\_\_\_\_\_

### 贵公司承认印 Approval signatures

| 料 号/Part No. | 签 章/Signatures |
|--------------|----------------|
|              |                |

日期 Date:

|             |     |  |
|-------------|-----|--|
| 拟制/Drawn    | 李春风 |  |
| 审核/Check    | 钟华华 |  |
| 批准/Approved | 罗孝金 |  |

## 1、SCOPE: (适用范围)

1.1 This specification covers production and inspection of Connector.

本规范内容适用于本公司普通系列型条形连接器（针座）产品的生产与检验。

## 2、USE CONDITION: (使用条件)

2.1 Ambient temperature Range:-25℃~+85℃

环境温度：-25℃~+85℃

2.2 Applicable PC board thickness:1.2~1.6mm

适用 PC 板厚度：1.2~1.6 mm

## 3、Appearance and Dimension: (外观及尺寸)

3.1 Appearance:Product surface without defect、dirt、crack、and mechanical damang, Contact without rust,plating not oxided and not peeled.

产品表面不应有对制品有害的缺陷、污垢、裂痕及机械损伤；接触件无锈蚀、镀层氧化、脱落等现象。

3.2 Dimension:According to drawings

外形尺寸：依照附图

3.3 Exchangable:Exchangable with same specification products.

互换性：相同规格应能互换

## 4、Material:

材 料 （以图纸为准）

| P/N<br>零件名称                   | Type<br>类 型        | Material<br>材 料                  | Finish<br>表面处理                         | Expiain<br>说 明     |
|-------------------------------|--------------------|----------------------------------|--|--------------------|
| Terminal<br>端子                | Contact<br>插 簧     | Phosphor bronze<br>锡青磷铜 厚 0.15mm | Tin Plating:3~4 μ m<br>镀锡：3~4 μ m      | RoHS<br>Comp liant |
| Housing<br>孔 座                | Plastic<br>塑 壳     | Nylon66 UL94V-0                  | Color:White<br>颜色：白色                   |                    |
| OpeningWafer<br>开口针座          | Contact<br>插 针     | Phosphor bronze<br>锡青磷铜 厚 0.30mm | Tin Plating:3~4 μ m<br>镀锡：3~4 μ m      |                    |
|                               | Plastic<br>塑 壳     | Nylon46 UL94V-0                  | Color: Beige<br>颜色：米色                  |                    |
| Lips Wafer<br>闭口针座            | Contact<br>插 针     | Phosphor bronze<br>锡青磷铜 厚 0.30mm | Gold Plating:3~4 μ " m<br>镀金：3~4 μ " m |                    |
|                               | Plastic<br>塑 壳     | PBT UL94V-0                      | Color: White<br>颜色：白色                  |                    |
| Tiepian Wafer<br>卧贴针座<br>立贴针座 | Contact<br>插 针     | Phosphor bronze<br>锡青磷铜 厚 0.30mm | Tin Plating:3~4 μ m<br>镀锡：3~4 μ m      |                    |
|                               | Solder tabs<br>焊护耳 | Phosphor bronze<br>锡青磷铜 厚 0.25mm | Tin Plating:3~4 μ m<br>镀锡：3~4 μ m      |                    |
|                               | Plastic<br>塑 壳     | Nylon46 UL94V-0                  | Color: Beige<br>颜色：米色                  |                    |

## 5、Electrical Performance:

电气性能

| NO. 序号 | Item 项目                       | Requirement 技术要求                |
|--------|-------------------------------|---------------------------------|
| 5.1    | Voltage Rated<br>额定电压         | 250V AC DC                      |
| 5.2    | Current Rated<br>额定电流         | 3A AC DC                        |
| 5.3    | Contact Resistance<br>接触电阻    | $\leq 20 \text{ m}\Omega$       |
| 5.4    | Insulation Resistance<br>绝缘电阻 | $\geq 1000 \text{ M}\Omega$     |
| 5.5    | Dielectric Strength<br>耐压     | $\geq 1000 \text{ V AC/minute}$ |

## 6、Mechanical Performance:

机械性能

| NO. 序号 | Item 项目                                  | Requirement 技术要求             |
|--------|--|------------------------------|
| 6.1    | Male contact Retention force<br>PIN 针固定力 | $\geq 10 \text{ N}$ per pin  |
| 6.2    | Female contact Retention force<br>端子固定力  | $\geq 10 \text{ N}$ per pin  |
| 6.3    | Plug-in force<br>插入力                     | $\leq 3 \text{ N}$ per pin   |
| 6.4    | Plug-out force<br>拔出力                    | $\geq 0.5 \text{ N}$ per pin |

## 7、Endurance Characteristics:

环境性能

| NO. 序号 | Item 项目                              | Requirement 技术要求  |
|--------|--------------------------------------|---|
| 7.1    | Soldering rest<br>可焊性                | Time: $2.5 \pm 0.5 \text{ S}$ 时间: $2.5 \pm 0.5 \text{ S}$<br>Temperature: $260 \pm 5^\circ \text{C}$ 温度: $260 \pm 5^\circ \text{C}$<br>Area of Soldering: $\geq 95\%$ 焊锡面积: $\geq 95\%$ |
| 7.2    | Resistance to soldering Heat<br>耐焊接热 | Time: $5 \pm 1 \text{ S}$ 时间: $5 \pm 1 \text{ S}$<br>Temperature: $260 \pm 5^\circ \text{C}$ 温度: $260 \pm 5^\circ \text{C}$<br>Appearance: NO Damage 外观: 无损坏                            |

|     |  |   |
|-----|--|---|
| 7.3 | <b>Heat test</b><br>耐热性                | Time:96h 时间: 96 小时<br>Temperature:+85±3℃ 温度: +85±3℃<br>Appearance:NO Damage 外观: 无损坏<br>Contact resistance: ≤20 mΩ 接触电阻: ≤20 mΩ  |
| 7.4 | <b>Cold test</b><br>耐冷性                | Time:48h 时间: 48 小时<br>Temperature:-25±3℃ 温度: -25±3℃<br>Appearance:NO Damage 外观: 无损坏<br>Contact resistance:≤20 mΩ 接触电阻: ≤20 mΩ   |
| 7.5 | <b>Temperature Cycling</b><br>温度循环     | Low temperature:-25±3℃ 低温: -25±3℃<br>High temperature:-85±3℃ 高温: -85±3℃<br>For 5 cycles.test after keeping in Normal Condition for 30 min.<br>5 次循环后, 放置在正常环境中 30 分钟, 在进行测试<br>Appearance: NO Damage 外观: 无损坏<br>Contact resistance: ≤20 mΩ 接触电阻: ≤20mΩ  |
| 7.6 | <b>Invariab lenes humidity</b><br>恒定湿热 | Temperature:60±2℃ 温度: 60±2℃<br>Relative humidity:90%-96% RH<br>相对湿度: 90%-96% RH<br>Tim:96h 时间: 96 小时<br>Appearance:NO Damage 外观: 无损坏<br>Contact resistance: ≤20 mΩ 接触电阻: ≤20 mΩ<br>Insulation Resistance: ≥100MΩ 绝缘电阻: ≥100 MΩ  |
| 7.7 | <b>Salt Spray</b><br>盐雾试验              | Salt concentration: 5±1% 浓度: 5±1%<br>Temperature:35±2℃ 温度: 35±2℃<br>Tim:16±2h 时间: 16±2 小时<br>After salt is removed by running wafer and A drop is removed ,it is measured.<br>把试验样品从试验箱顶悬挂下来, 采用浓度 (5±1) %的氯化钠溶液, 连续雾化 16 小时, 试验后用流动的蒸馏水 轻轻洗去表面沉积物, 在常温常驻湿条件下恢复 1-2 小时, 外观无损伤<br>Appearance:NO Damage 外观: 无损坏<br>Contact resistance: ≤20 mΩ<br>接触电阻: ≤20 mΩ |