

HR681616

Electrical Specification @25°C

RoHS Compliant (PB Free)

Isolation: 1500Vrms 0.5mA 60S (Primary to Secondary)

OCL: 120uH Minimum @100KHz 100mV 8mADC

Turn Ratio: 1CT : 1CT ±2% @100KHz 100mV

DC Resistance: 1.2 Ohms Maximum

Interwinding Capacitance: P1-16; P8-9 30pF Maximum @100KHz 100mV

Insertion Loss: -0.9dB Maximum @300KHz ~ 100MHz

Return Loss: -16dB Minimum @30MHz / -12dB Minimum @60MHz

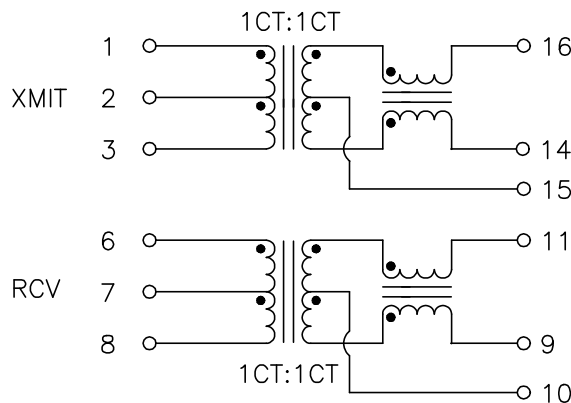
-11dB Minimum @80MHz

Different to Common Mode Rejection: -35dB Minimum @30MHz / -33dB Minimum @50MHz

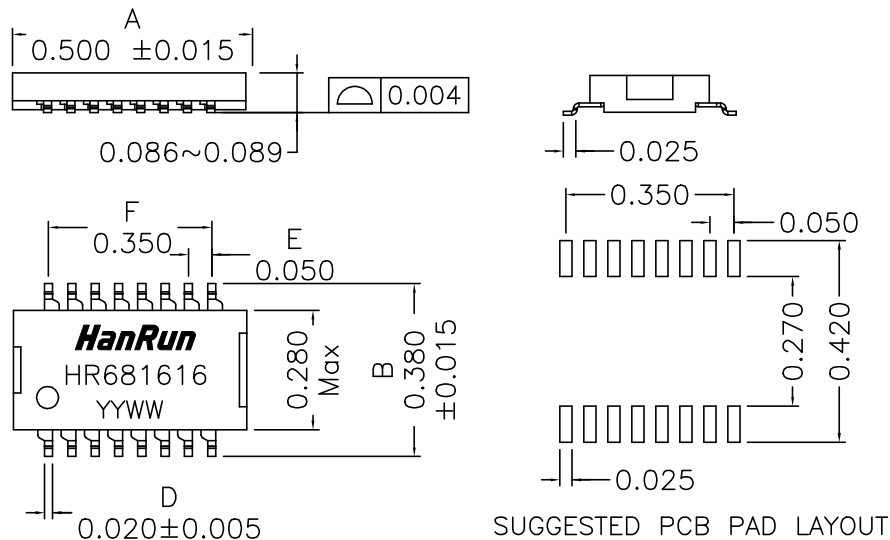
-20dB Minimum @100MHz / -20dB Minimum @150MHz

Crosstalk: -45dB Minimum @30MHz / -40dB Minimum @62MHz / -40dB Minimum @100MHz

Schematics



Mechanical Dimensions



Dimensions in inches

Unless otherwise specified, Tolerance: .xxx ±0.010

REV.: 01