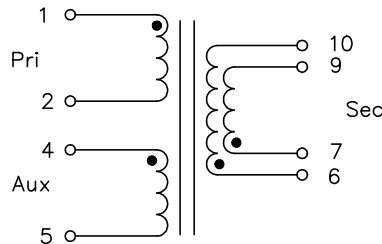


**HR051154**

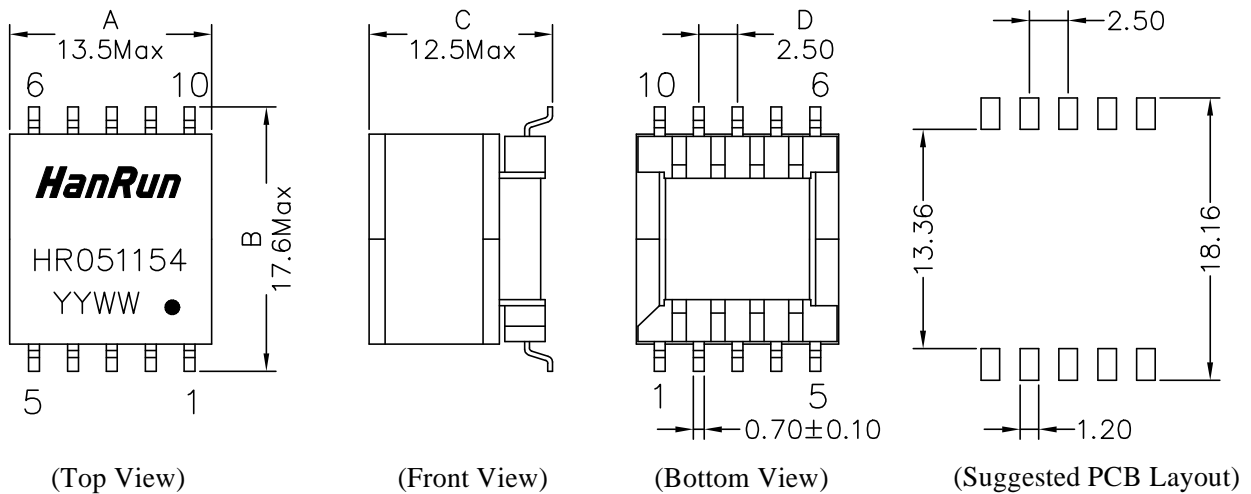
**Electrical Specification @25°C**

RoHS Compliant (Pb Free)  
 Isolation: 1500Vrms 60S 1mA (Pri. & Aux. to Sec.)  
 Isolation: 500Vrms 3S 1mA (Pri. to Aux.; Windings to Core)  
 Turns Ratio: P1-2 : P4-5 : P6,7-10,9 = 1.8 : 1 : 1 @100KHz 0.1Vrms (Tie6+7, 9+10)  
 Pin1-2 Inductance: 100.0 uH ±10% @100KHz 0.1Vrms  
 Pin1-2 Inductance: 80.0 uH Min @100KHz 0.1Vrms 1.3ADC  
 Pin1-2 Leakage Inductance: 0.875 uH Max. @100KHz 0.1Vrms (Shorted P6+7+9+10)  
 Pin1-2 DC Resistance: 210.0 mohms Max.  
 P4-5 DC Resistance: 580.0 mohms Max.  
 Pin6-10 DC Resistance: 70.0 mohms Max.  
 Pin7-9 DC Resistance: 70.0 mohms Max.  
 Operating Temperature: -40°C ~ +85°C  
 Input 33-57V Output 12.0V 2.5A  
 Power Transformer For Texas Instruments TPS23754 PD Controller  
 Application of the transformer allows for the leadwires between terminals 6&7 and 9&10 to solder bridge

**Schematics**



**Mechanical Dimensions**



Unless otherwise specified,  
 Tol.: .xx ± 0.25 (mm)