

# IS31FL3296

## 2-RGB/6-LED LED DRIVER

September 2023

### GENERAL DESCRIPTION

The IS31FL3296 is a 6 LED current sink LED driver with 1MHz I2C compatible programming interface. Each LED can be dimmed individually with 12-bit PWM data and color calibrated with 8-bit DC scaling data, providing 4096 steps of linear PWM dimming and 256 steps of DC current adjustment levels. All channels output current can be further globally adjusted in 64 steps.

The IS31FL3296 operates from 2.7V to 5.5V and features a very low operational and shutdown current.

Each channel of IS31FL3296 can operate in “PWM & Current Level mode” or “Pattern mode” or “Current Level Mode”. In “PWM & Current Level mode”, the output current is set by PWM and 8-bits current level registers. In “Pattern mode”, the timing characteristics for RGB channels output can be individually adjusted to maintain a pre-established pattern sequence without requiring any additional MCU interaction, thus saving valuable system resources. In “Current Level mode”, the output current is set by 8-bits current level register.

IS31FL3296 is available in QFN-20 (3mm×3mm) and UTQFN-12 (2mm×2mm) packages. It operates from 2.7V to 5.5V over the temperature range of -40°C to +125°C.

### FEATURES

- Supply voltage range: 2.7V to 5.5V
- 6 current sinks,  $I_{out} = 40\text{mA}$  (Max.)
- Ultra-low operational current (200 $\mu\text{A}$  Typ. at  $V_{CC} = 3.6\text{V}$ )
- Power-saving mode: 1 $\mu\text{A}$  (Typ.) with SDB pulled high and all LEDs off
- Accurate color rendition
  - 12-bit/8+4-bit PWM/channel
  - 8-bit correction current/channel
  - 6-bit global current adjusts
- SDB rising edge reset I2C module
- 1MHz I2C-compatible interface
- Auto breath function:
  - 3 patterns for auto breath
  - Fade IN/ Fade OUT time up to 8s
  - Single pulse/Multi pulse/Manual control modes for auto breath
  - 3 colors pre-configure registers for color breath
- 23kHz PWM frequency (8+4-bit PWM mode)
- QFN-20 (3mm×3mm) and UTQFN-12 (2mm×2mm) packages
- RoHS & Halogen-Free Compliance
- TSCA Compliance

### APPLICATIONS

- Hand-held devices for LED display
- Gaming device (Mouse, Mouse Pad etc.)
- IOT device (AI speaker etc.)

# IS31FL3296

## TYPICAL APPLICATION CIRCUIT

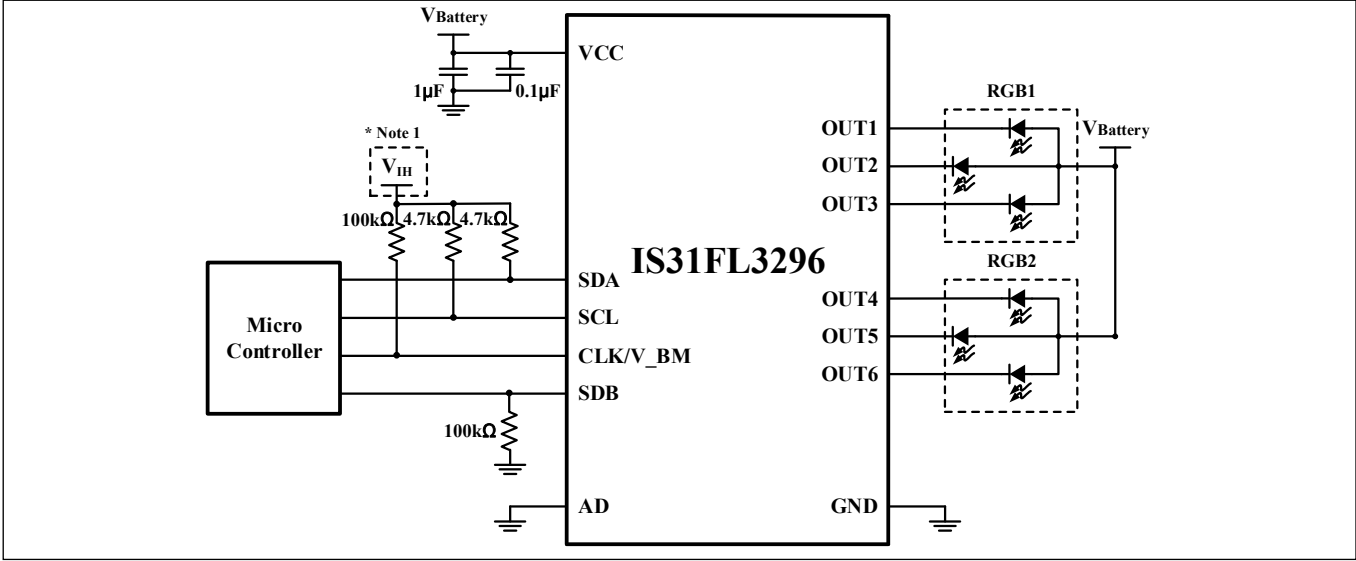


Figure 1 Typical Application Circuit: 2 RGBs

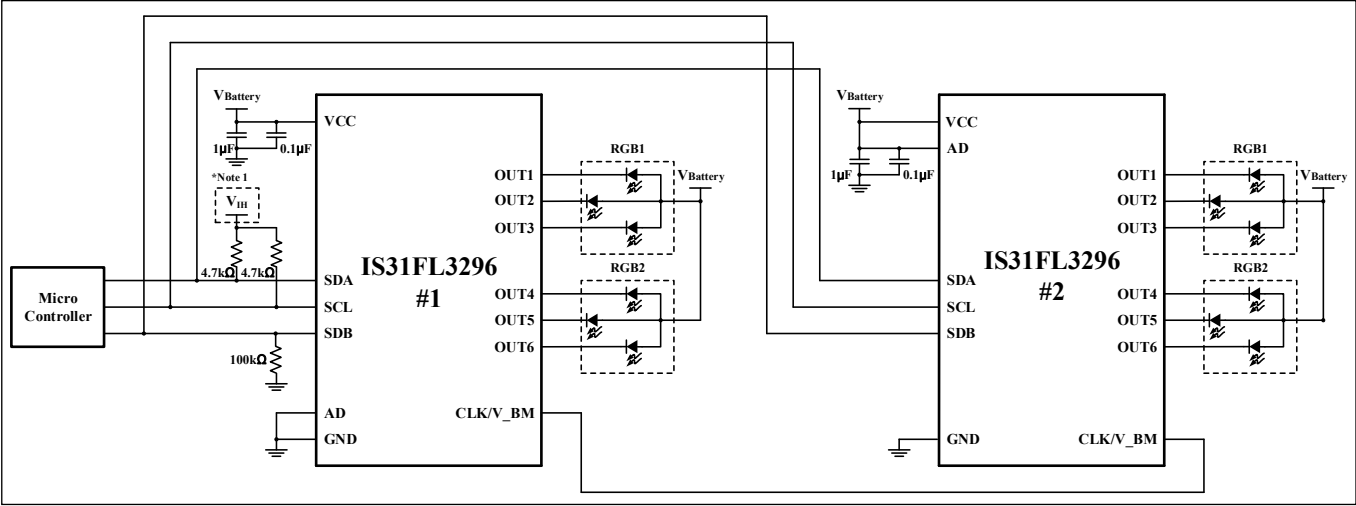
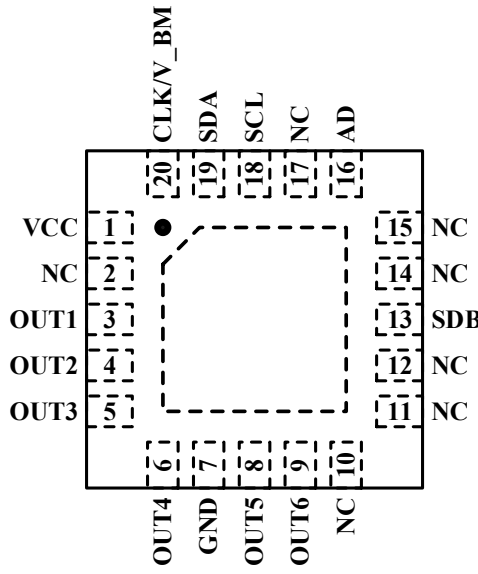
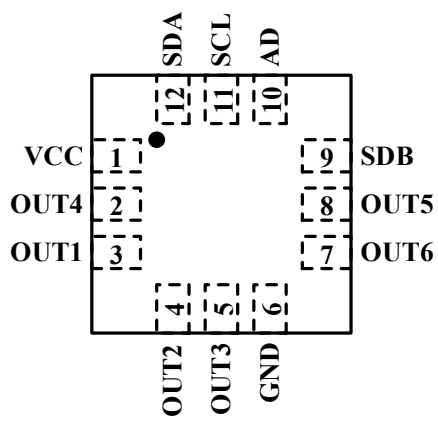


Figure 2 Typical Application Circuit (Cascade Mode, for QFN-20 only)

**Note 1:**  $V_{DD}$  is the high-level voltage for IS31FL3296, which is usually same as  $V_{CC}$  of Micro Controller, e.g. if  $V_{CC}$  of Micro Controller is 3.3V,  $V_{IH}$  = 3.3V. If  $V_{CC}$  = 5V and  $V_{IH}$  is lower than 2.8V, recommend to add level shift circuit.

# IS31FL3296

## PIN CONFIGURATION

Package	Pin Configuration (Top View)
QFN-20	
UTQFN-12	

# IS31FL3296

## PIN DESCRIPTION

No.		Pin	Description
QFN	UTQFN		
1	1	VCC	Power supply.
2,10,11,12,14,15,17	-	NC	No connect.
3~6	2~5	OUT1~OUT4	Current sink channels.
7	6	GND	Ground.
8~9	7~8	OUT5~OUT6	Current sink channels.
13	9	SDB	Shutdown the chip when pulled to low.
16	10	AD	I2C address setting.
18	11	SCL	I2C serial clock.
19	12	SDA	I2C serial data.
20	-	CLK/V_BM	CLK input or output for cascade connection. When breathing mark function is enabled, this pin is V_BM pin.
		Thermal Pad	Connect to GND.

# IS31FL3296

## ORDERING INFORMATION

Industrial Range: -40°C to +125°C

Order Part No.	Package	QTY/Reel
IS31FL3296-QFLS4-TR	QFN-20, Lead-free	2500
IS31FL3296-UTLS4-TR	UTQFN-12, Lead-free	3000

Copyright © 2023 Lumissil Microsystems. All rights reserved. Lumissil Microsystems reserves the right to make changes to this specification and its products at any time without notice. Lumissil Microsystems assumes no liability arising out of the application or use of any information, products or services described herein. Customers are advised to obtain the latest version of this device specification before relying on any published information and before placing orders for products.

Lumissil Microsystems does not recommend the use of any of its products in life support applications where the failure or malfunction of the product can reasonably be expected to cause failure of the life support system or to significantly affect its safety or effectiveness. Products are not authorized for use in such applications unless Lumissil Microsystems receives written assurance to its satisfaction, that:

- a.) the risk of injury or damage has been minimized;
- b.) the user assumes all such risks; and
- c.) potential liability of Lumissil Microsystems is adequately protected under the circumstances

# IS31FL3296

## ABSOLUTE MAXIMUM RATINGS

Supply voltage, $V_{CC}$	-0.3V ~+6.0V
Voltage at any input pin	-0.3V ~ $V_{CC}+0.3V$
Maximum junction temperature, $T_{JMAX}$	+150°C
Storage temperature range, $T_{STG}$	-65°C ~+150°C
Operating temperature range, $T_A=T_J$	-40°C ~ +125°C
Package thermal resistance, junction to ambient (4-layer standard test PCB based on JESD 51-2A), $\theta_{JA}$	56.6°C/W (QFN) 126.1°C/W (UTQFN)
ESD (HBM)	±2kV
ESD (CDM)	±750V

**Note 2:** Stresses beyond those listed under “Absolute Maximum Ratings” may cause permanent damage to the device. These are stress ratings only and functional operation of the device at these or any other condition beyond those indicated in the operational sections of the specifications is not implied. Exposure to absolute maximum rating conditions for extended periods may affect device reliability.

## ELECTRICAL CHARACTERISTICS

The following specifications apply for  $V_{CC}=5V$ ,  $T_A=25^\circ C$ , unless otherwise noted.

Symbol	Parameter	Conditions	Min.	Typ.	Max.	Unit
$V_{CC}$	Supply voltage		2.7		5.5	V
$I_{CC}$	Quiescent power supply current	$V_{CC}=3.6V$ , $V_{SDB}=V_{CC}$ , ALL channels PWM= 0x00, 12-bit mode, PFS = 220Hz		0.2	0.24	mA
		$V_{CC}=5V$ , $V_{SDB}=V_{CC}$ , ALL channels PWM= 0x00, 12-bit mode, PFS = 220Hz		0.26	0.29	
		$V_{CC}=3.6V$ , $V_{SDB}=V_{CC}$ , ALL channels PWM= 0x00, 8+4-bit mode, PFS = 23kHz		0.4	0.47	
		$V_{CC}=5V$ , $V_{SDB}=V_{CC}$ , ALL channels PWM= 0x00, 8+4-bit mode, PFS = 23kHz		0.55	0.6	
$I_{SD}$	Shutdown current	$V_{CC}=5V$ , $V_{SDB}=0V$		0.4	2	$\mu A$
		$V_{CC}=3.6V$ , $V_{SDB}=0V$		0.3	1	
		$V_{SDB}=V_{CC}=5V$ , Configuration Register written “0000 0000		0.4	2	
		$V_{SDB}=V_{CC}=3.6V$ , Configuration Register written “0000 0000		0.3	1	
$I_{OUT}$	Constant current of channel	GCC=0x3F, CL=0xFF, IMAX=0	27.5	30	32.5	mA
		GCC=0x3F, CL=0xFF, IMAX=1		40		mA
$f_{OUT}$	PWM frequency of output	OSC= 1.8MHz, PFS= 00, PWM Resolution= 12-bit	200	220	240	Hz
		OSC= 1.8MHz, PFS= 01, PWM Resolution= 12-bit	400	440	480	Hz
		OSC= 6MHz, PFS= 10, PWM Resolution= 8+4-bit	21	23	25.3	kHz
$\Delta I_{MAT}$	Between channels	$I_{OUT}=30mA$ (Note 3)	-6.5		6.5	%
$\Delta I_{ACC}$	Between device to device	$I_{OUT}=30mA$ (Note 4)	-6.5		6.5	%
$\Delta I_{MAT}$	Between channels	$I_{OUT}=3mA$ (LCAI=1) (Note 3)	-7		7	%
$\Delta I_{ACC}$	Between device to device	$I_{OUT}=3mA$ (LCAI=1) (Note 4)	-7		7	%
$V_{HR}$	Current sink headroom voltage	$I_{OUT}=30mA$		250	330	mV

# IS31FL3296

## ELECTRICAL CHARACTERISTICS (CONTINUE)

The following specifications apply for  $V_{CC}=5V$ ,  $T_A=25^{\circ}C$ , unless otherwise noted.

Symbol	Parameter	Conditions	Min.	Typ.	Max.	Unit
$T_{SD}$	Thermal shutdown	(Note 5)		165		$^{\circ}C$
$T_{SD\_HY}$	Thermal shutdown hysteresis	(Note 5)		18		$^{\circ}C$
<b>Logic Electrical Characteristics (SDA, SCL, SDB, AD)</b>						
$V_{IL}$	Logic "0" input voltage	$V_{CC}=2.7V \sim 5.5V$	GND		0.4	V
$V_{IH}$	Logic "1" input voltage	$V_{CC}=2.7V \sim 5.5V$	1.4		$V_{CC}$	V
$I_{IL}$	Logic "0" input current	$V_{INPUT}=0V$ (Note 5)		5		nA
$I_{IH}$	Logic "1" input current	$V_{INPUT}=V_{CC}$ (Note 5)		5		nA

## DIGITAL INPUT I2C SWITCHING CHARACTERISTICS (NOTE 5)

Symbol	Parameter	Fast Mode			Fast Mode Plus			Units
		Min.	Typ.	Max.	Min.	Typ.	Max.	
$f_{SCL}$	Serial-clock frequency	-		400	-		1000	kHz
$t_{BUF}$	Bus free time between a STOP and a START condition	1.3		-	0.5		-	$\mu s$
$t_{HD, STA}$	Hold time (repeated) START condition	0.6		-	0.26		-	$\mu s$
$t_{SU, STA}$	Repeated START condition setup time	0.6		-	0.26		-	$\mu s$
$t_{SU, STO}$	STOP condition setup time	0.6		-	0.26		-	$\mu s$
$t_{HD, DAT}$	Data hold time	-		-	-		-	$\mu s$
$t_{SU, DAT}$	Data setup time	100		-	50		-	ns
$t_{LOW}$	SCL clock low period	1.3		-	0.5		-	$\mu s$
$t_{HIGH}$	SCL clock high period	0.7		-	0.26		-	$\mu s$
$t_R$	Rise time of both SDA and SCL signals, receiving (Note 6)	-		300	-		120	ns
$t_F$	Fall time of both SDA and SCL signals, receiving (Note 6)	-		300	-		120	ns

**Note 3:**  $I_{OUT}$  mismatch (bit to bit)  $\Delta I_{MAT}$  is calculated:

$$\Delta I_{MAT} = \left( \frac{I_{OUTn} (n=1 \sim 6)}{\left( \frac{I_{OUT1} + I_{OUT2} + I_{OUT3} + I_{OUT4} + I_{OUT5} + I_{OUT6}}{6} \right)} - 1 \right) \times 100\%$$

**Note 4:**  $I_{OUT}$  accuracy (device to device)  $\Delta I_{ACC}$  is calculated:

$$\Delta I_{ACC} = \left( \frac{\left( \frac{I_{OUT1} + I_{OUT2} + I_{OUT3} + I_{OUT4} + I_{OUT5} + I_{OUT6}}{6} - I_{OUT(IDEAL)} \right)}{I_{OUT(IDEAL)}} \right) \times 100\%$$

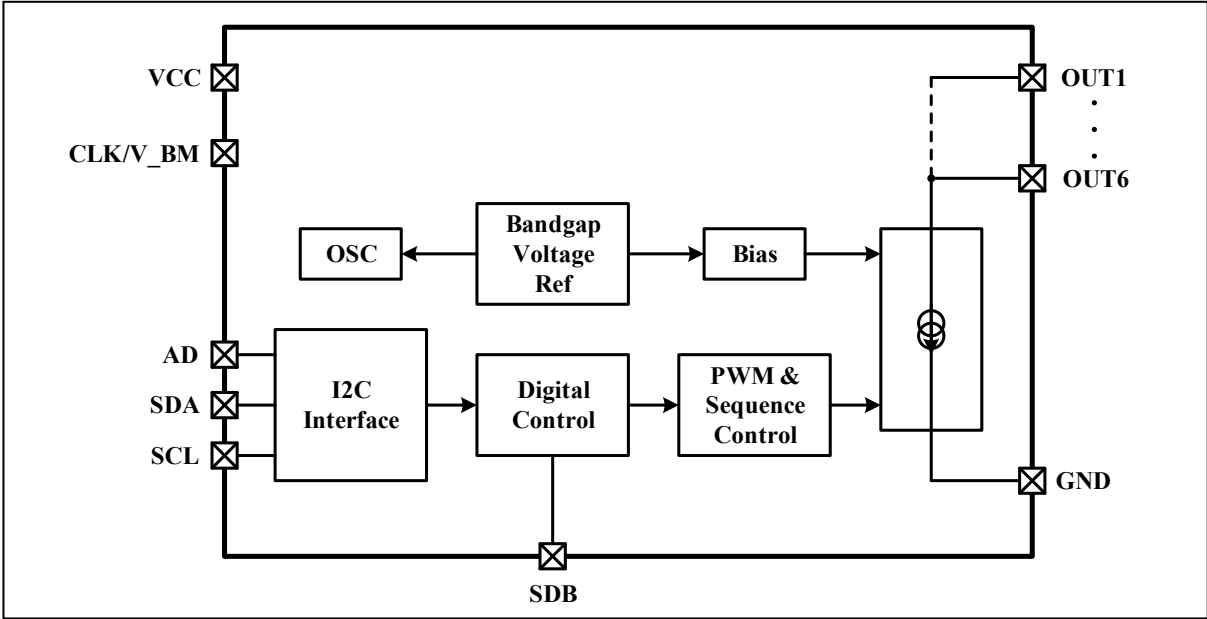
Where  $I_{OUT(IDEAL)} = 30mA$  or  $3mA$ .

**Note 5:** Guaranteed by design.

**Note 6:**  $C_b$  = total capacitance of one bus line in pF.  $I_{SINK} \leq 6mA$ .  $t_R$  and  $t_F$  measured between  $0.3 \times V_{CC}$  and  $0.7 \times V_{CC}$ .

# IS31FL3296

## FUNCTION BLOCK DIAGRAM





# IS31FL3296

## DETAILED DESCRIPTION

### I2C INTERFACE

IS31FL3296 uses a serial bus, which conforms to the I2C protocol, to control the chip's functions with two wires: SCL and SDA. The IS31FL3296 has a 7-bit slave address (A7:A1), followed by the R/W bit, A0. Set A0 to "0" for a write command and set A0 to "1" for a read command. The value of bits A1 and A2 are decided by the connection of the AD pin.

**Table 1 Slave Address**

AD	A7:A3	A2:A1	A0
GND	1110 1	00	0/1
SCL		01	
SDA		10	
VCC		11	

- AD connected to GND, A2:A1=00;
- AD connected to VCC, A2:A1=11;
- AD connected to SCL, A2:A1=01;
- AD connected to SDA, A2:A1=10;

The SCL line is uni-directional. The SDA line is bi-directional (open-drain) with a pull-up resistor (typically 400kHz I2C with 4.7kΩ, 1MHz I2C with 2kΩ). The maximum clock frequency specified by the I2C standard is 1MHz. In this discussion, the master is the microcontroller and the slave is the IS31FL3296.

The timing diagram for the I2C is shown in Figure 3. The SDA is latched in on the stable high level of the SCL. When there is no interface activity, the SDA line should be held high.

The "START" signal is generated by lowering the SDA signal while the SCL signal is high. The start signal will alert all devices attached to the I2C bus to check the incoming address against their own chip address.

The 8-bit chip address is sent next, most significant bit first. Each address bit must be stable while the SCL level is high.

After the last bit of the chip address is sent, the master checks for the IS31FL3296's acknowledge. The master releases the SDA line high (through a

pull-up resistor). Then the master sends an SCL pulse. If the IS31FL3296 has received the address correctly, then it holds the SDA line low during the SCL pulse. If the SDA line is not low, then the master should send a "STOP" signal (discussed later) and abort the transfer.

Following acknowledge of IS31FL3296, the register address byte is sent, most significant bit first. IS31FL3296 must generate another acknowledge indicating that the register address has been received.

Then 8-bit of data byte are sent next, most significant bit first. Each data bit should be valid while the SCL level is stable high. After the data byte is sent, the IS31FL3296 must generate another acknowledge to indicate that the data was received.

The "STOP" signal ends the transfer. To signal "STOP", the SDA signal goes high while the SCL signal is high.

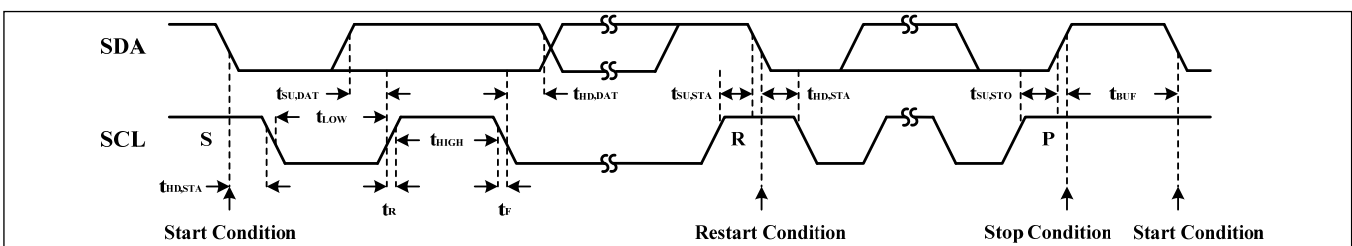
### ADDRESS AUTO INCREMENT

To write multiple bytes of data into IS31FL3296, load the address of the data register that the first data byte is intended for. During the IS31FL3296 acknowledge of receiving the data byte, the internal address pointer will increment by one. The next data byte sent to IS31FL3296 will be placed in the new address, and so on. The auto increment of the address will continue as long as data continues to be written to IS31FL3296 (Figure 6).

### READING OPERATION

Most of the registers can be read.

To read the register, after I2C start condition, the bus master must send the IS31FL3296 device address with the R/W bit set to "0", followed by the register address which determines which register is accessed. Then restart I2C, the bus master should send the IS31FL3296 device address with the R/W bit set to "1". Data from the register defined by the command byte is then sent from the IS31FL3296 to the master (Figure 7).



**Figure 3** I2C Interface Timing

# IS31FL3296

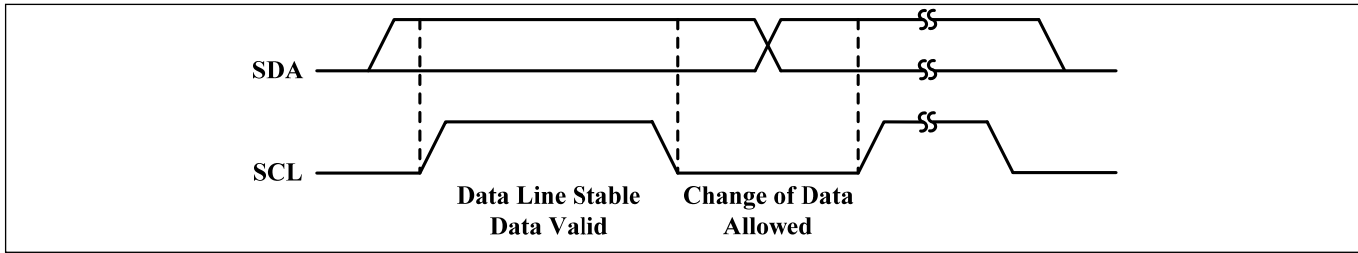


Figure 4 I2C Bit Transfer

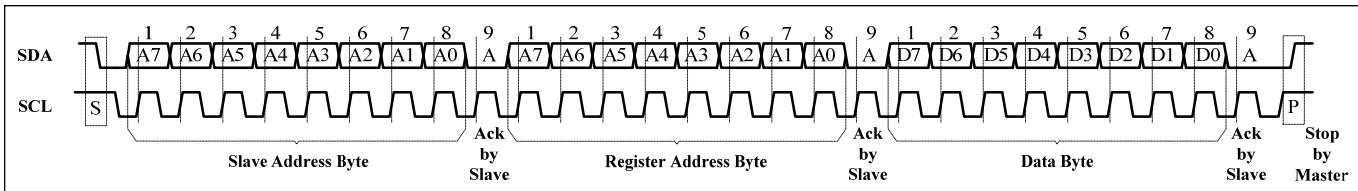


Figure 5 I2C Writing to IS31FL3296 (Typical)

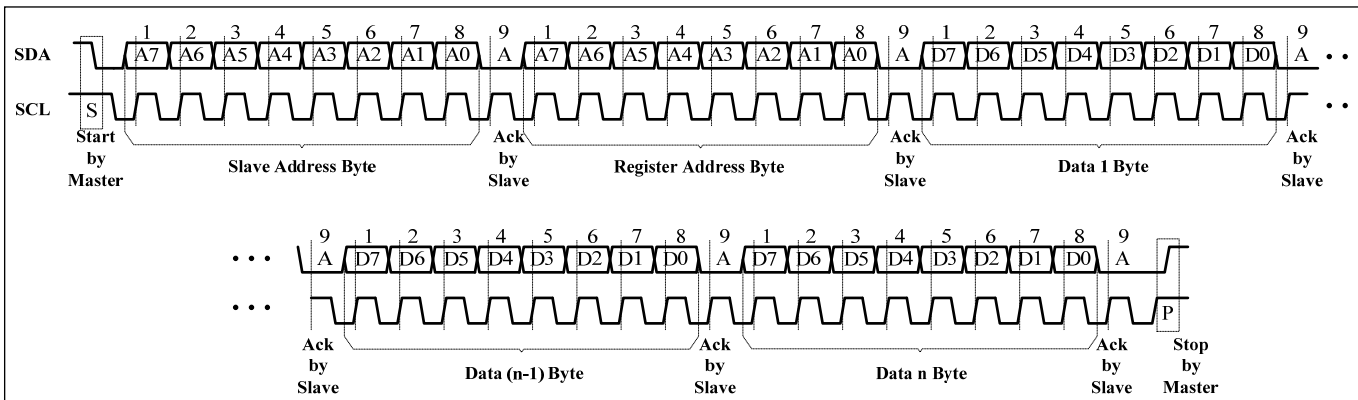


Figure 6 I2C Writing to IS31FL3296 (Automatic Address Increment)

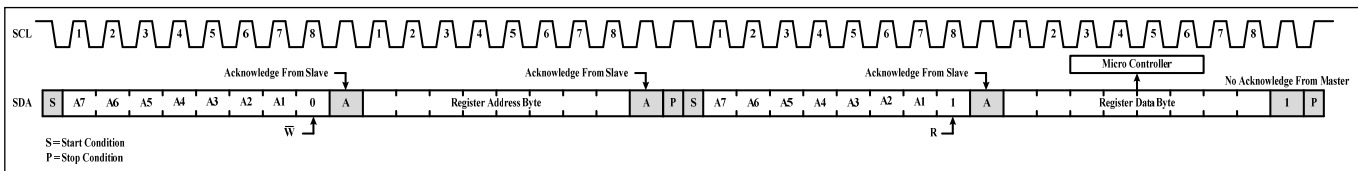


Figure 7 I2C Reading from IS31FL3296

# IS31FL3296

**Table 2 Registers Definitions**

Address	Name	Function	R/W	Table	Default
00h	Product ID	For read only, read result is Slave address	R	-	-
01h	Shutdown Control Register	Set power down mode and outputs shutdown control	R/W	3	0000 0000
02h	Output Enable Register 1	Enable output 1~5	R/W	4	0001 1111
03h	Output Enable Register 2	Enable output 6	R/W	5	0000 1111
04h	Operation Configure Register 1	Set output 1~3 operation mode	R/W	6	0000 0000
05h	Operation Configure Register 2	Set output 4~6 operation mode	R/W	7	0000 0000
07h	Global Current Control Register	Set global current	R/W	9	0000 0000
08h	Hold Function Register	Set the hold function of each Output	R/W	10	0000 0000
09h	V_BM Function Register	Clock and V_BM mark	R/W	11	0000 0000
0Bh	PWM Frequency Adjust Unlock Register	Unlock the 0Ch	W	-	0000 0000
0Ch	PWM Frequency Adjust Register	Adjust the PWM Frequency	R/W	12	0000 0000
0Dh~0Fh	3 Pattern State Register	For reading the pattern running state	R	13	0000 0000
10h~15h	OUT1~OUT6 Current Level Register	Output current level data register	R/W	14	0000 0000
10h~15h	Color 1 Setting Register of Pattern	Output current level data register-Color 1	R/W	15	0000 0000
20h~25h	Color 2 Setting Register of Pattern	Output current level data register-Color 2	R/W		0000 0000
30h~35h	Color 3 Setting Register of Pattern	Output current level data register-Color 3	R/W		0000 0000
19/29/39h	Pattern TS &T1 Setting Register	Set the TS~T1 time	R/W	18	0000 0000
1A/2A/3Ah	Pattern T2 &T3 Setting Register	Set the T2~T3 time	R/W	19	0000 0000
1B/2B/3Bh	Pattern TP &T4 Setting Register	Set the TP~T4 time	R/W	20	0000 0000
1C/2C/3Ch	Pattern Color Enable Register	Set the color enable/disable	R/W	21	0000 0001
1D/2D/3Dh	Pattern Color Cycle Times Register	Set color repeat time	R/W	22	0000 0000
1E/2E/3Eh	Pattern Register	Set next step and Gamma of each pattern	R/W	23	0000 0000
1F/2F/3Fh	Pattern Loop Times Register	Set the loop time of Pattern	R/W	24	0000 0000
40h~4Bh	PWM Register	Set PWM data	R/W	16	0000 0000
52h	Color Update Register	Update color data	R/W	-	0000 0000
53h	PWM Update Register	Update PWM data	R/W	-	0000 0000
54/55/56h	Pattern Update Register	Update the time data and start to run pattern	R/W	-	0000 0000
5Fh	Reset Register	Reset the registers value to default	W	-	0000 0000

# IS31FL3296

**Table 3 01h Shutdown Control Register**

Bit	D7	D6	D5	D4	D3:D2	D1	D0
Name	LCAI	IMAX	MS	SYNC	PFS	SLE	SSD
Default	0	0	1	0	00	0	0

The Shutdown Control Register sets software shutdown and sleep modes of IS31FL3296.

When SLE bits are set to “1”, IS31FL3296 puts itself in Sleep Mode if all OUTx outputs are off for >20s. MCU command to the IS31FL3296 will wake it up and disable the sleep mode. In Sleep Mode, all OUTx are off without any bias. I<sub>SLEEP</sub>= 1μA (Typ.). The PFS bit sets the PWM resolution. PWM mode can operate at 220Hz (12-bit, 8+4-bit mode), 440Hz (12-bit, 8+4-bit mode) and 23kHz (8+4-bit mode).

MS and SYNC bit control the CLK pin status. When MS and SYNC are both set to “1”, the CLK pin will have a clock output to support cascade connection between 2 or more IS31FL3296.

**SSD Software Shutdown Enable**

- 0 Software shutdown mode
- 1 Normal operation

**SLE Sleep Mode Enable**

- 0 Sleep mode disable
- 1 Sleep mode enable (20s after no output current)

**PFS PWM Frequency Select**

- 00 220Hz (Force 220Hz in Pattern Mode or PWM mode)
- 01 440Hz (12-bit PWM mode)
- 1x 23kHz (8+4-bit PWM mode, 23kHz)

**LCAI Low Current Accuracy Improve**

- 0 Default maximum 30mA
- 1 1/3 output current, and improve low current accuracy

**IMAX Enable I<sub>OUT(MAX)</sub>=40mA**

- 0 Default 30mA
- 1 I<sub>OUT(MAX)</sub>=40mA

**MS Master Slave**

- 0 Slave, CLK is input
- 1 Master, CLK is clock output or Hi-Z status

**SYNC Enable Synchronization Clock**

- 0 Disable, CLK pin is Hi-Z status
- 1 Enable, CLK is clock output.

**Table 4 02h Output Enable Register 1**

Bit	D7:D5	D4	D3	D2	D1	D0
Name	-	EN5	EN4	EN3	EN2	EN1
Default	000	1	1	1	1	1

**Table 5 03h Output Enable Register 2**

Bit	D7:D4	D0
Name	-	EN6
Default	0000	1

The Output Enable Register enables/disables the outputs independently. The ENx is only effective when SSD= “1”.

**ENx Output Enable Control**

- 0 Output disable
- 1 Output enable

**Table 6 04h Operating Configure Register 1**

Bit	D7	D6	D5:D4	D3:D2	D1:D0
Name	-	RGB	MOD3	MOD2	MOD1
Default	0	0	00	00	00

**Table 7 05h Operating Configure Register 2**

Bit	D7:D6	D5:D4	D3:D2	D1:D0
Name	-	MOD6	MOD5	MOD4
Default	00	00	00	00

The MODx (x=1~6) bits set output operation modes of IS31FL3296.

When RGB= “1”, RGB Mode enables, OUT1~OUT6 running in RGB Mode, the MODx (x=1~6) bits are invalid. When RGB= “0”, OUT1~OUT9 are controlled by the MODx (x=1~6) bits.

**RGB Enable RGB Mode**

- 0 Disable
- 1 Enable

**MODx OUT1~OUT6 LED Mode**

- 00 PWM & Current Level Mode
- 01 Pattern Mode
- 1x Current Level Mode

When the OUTx works in PWM & Current Level Mode, it means the output current is controlled by PWM Registers (40h~4Bh).

When the OUTx works in Pattern Mode, it means the output current is controlled by Color Setting Registers.

# IS31FL3296

When the OUTx works in Current Level Mode, means the output current is controlled by Current Level Register.

**Table 9 07h Global Current Control Register**

Bit	D7:D6	D5:D0
Name	-	GCC
Default	00	11 1111

GCC registers control  $I_{OUT}$  as shown in Formula (1).  
If  $GCC = 0x3F$ ,  $CL = 0xFF$ ,  $I_{OUT} = I_{OUT(MAX)}$

$$I_{OUT} = 30mA \times \frac{GCC}{64} \times \frac{CL}{256} \quad (1)$$

$$GCC = \sum_{n=0}^7 D[n] \cdot 2^n \quad (2)$$

When  $IMAX = "1"$ , the 30mA will become 40mA.

**Table 10 08h Hold Function Register**

Bit	D7:D6	D5	D4	D3	D2	D1	D0
Name	-	HFE3	HTS3	HFE2	HTS2	HFE1	HTS1
Default	00	0	0	0	0	0	0

The Hold Function Register configures hold time for each output in Pattern Mode.

**HTS Hold Time Selection**

- 0 Hold at end of T4 when color loop done (always off)
- 1 Hold at end of T2 when color loop done (always on)

**HFE Hold Function Enable**

- 0 hold function disable
- 1 hold function enable

**Table 11 09h V<sub>BM</sub> Function Register**

Bit	D7	D6	D5:D4	D3:D2	D1:D0
Name	VPE	BME	PAMF	CMF	TP
Default	0	0	00	00	00

The V<sub>BM</sub> stores the V<sub>BM</sub> pin function, the PAMF selects the pattern and TP selects the T1-T4 to have interruption.

**VPE V<sub>BM</sub> Pull high EN**

- 0 Disable, V<sub>BM</sub> is open drain
- 1 Enable, V<sub>BM</sub> is pull to VCC by 100kΩ

**BME Breath mark function enable**

- 0 Disable, CLK/V<sub>BM</sub> is clock function
- 1 Enable, CLK/V<sub>BM</sub> is V<sub>BM</sub> function

**PAMF Pattern mark function**

- 00 Pattern 1
- 01 Pattern 2
- 10 Pattern 3

**CMF Color Mark Function**

- 00 Color 1
- 01 Color 2
- 10 Color 3

**TMP Time point**

- 00 Start of T2
- 01 Start of TP
- 1x Start of T4

**0Bh PWM Frequency Adjust Unlock Register**

Write "0xA5" to 0Bh to unlock the PWM Frequency Adjust Register (0Ch).

**Table 12 0Ch PWM Frequency Adjust Register**

Bit	D7:D3	D2:D0
Name	-	PFA
Default	000	000

Before access to 0Ch, the 0Bh needs to be written with 0xA5 to unlock it.

The PFA bits adjust the PWM Frequency, for example, if PWM frequency is 23kHz at 8+4-bit PWM mode, if PFA is "000", the PWM frequency is 23kHz, if PFA is "001", the PWM frequency is 28.08kHz (+22.07%).

**PFA PWM Frequency Adjust**

- 000 0%
- 001 +22.07%
- 010 +36.29%
- 011 +57.04%
- 100 -51.58%
- 101 -44.48%
- 110 -30.89%
- 111 -15.22%

# IS31FL3296

**Table 13 0Dh~0Fh Pattern State Register (Read Only)**

Bit	D7:D0
Name	Pattern State
Default	0000 0000

The Pattern State Register stores the pattern status. 0Dh register is used for pattern 1, 0Eh for pattern 2, similarly 0Fh for pattern 3.

Below table shows the pattern running state.

Read Result	D7:D0	Pattern State	Color	Time
0x90	1001 0000	Running	-	TS
0x91	1001 0001	Running	Color1	T1
0x92	1001 0010	Running	Color1	T2
0x93	1001 0011	Running	Color1	T3
0xA4	1010 0100	Running	Color1	TP
0xA1	1010 0001	Running	Color2	T1
0xA2	1010 0010	Running	Color2	T2
0xA3	1010 0011	Running	Color2	T3
0xC4	1100 0100	Running	Color2	TP
0xC1	1100 0001	Running	Color3	T1
0xC2	1100 0010	Running	Color3	T2
0xC3	1100 0011	Running	Color3	T3
0x94	1001 0100	Running	Color3	TP
0x95	1001 0101	Running	-	T4
0x00	0000 0000	Not running	-	-

**Table 14 10h~15h OUT1~OUT6 Current Level Register**

Bit	D7:D0
Name	CL
Default	0000 0000

The output current may be computed using the Formula (1):

$$I_{OUT} = 30mA \times \frac{GCC}{64} \times \frac{CL}{256} \quad (1)$$

$$CL = \sum_{n=0}^7 D[n] \cdot 2^n \quad (3)$$

$$I_{LED} = 30mA \times \frac{GCC}{64} \times \frac{CL}{256} \times \frac{PWM}{4096} \quad (4)$$

Where D[n] stands for the individual bit value, 1 or 0, in location n, PWM is the value in 40h~4Bh, I<sub>OUT</sub> is

the peak current of the outputs. I<sub>LED</sub> is the average current of the outputs.

When IMAX= "1", the 30mA will become 40mA.

When IS31FL3296 operates in Current Level Mode, PWM = 4096 in above equation.

For example: in Current Level mode only, if D7:D0 = 10110101,

$$I_{OUT} = 30mA \times (2^7 + 2^5 + 2^4 + 2^2 + 2^0)/256$$

When IS31FL3296 operates in PWM & Current Level Mode, the value of CL and PWM will decide the output current together.

When IS31FL3296 operates in Pattern Mode, PWM changes to make the auto breathing effect.

**Table 15-1 10h~15h Color 1 Setting Register of Pattern (OUT1~OUT6)**

Bit	D7:D0
Name	COL1_Oy
Default	0000 0000

**Table 15-2 20h~25h Color 2 Setting Register of Pattern (OUT1~OUT6)**

Bit	D7:D0
Name	COL2_Oy
Default	0000 0000

**Table 15-3 30h~35h Color 3 Setting Register of Pattern (OUT1~OUT6)**

Bit	D7:D0
Name	COL3_Oy
Default	0000 0000

Color Setting Registers store the color setting for each output in Pattern Mode. Check Pattern Color Setting section for more information about the color setting registers.

When IS31FL3296 operates in Pattern Mode, the value of Color Registers will decide the output current of each output in 256 levels.

The output current may be computed using the Formula (4):

$$I_{OUT} = 30mA \times \frac{COLx\_Oy}{256} \quad (5)$$

$$COLx\_Oy = \sum_{n=0}^7 D[n] \cdot 2^n \quad (6)$$

Where D[n] stands for the individual bit value, 1 or 0, in location n.

For example: if D7:D0 = 10110101,

$$I_{OUT} = 30mA \times (2^7 + 2^5 + 2^4 + 2^2 + 2^0)/256$$

I<sub>OUT</sub> is the peak current of the outputs.

Need to write Color Update Register (52h) to update the data.

# IS31FL3296

**Table 16 40h~4Bh PWM Register**

Reg	41h (43h, 45h)		40h (42h, 44h)
Bit	D7:D4	D3:D0	D7:D0
Name	-	PWM_H	PWM_L
Default	0000	0000	0000 0000

The PWM Registers (40h~4Bh) modulate LED brightness of each channel. When IS31FL3296 operates in PWM & Current Level Mode, each output has 2 bytes to modulate the PWM duty as below Table 17 in 4096 steps, in Pattern Mode, the PWM cannot be accessed.

The value of the PWM Registers decides the average current of each LED noted  $I_{LED}$ .

$I_{LED}$  computed by Formula (1):

$$I_{LED} = 30mA \times \frac{GCC}{64} \times \frac{CL}{256} \times \frac{PWM}{4096} \quad (8)$$

Where  $I_{OUT}$  is the peak current of the outputs.  $I_{LED}$  is the average current of the outputs.

$$PWM = \sum_{n=0}^{11} D[n] \cdot 2^n$$

Where  $D[n]$  stands for the individual bit value, 1 or 0, in location  $n$ .

For example: if PWM\_H = 00001001, PWM\_L = 10110101, N=4096, GCC=63, CL=255,

$$I_{LED} = 30mA \times (2^{11} + 2^8 + 2^7 + 2^5 + 2^4 + 2^2 + 2^0) / 4096$$

**Table 17 Register of PWM & Current Level Mode**

Mode	Register	OUT1	OUT2	OUT3
PWM & Current Level	PWM_H	41h	43h	45h
	PWM_L	40h	42h	44h
	CL	10h	11h	12h
	Register	OUT4	OUT5	OUT6
	PWM_H	47h	49h	4Bh
	PWM_L	46h	48h	4Ah
	CL	13h	14h	15h

**Table 18 19/29/39h Pattern TS & T1 Setting Register**

Bit	D7:D3	D4:D0
Name	T1	TS
Default	0000	0000

The TS & T1 Setting Registers set the TS and T1 time in Pattern Mode. 19h register is used for pattern 1, 29h for pattern 2, similarly 39h for pattern 3.

**TS Pattern Start Time Selection**

0000	0.04s
0001	0.16s
0010	0.31s
0011	0.46s
0100	0.61s
0101	0.92s
0110	1.25s
0111	1.92s
1000	2.52s
1001	3.12s
1010	3.72s
1011	5.04s
1100	6.24s
1101	7.44s
1110	8.76s
1111	9.96s

**T1 Rise Time Selection**

0000	0.04s
0001	0.16s
0010	0.31s
0011	0.46s
0100	0.61s
0101	0.92s
0110	1.25s
0111	1.92s
1000	2.52s
1001	3.12s
1010	3.72s
1011	5.04s
1100	6.24s
1101	7.44s
1110	8.76s
1111	9.96s

**Table 19 1A/2A/3Ah Pattern T2 & T3 Setting Register**

Bit	D7:D3	D4:D0
Name	T3	T2
Default	0000	0000

The T2 & T3 Setting Registers set the T2 and T3 time in Pattern Mode. 1Ah register is used for pattern 1, 2Ah for pattern 2, similarly 3Ah for pattern 3.

**T2 Hold Time Selection**

0000	0.04s
0001	0.16s
0010	0.31s

# IS31FL3296

0011	0.46s
0100	0.61s
0101	0.92s
0110	1.25s
0111	1.92s
1000	2.52s
1001	3.12s
1010	3.72s
1011	5.04s
1100	6.24s
1101	7.44s
1110	8.76s
1111	9.96s

0011	0.46s
0100	0.61s
0101	0.92s
0110	1.25s
0111	1.92s
1000	2.52s
1001	3.12s
1010	3.72s
1011	5.04s
1100	6.24s
1101	7.44s
1110	8.76s
1111	9.96s

### T3 Fall Time Selection

0000	0.04s
0001	0.16s
0010	0.31s
0011	0.46s
0100	0.61s
0101	0.92s
0110	1.25s
0111	1.92s
1000	2.52s
1001	3.12s
1010	3.72s
1011	5.04s
1100	6.24s
1101	7.44s
1110	8.76s
1111	9.96s

### T4 Off Time Selection

0000	0.04s
0001	0.16s
0010	0.31s
0011	0.46s
0100	0.61s
0101	0.92s
0110	1.25s
0111	1.92s
1000	2.52s
1001	3.12s
1010	3.72s
1011	5.04s
1100	6.24s
1101	7.44s
1110	8.76s
1111	9.96s

**Table 20 1B/2B/3Bh Pattern TP &T4 Setting Register**

Bit	D7:D4	D3:D0
Name	T4	TP
Default	0000	0000

The TP & T4 Setting Registers set the TP and T4 time in Pattern Mode. 1Bh register is used for pattern 1, 2Bh for pattern 2, similarly 3Bh for pattern 3.

It should be noted that the sleep mode effective time is 20s, it starts at the end of T3. If T4+TP is too long, pattern loop will stop. When sleep mode enabled, T4 & TP do no longer than 4.20s.

### TP Time between Pulses

0000	0.04s
0001	0.16s
0010	0.31s

**Table 21 1C/2C/3Ch Pattern Color Enable Register**

Bit	D7:D3	D2	D1	D0
Name	-	CE3	CE2	CE1
Default	00000	0	0	1

Color Enable Register enables the color function for each color in Pattern Mode. 1Ch register is used for pattern 1, 2Ch for pattern 2, similarly 3Ch for pattern 3.

### CEx Color Enable Selection

0	Color x disable
1	Color x enable



# IS31FL3296

**Table 22 1D/2D/3Dh Pattern Color Cycle Times Register**

Bit	D7:D6	D5:D4	D3:D2	D1:D0
Name	-	CCT3	CCT2	CCT1
Default	00	00	00	00

Pattern Color Cycle Times Register sets Color loop times for each color. 1Dh register is used for pattern 1, 2Dh for pattern 2, similarly 3Dh for pattern 3.

**CCTx Color Cycle Times Selection**

- 00 Endless
- 01 1 time
- 10 2 times
- 11 3 times

**Table 23-1 1Eh Pattern Register**

Bit	D7:D4	D3	D2	D1:D0
Name	MTPLT1	GAM1	-	NXT1
Default	0000	0	0	00

GAM controls the gamma of pattern. MTPLT controls the loop of Pattern.

**GAM1 Gamma Selection**

- 0 Gamma=2.4
- 1 Linearity

**MTPLT1 Multi-Pulse Loop Time**

- 0000 Endless
- 0001 1 time
- ...
- 1111 15 times

**NXT1 Pattern 1 Next**

- 01 Go to Pattern 2 (Only effective in RGB mode)
- 00/10/11 Just stop

**Table 23-2 2Eh Pattern Register**

Bit	D7:D4	D3	D2	D1:D0
Name	MTPLT2	GAM2	-	NXT2
Default	0000	0	0	00

GAM controls the gamma of pattern. MTPLT controls the loop of Pattern.

**GAM2 Gamma Selection**

- 0 Gamma=2.4
- 1 Linearity

**MTPLT2 Multi-Pulse Loop Time**

- 0000 Endless
- 0001 1 time
- ...
- 1111 15 times

**NXT2 Pattern 2 Next**

- 01 Go to Pattern 1 (Only effective in RGB mode)
- 10 Go to Pattern 3 (Only effective in RGB mode)
- 00/11 Just stop

**Table 23-3 3Eh Pattern Register**

Bit	D7:D4	D3	D2	D1:D0
Name	MTPLT3	GAM3	-	NXT3
Default	0000	0	0	00

GAM controls the gamma of pattern. MTPLT controls the loop of Pattern.

**GAM3 Gamma Selection**

- 0 Gamma=2.4
- 1 Linearity

**MTPLT3 Multi-Pulse Loop Time**

- 0000 Endless
- 0001 1 time
- ...
- 1111 15 times

**NXT3 Pattern 3 Next**

- 01 Go to Pattern 1 (Only effective in RGB mode)
- 10 Go to Pattern 2 (Only effective in RGB mode)
- 00/11 Just stop

**Table 24 1F/2F/3Fh Pattern Loop Times Register**

Bit	D7	D6:D0
Name	PLTx_H	PLTx_L
Default	0	000 0000

Pattern loop Times register sets the loop time of the pattern. 1Fh register is used for pattern 1, 2Fh for pattern 2, similarly 3Fh for pattern 3.

If PLT\_H(D7)=0, PLT\_L!=0  
Pattern loop times:

# IS31FL3296

$$Looptime = \sum_{n=0}^6 D[n] \times 2^n \quad (8)$$

If PLT\_H(D7)=0, PLT\_L=0, endless

If PLT\_H(D7)=1, PLT\_L=0

Pattern loop times:

$$Looptime = 16 \times \sum_{n=0}^6 D[n] \times 2^n \quad (9)$$

If PLT\_H(D7)=1, PLT\_L=0, endless

## 52h Color Update Register

Write "0xC5" to 52h will update the data of 10h~15h/20h~25h/30h~35h.

## 53h PWM Update Register

Write "0xC5" to 53h will update the data of 40~4Bh.

## 54/55/56h Pattern time Update Register

Write "0xC5" to 54/55/56h will update the data of 19h~1Fh/29h~2Fh/39h~3Fh.

## 5Fh Reset Register

Once user writes "0xC5" to the Reset Register, IS31FL3296 will reset all registers to their default value. On initial power-up, the IS31FL3296 registers are reset to their default values for a blank display.

# IS31FL3296

## TYPICAL APPLICATION INFORMATION

### GENERAL DESCRIPTION

IS31FL3296 is a 6-channel fun LED driver with auto breathing mode. It has Pattern Mode and Current Lever Mode for RGB lighting effects.

### CURRENT SETTING

The maximum output current is 30mA. When I<sub>MAX</sub>="1", the 30mA will become 40mA. The Global Current Control register GCC can be used to set a lower current. The 8-bit CL registers (10h~15h) control the individual currents for each of the outputs.

For example, OUT1, OUT2 and OUT3 drive an RGB LED, OUT1 is Red LED, OUT2 is Green LED and OUT 3 is Blue LED. If GCC and CL bits are the same, then the RGB LED may appear pinkish, or not so white. The CL bits can be used to adjust the I<sub>OUTx</sub> current, so the RGB LED appears closer to a pure white color. We call this CL bit adjustment by another name: white balance register.

### PWM FREQUENCY SELECT

The IS31FL3296 output channels operate with a default 12-bit PWM resolution and the PWM frequency of 220Hz. Because all the OUT<sub>x</sub> channels are synchronized, the DC power supply will experience large instantaneous current surges when the OUT<sub>x</sub> channels turn ON. These current surges will generate an AC ripple on the power supply which causes stress to the decoupling capacitors. When the AC ripple is applied to a monolithic ceramic capacitor chip (MLCC) it will expand and contract causing the PCB to flex and generate audible hum in the range of between 20Hz to 20kHz, to avoid this hum, there are many countermeasures, such as selecting the capacitor type and value which will not cause the PCB to flex and contract.

An additional option for avoiding audible hum is to set the IS31FL3296's output PWM frequency above the audible frequency range. The Control Register (00h) can be used to set the switching frequency to 220Hz/440Hz/23kHz. Combination settings of the PFS bits will result in different PWM frequency, select a value higher than 20kHz to avoid the audible frequency range.

### PWM CONTROL

The PWM Registers (40h~4Bh) can modulate LED brightness of each channel with 4096 steps. For example, if the data in PWM<sub>H</sub> Register is "0000 0000" and in PWM<sub>L</sub> Register is "0000 0100", then the PWM is 4/4096.

Writing new data continuously to the registers can modulate the brightness of the LEDs to achieve a breathing effect.

### CURRENT LEVEL MODE

The Current Level Registers (10h~15h) are active and can modulate LED peak current I<sub>OUT</sub> of each output with 256 steps independently. For example, if the data in Current Lever Register is "0000 0100", then the current level is the fourth step, with a current level of 4/256.

In Current Level Mode, user doesn't need to turn on the CEx of 1Ch, a new value must be written to the Current Level registers to change the output current. Writing new data continuously to the registers can modulate the brightness of the LEDs to achieve breathing, blinking, or any other effects that the user defines.

In Current Level Mode, the output current (OUT1~OUT6) is configured by the Current Level Register (10h~15h).

### PWM & CURRENT LEVEL MODE

PWM & Current Level Mode is the combination of PWM and Current Level Mode. In this mode, the Current Level Registers (10h~15h) adjust the peak current (I<sub>OUT</sub>) of the outputs, the PWM Registers (40h~4Bh) adjust the duty cycle of the output current, the final result is the output average current I<sub>LED</sub>.

**Table 17 Register of PWM & Current Level Mode**

Mode	Register	OUT1	OUT2	OUT3
PWM & Current Level	PWM <sub>H</sub>	41h	43h	45h
	PWM <sub>L</sub>	40h	42h	44h
	CL	10h	11h	12h
	Register	OUT4	OUT5	OUT6
	PWM <sub>H</sub>	47h	49h	4Bh
	PWM <sub>L</sub>	46h	48h	4Ah
	CL	13h	14h	15h

### RGB MODE

By setting the RGB bits of the Operating Configure Register 1 (04h) to "1", the IS31FL3296 will operate in One Shot Programming mode. In this mode 6 channels (2 groups RGB) can be modulated breathing cycle independently by TS~TP (Figure 11). Setting different TS~T4 can achieve RGB breathing with auto color changing. OUT1~OUT6 running in Pattern 1 to Pattern 3. The maximum intensity of each RGB can be adjusted independently by the Color Setting Registers (10h~15h/20h~25h/30h~35h) (Table 25).

Note, if IS31FL3296 operates in the One-Shot Programming mode and then enters the shutdown mode, an 8-bit data write operation to the Time

# IS31FL3296

Update Register is required to restart the LED breathing effect after the IC is re-enabled.

**Table 25 Color Register of RGB Mode**

Pattern Mode	Color Enable	OUT1	OUT2	...	OUT6
Pattern 1	CE1(1Ch)	10h	11h	...	15h
	CE2(1Ch)	20h	21h	...	25h
	CE3(1Ch)	30h	31h	...	35h
Pattern 2	CE1(2Ch)	10h	11h	...	15h
	CE2(2Ch)	20h	21h	...	25h
	CE3(2Ch)	30h	31h	...	35h
Pattern 3	CE1(3Ch)	10h	11h	...	15h
	CE2(3Ch)	20h	21h	...	25h
	CE3(3Ch)	30h	31h	...	35h

## PATTERN MODE

By setting the MOD1~MOD6 bits of the Operating Configure Register (04h/05h) to "01", the corresponding output will operate in Pattern Mode. In Pattern Mode, the timing characteristics for output current - current rising (T1), holding (T2), falling (T3) and off time (TS, TP, T4) (Figure 10), can be adjusted individually so that each output can independently maintain a pre-established pattern achieving mixing color breathing or a single-color breathing without requiring any additional interface activity, thus saving valuable system resources. OUT1~OUT3 running in Pattern 1, OUT4~OUT6 running in Pattern 2.

## PATTERN COLOR SETTING

In Pattern Mode, the LED color is defined by COLx\_Oy (x=1, 2, 3, y= 1, 2) bits in Color Setting Registers (10h~15h/20h~25h/30h~35h). There are 3 RGB current combinations to generate 3 pre-defined colors for display. More than one of the 3 pre-defined colors can be chosen by setting CEx bits in Color Enable Register (1Ch/2Ch/3Ch). When CEx is set, the color x is allowed to be displayed in current pattern.

In Pattern Mode, the output current (OUT1~OUT6) is configured by the Color Setting Register of Pattern as Table 26.

**Table 26 Color Register of Pattern Mode**

Pattern Mode	Color Enable	OUT1	OUT2	OUT3
Pattern 1	CE1(1Ch)	10h	11h	12h
	CE2(1Ch)	20h	21h	22h
	CE3(1Ch)	30h	31h	32h
Pattern Mode	Color Enable	OUT4	OUT5	OUT6
Pattern 2	CE1(2Ch)	13h	14h	15h
	CE2(2Ch)	23h	24h	25h
	CE3(2Ch)	33h	34h	35h

## PATTERN TIME SETTING

User should configure the related pattern time setting registers according to actual timing requirements via I2C interface before starting pattern. The pattern time includes TS, T1~T4 and TP. And the pattern has three continue lighting cycle as Color 1~Color 3. Please check the LED OPERATING MODE section for more about the time setting.

## GAMMA CORRECTION

In order to perform a better visual LED breathing effect, the device integrates gamma correction to the Pattern Mode. The gamma correction causes the change in intensity to appear more linear to the human eye.

Gamma correction, also known as gamma compression or encoding, is used to encode linear luminance to match the non-linear characteristics of display. Since the IS31FL3296 can modulate the brightness of the LEDs with 256 steps, a gamma correction function can be applied when computing each subsequent LED intensity setting such that the change in brightness matches the human eye's brightness curve.

The IS31FL3296 provides three gamma corrections which can be set by GAM bits of Pattern Registers (1Eh/2Eh/3Eh) for each pattern. The gamma correction is shown as below.

## BREATHING MARK FUNCTION

In RGB mode or pattern mode, by setting the BME bit of the Breathing Mark Register (09h) to "1", the breathing mark function is enabled. If the BME bit sets to "0", the breathing mark function disabled. The CLK/V\_BM pin is used as CLK. V\_BM is an output pin. The breathing mark function is useful as a signal to notify the MCU when and where the pattern or color is running.

After selecting the PAMF (Pattern Mark Function) and CMF (Color Mark Function),

When you choose start of T2 (TMP=00): At the start time T2, V\_BM will induce a falling edge and hold

# IS31FL3296

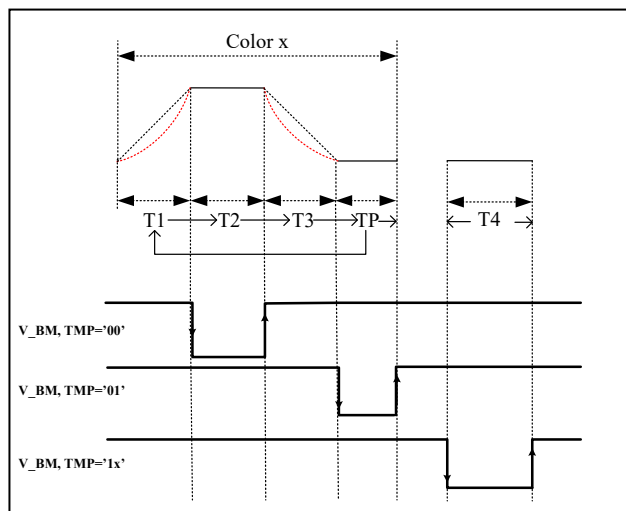
logic low, at the end of time period T2, V<sub>BM</sub> will induce a rising edge.

When you choose start of TP(TMP=01): At the start time TP, V<sub>BM</sub> will induce a falling edge and hold logic low, at the end of time period TP, V<sub>BM</sub> will induce a rising edge.

When you choose start of T4(TMP=1x): At the start time T4, V<sub>BM</sub> will induce a falling edge and hold logic low, at the end of time period T4, V<sub>BM</sub> will induce a rising edge.

The VPE bit of 09h sets the pull up of the V<sub>BM</sub> pin, when VPE= "0", the V<sub>BM</sub> is open drain and it needs external pull up resistor.

When VPE= "1", the V<sub>BM</sub> is pulled to internal VCC by 100kΩ.



**Figure 8** V<sub>BM</sub> function

## SHUTDOWN MODE

Shutdown mode can either be used as a means of reducing power consumption or generating a flashing display (repeatedly entering and leaving shutdown mode). During shutdown mode all registers retain their data.

### Software Shutdown

By setting SSD bit of the Shutdown Register (01h) to "0", the IS31FL3296 will operate in software shutdown mode, wherein it will consume only 0.4μA (typ.) current. When the IS31FL3296 is in software shutdown mode, all current sources are switched off.

### Hardware Shutdown

The chip enters hardware shutdown mode when the SDB pin is pulled low, wherein they consume only 0.4μA (Typ.) current. When set SDB high, the rising edge will reset the I2C module, but the register information retains.

# IS31FL3296

## LED OPERATING MODE

The IS31FL3296 has three operating modes which can be chosen by the MODx bits of Operating Configure Register (04h/05h).

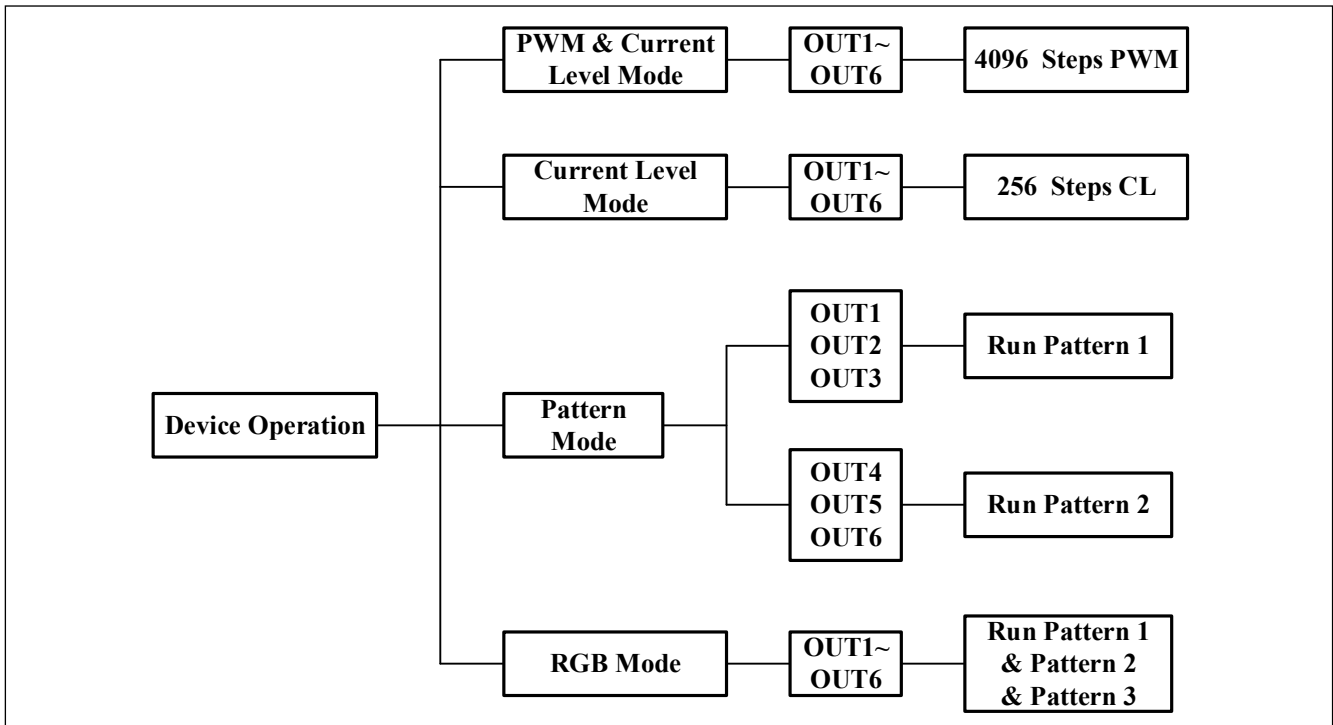


Figure 9 Operating Mode Map

# IS31FL3296

## Pattern Mode

If MODx= 01 (Pattern Mode), OUT1~OUT3 can operate in Pattern Mode only and run the pattern 1, OUT4~OUT6 run the pattern 2.

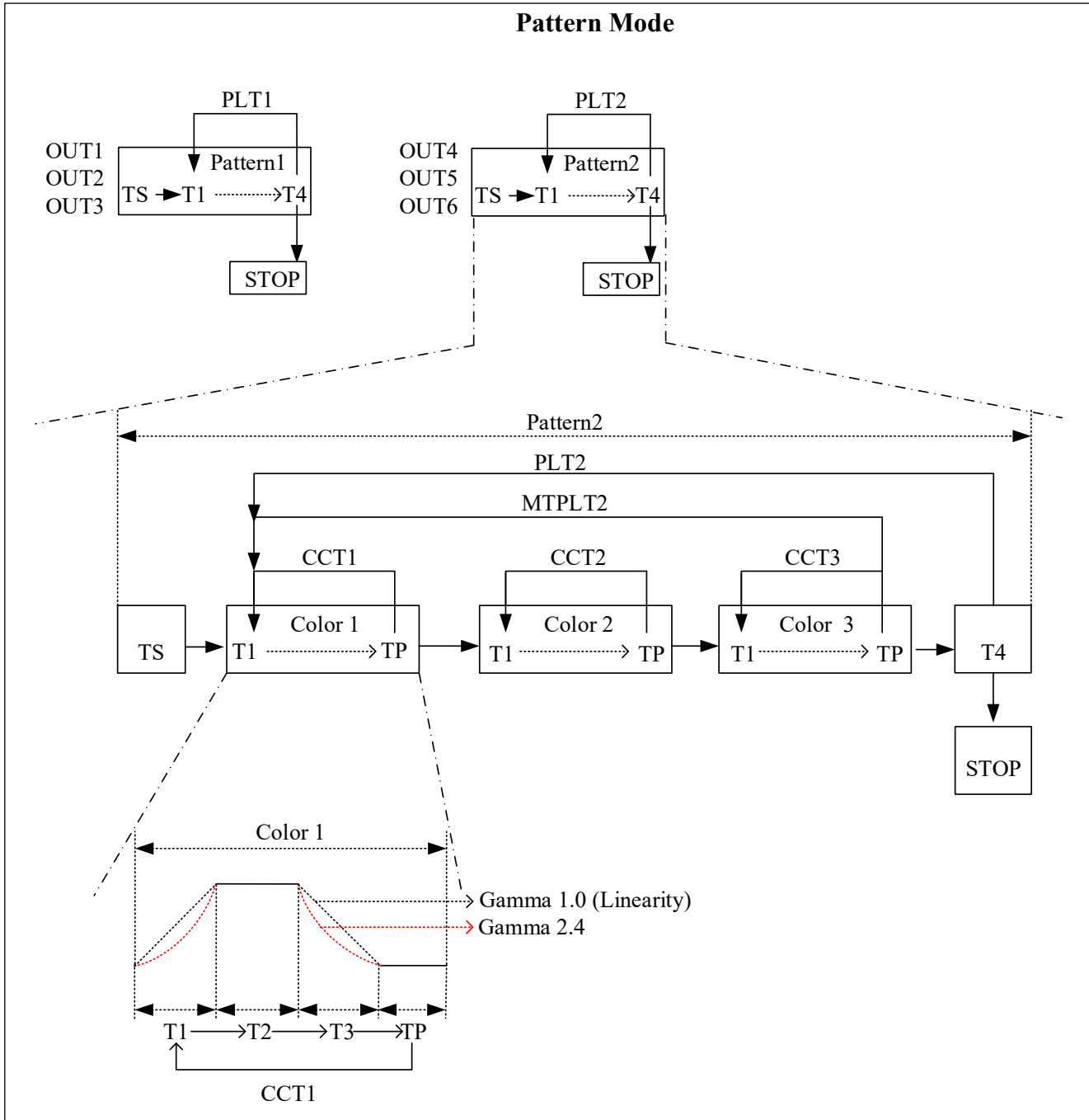


Figure 10 Pattern Mode

# IS31FL3296

## RGB Mode

If RGB= 1 (RGB Mode), OUT1~OUT6 can operate in Pattern Mode only and run pattern 1 and pattern 2 and pattern 3.

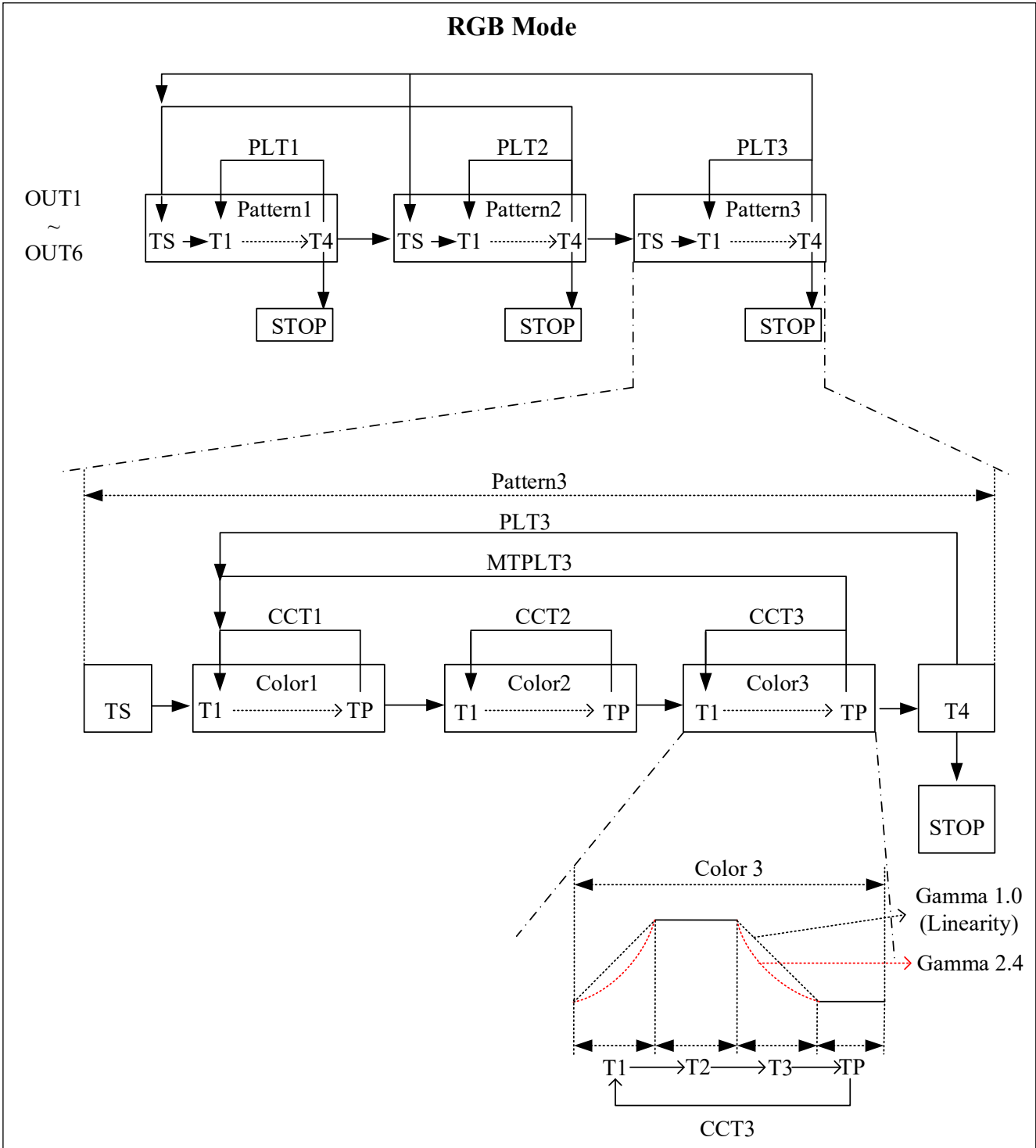


Figure 11 RGB Mode



# IS31FL3296

## CLASSIFICATION REFLOW PROFILES

Profile Feature	Pb-Free Assembly
<b>Preheat &amp; Soak</b> Temperature min (T <sub>smin</sub> ) Temperature max (T <sub>smax</sub> ) Time (T <sub>smin</sub> to T <sub>smax</sub> ) (t <sub>s</sub> )	150°C 200°C 60-120 seconds
Average ramp-up rate (T <sub>smax</sub> to T <sub>p</sub> )	3°C/second max.
Liquidous temperature (T <sub>L</sub> ) Time at liquidous (t <sub>L</sub> )	217°C 60-150 seconds
Peak package body temperature (T <sub>p</sub> )*	Max 260°C
Time (t <sub>p</sub> )** within 5°C of the specified classification temperature (T <sub>c</sub> )	Max 30 seconds
Average ramp-down rate (T <sub>p</sub> to T <sub>smax</sub> )	6°C/second max.
Time 25°C to peak temperature	8 minutes max.

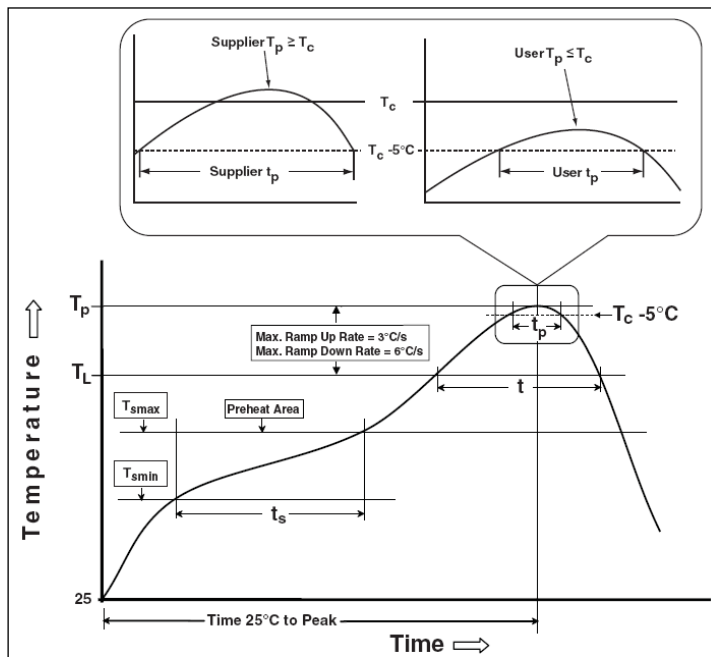
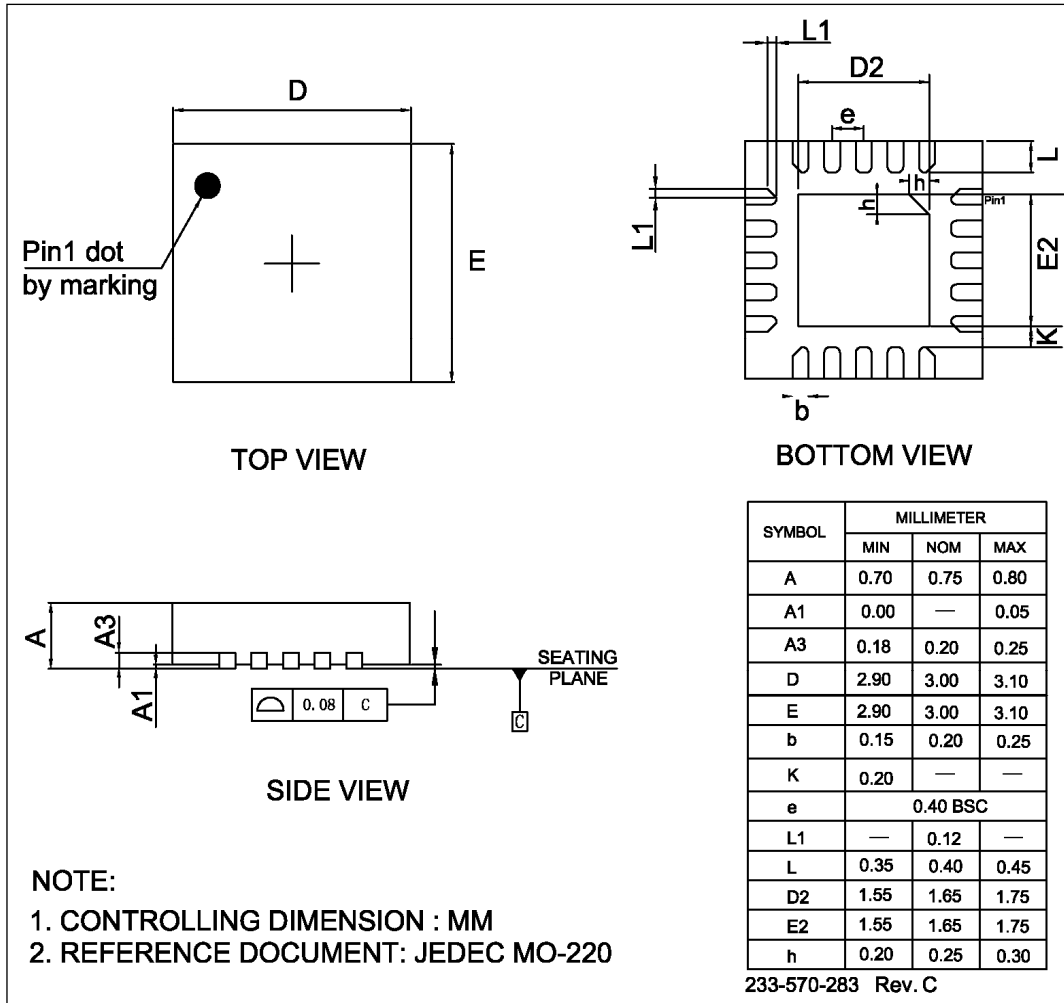


Figure 12 Classification Profile

# IS31FL3296

## PACKAGE INFORMATION

### QFN-20

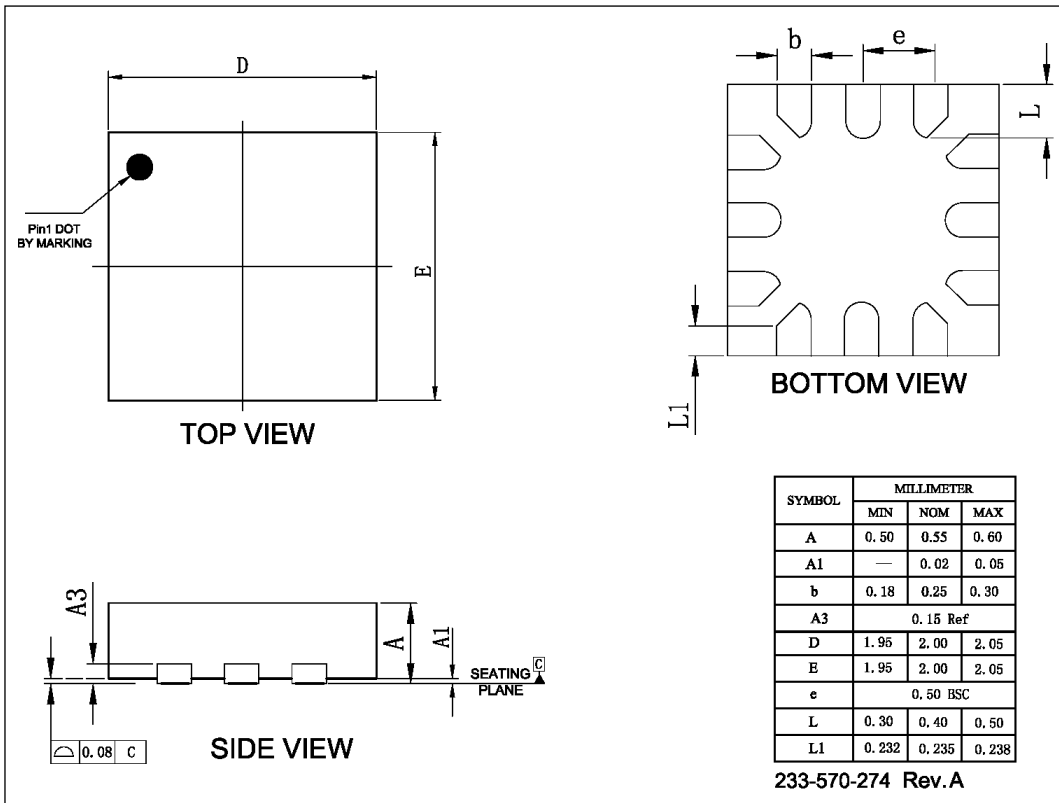


**NOTE:**

1. CONTROLLING DIMENSION : MM
2. REFERENCE DOCUMENT: JEDEC MO-220

# IS31FL3296

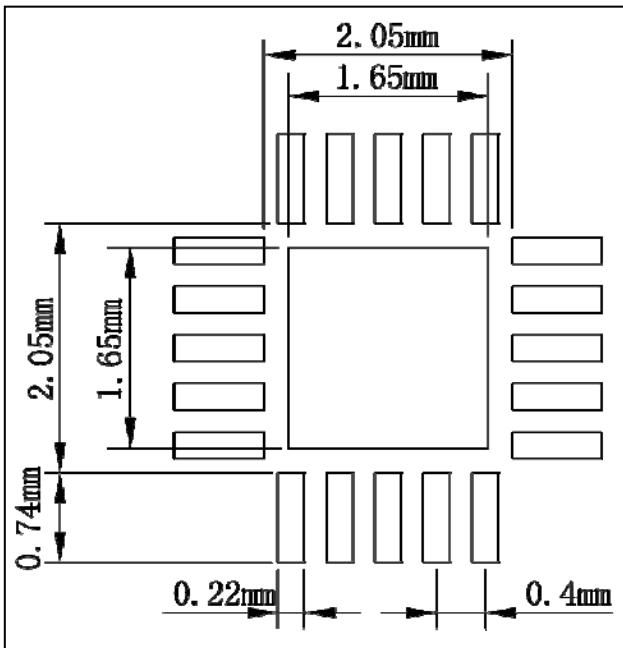
UTQFN-12



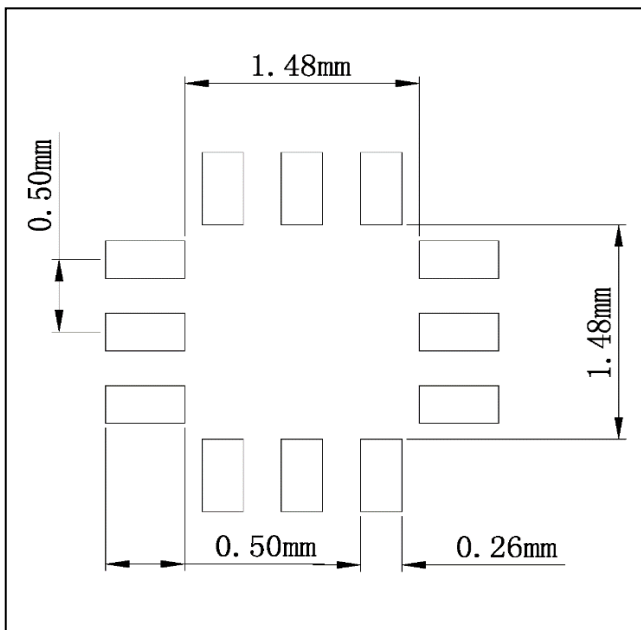
# IS31FL3296

## RECOMMENDED LAND PATTERN

### QFN-20



### UTQFN-12



**Note:**

1. Land pattern complies to IPC-7351.
2. All dimensions in MM.
3. This document (including dimensions, notes & specs) is a recommendation based on typical circuit board manufacturing parameters. Since land pattern design depends on many factors unknown (e.g., User's board manufacturing specs), user must determine suitability for use.

# IS31FL3296

## REVISION HISTORY

Revision	Detail Information	Date
0A	Initial release	2022.05.23
0B	Update the EC table and add the UTQFN-12 package	2022.09.08
A	Release to mass production	2022.09.19
B	Update Operating Configure Register (04h/05h) address in Patter Mode and LED Operating Mode section	2023.03.16
C	<ol style="list-style-type: none"> <li>1. Correct the definition of 0D~0Fh Pattern State Register</li> <li>2. Correct the definition of (TMP) Time Mark Point in 09h V_BM Function Register</li> <li>3. Add BREATHING MARK FUNCTION in TYPICAL APPLICATION INFORMATION</li> </ol>	2023.08.09