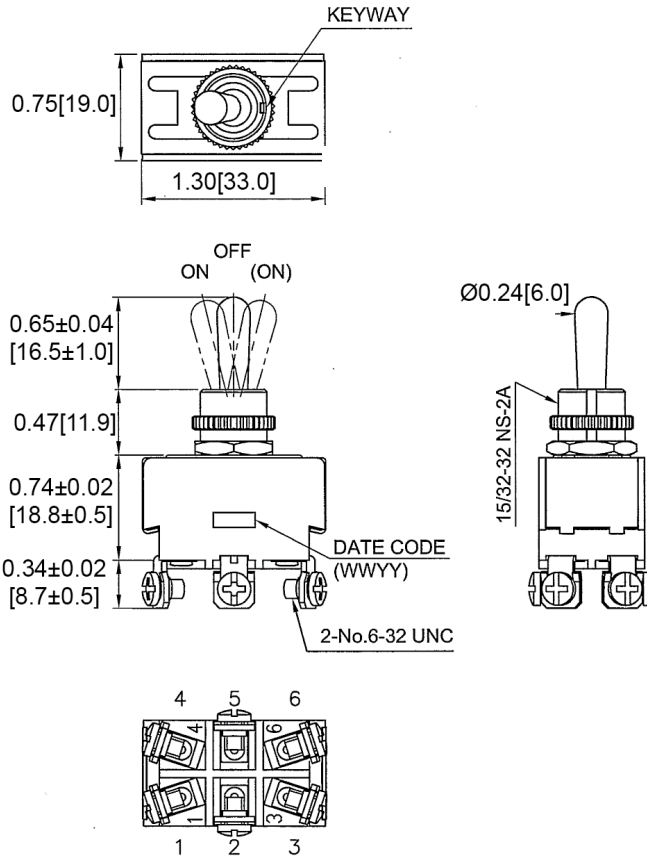
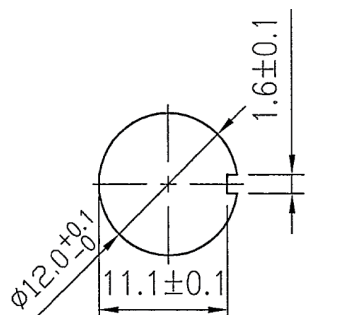


## Mechanical Dimensions: Inches [mm]

Tolerances  $\pm 0.012$  [0.3] Unless Otherwise Specified



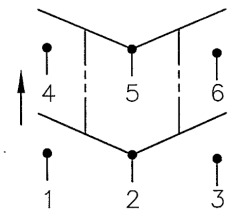
## Mounting Hole



Thickness: 0.24 [6.0mm] max

## Circuit Diagram

6P DPDT ON-OFF-(ON)



## Electrical Specifications

<b>DC Rating</b>	21A 14V DC
<b>AC Rating</b>	20A 125V AC, 10A 277V AC, 1 1/2HP 125-250V AC 10(4)A 125/250V AC
<b>Contact Resistance</b>	50m ohm Max
<b>Insulation Resistance</b>	DC 500V 100M ohm Min
<b>Dielectric Strength</b>	AC 1500V 1 minute

## Material Specifications

1 Hex Nut Assy	
1 Knurl Nut Assy	
<b>Operation Temperature</b>	800gf±300gf
<b>Ingress Protection (With WT2 Boot)</b>	IPX6 (Above Mounted Panel Only)

Rev	Date of issue	Revision Notes	Designed	Approved
B	06-07-2021	Initial Drawing	RC	OF