

# 056

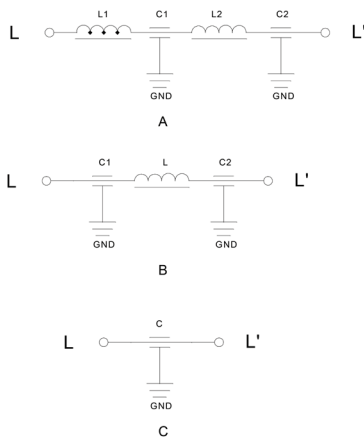
## FEED-THROUGH FILTERS & FEED-THROUGH CAPACITORS

### FEATURES

- » Rated currents include **5A, 15A, 25A and 60A, 100A, 200A, 300A**
- » Available with various mounting bushing and all types of terminals
- » Provides high insertion loss over a broad band of frequencies from KHz to GHz frequency levels
- » Agency Approved to UL1283 / 60929, CSA C22.2, EN60068-1



### ELECTRICAL SCHEMATIC



### SPECIFICATIONS

OPERATING FREQUENCY	50/60/400 Hz
USABLE FREQUENCY	DC - 400 Hz
MAX. OPERATING VOLTAGE	UP TO 500 VAC/2000VDC
AMBIENT TEMPERATURE	-25 TO 40°C
CLIMATIC CATEGORY	25/100/21
TERMINALS (-T)	SCREW TYPE (M3 5A) (M4 15-25A) (M5&M6 - 60A) (M8 -100A) (M10-200A) (M12 - 300A)

TYP. WEIGHT, LBS (KG) 0.2 (0.05)

### HIPOT RATINGS

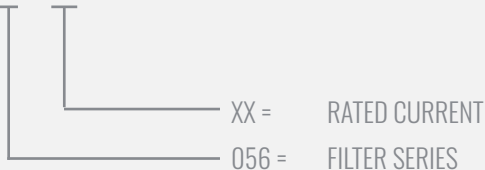
LINE TO GROUND 1450 VDC or Higher

### TYPICAL APPLICATIONS

- ✓ Shielded facilities
- ✓ Base stations
- ✓ MRI systems
- ✓ MRI gradient amplifiers
- ✓ telecommunications systems
- ✓ Servers
- ✓ Switch mode power supply
- ✓ Military equipment

### HOW TO ORDER

056.0XX10.00



**NOTE:** USE ANY COMBINATION OF -X (AMPS) WITH ANY -Y RATINGS

E.G. **056.00510.00** (5AMPS)

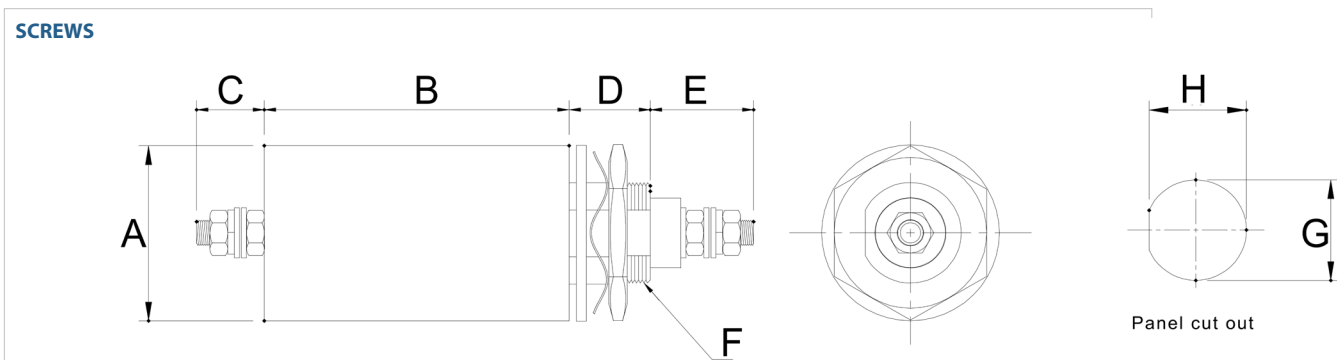
For **X** options see product specification table.

# 056

## FEED-THROUGH FILTERS & FEED-THROUGH CAPACITORS

MODEL NO.	RATED CURRENT, A @ 60° C	RATED VOLTAGE	TERMINAL OPTIONS		MAX. DIMENSIONS" (MM)	
			INPUT	OUTPUT	WIDTH	(LENGTH)
056.00510.00	5	100 VDC	M3 Screw	M3 Screw	2.52" (64)	2.36" (60)
056.00530.00	5	250 VAC	M3 Screw	M3 Screw	2.52" (64)	2.30" (58.3)
056.01510.00	15	100 VDC	M4 Screw	M4 Screw	2.52" (64)	2.36" (60)
056.01530.00	15	250 VAC	M4 Screw	M4 Screw	2.52" (64)	2.30" (58.3)
056.02510.00	25	100 VDC	M4 Screw	M4 Screw	2.52" (64)	2.36" (60)
056.02530.00	25	250 VAC	M4 Screw	M4 Screw	2.52" (64)	2.30" (58.3)
056.06010.00	60	100 VDC	M6 Screw	M6 Screw	2.52" (64)	2.36" (60)
056.06030.00	60	250 VAC	M6 Screw	M6 Screw	2.52" (64)	2.30" (58.3)
056.10001.00	100	130/250 VAC	M8 Screw	M8 Screw	2.52" (64)	2.36" (60)
056.10020.00	100	200 VDC	M8 Screw	M8 Screw	2.52" (64)	2.30" (58.3)
056.10030.00	100	250 VAC	M8 Screw	M8 Screw	2.52" (64)	2.36" (60)
056.10040.00	100	1000 VDC	M8 Screw	M8 Screw	2.52" (64)	2.30" (58.3)
056.20020.00	200	200 VDC	M10 Screw	M10 Screw	2.52" (64)	2.36" (60)
056.20030.00	200	250 VAC	M10 Screw	M10 Screw	2.52" (64)	2.30" (58.3)
056.20040.00	200	1000 VDC	M10 Screw	M10 Screw	2.52" (64)	2.36" (60)
056.30020.00	300	200 VDC	M12 Screw	M12 Screw	2.52" (64)	2.30" (58.3)
056.30040.00	300	1000 VDC	M12 Screw	M12 Screw	2.52" (64)	2.36" (60)
056.30050.00	300	2000 VDC	M12 Screw	M12 Screw	2.52" (64)	2.30" (58.3)

### 056 MECHANICAL OUTLINES" (MM)



# 056

## FEED-THROUGH FILTERS & FEED-THROUGH CAPACITORS

SERIES	(A)	B	C	D	E	F	G	H
<b>SCREWS (5A)</b>	1.18"(30)	4.53"(115)	0.59"(15)	0.63"(16)	0.79"(20)	M12*0.75	0.48"(12)	0.44"(11)
<b>SCREWS (15A)</b>	1.18"(30)	4.53"(115)	0.67"(17)	0.63"(16)	0.87"(22)	M12*0.75	0.48"(12)	0.44"(11)
<b>SCREWS (25A)</b>	1.38"(35)	4.72"(120)	0.67"(17)	0.63"(16)	0.87"(22)	M14*1.00	0.56"(14)	0.52"(13)
<b>SCREWS (60A)</b>	1.38"(35)	4.72"(120)	0.71"(18)	0.63"(16)	0.98"(25)	M20*1.00	0.80"(20)	0.76"(19)
<b>SCREWS (100A)</b>	1.06"(27)	1.30"(33)	1.26"(32)	0.63"(16)	1.26"(32)	M20*1.00	0.80"(20)	0.76"(19)
<b>SCREWS (200A)</b>	1.77"(45)	5.51"(140)	1.18"(30)	0.63"(16)	1.57"(40)	M32*1.5	1.27"(32)	1.17"(30)
<b>SCREWS (300A)</b>	2.36"(60)	6.69"(170)	1.65"(42)	0.63"(16)	2.05"(52)	M32*1.5	1.27"(32)	1.17"(30)

TYPICAL TOLERANCE: +/- 0.02" (0.50MM)

**\*CONTACT FACTORY FOR TYPICAL INSERTION LOSS, dB (50/50 Ohm)**