



AUDIO
TECHNOLOGIES®

1/4" PHONE PLUGS

TCH SERIES - TS & TRS - RIGHT ANGLE

Io Audio Technologies' TCH Series 1/4" plugs are designed to have a sleek and fresh appearance while providing some upgrades in mechanics. Available in this series are two and three pole, straight and right-angled 1/4" plugs for audio and control applications.



IO-T2MCH-R

IO-T3MCH-R

SPECIFICATIONS

PRODUCT

Gender: **Male**

Contacts: **2 (IO-T2MCH-R), 3 (IO-T3MCH-R)**

ELECTRICAL

Capacitance Between Contacts: **< 8.2 pF**

Capacitance Between Contact and Ground: **< 6.5 pF**

Contact Resistance: **Depends on Mating Connector**

Insulation Resistance: **≥ 100 MΩ**

Dielectric Strength: **500 V AC @ 60 s**

Rated Voltage: **< 100 V DC**

Rated Current per Contact: **Depends on Mating Connector**

ENVIRONMENTAL

Standard Compliance: **IEC 60603-11 / EIA RS-453**

Temperature Range: **-40°C ~ +70° C (-40°F ~ +158°F)**

MECHANICAL

Lifetime: **> 1000 Mating Cycles**

Cable O.D.: **4.0 - 6.0mm**

Wiresize (T2MCH-R): **2.25mm Max**

Wiresize (T3MCH-R): **1.20mm Max**

Solderability: **Complies with IEC 60068-2-20**

MATERIAL

Plug: **Brass**

Plug Plating: **Gold**

Contacts: **Brass**

Contact Plating: **Silver**

Strain Relief: **Brass**

Strain Relief Finish: **Silver**

Shell: **Brass**

Shell Plating: **Nickel Tin**

Plastic Tube: **PP**

Bushing: **PVC**

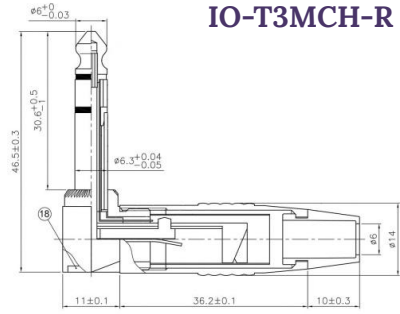
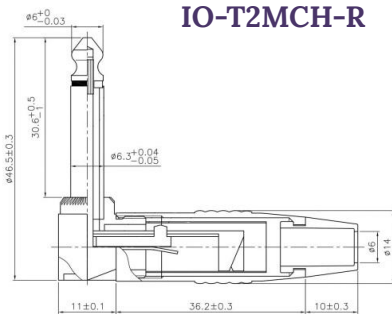
Bushing Color: **Black**

Product specifications may change without prior notification

Io Audio Technologies® is a registered trademark of Knight Electronics, Inc.
10557 Metric Dr. Dallas, TX 75243 | 214-340-0265 | 800-323-2439 | Fax: 214-340-5870 |
www.ioaudiotكنولوجies.com



DRAWINGS



FEATURES & APPLICATIONS

The TCH Series right angle ¼” plugs feature a nickel tin plated brass shell housing designed to allow for smoother plugging and unplugging. Gold plated plug contacts and silver plated wire terminals are standard, as well as solder termination and a threaded housing assembly. They include an internal clamp that can be tightened onto the cable jacket to provide strain relief while the black rubber boot protects the junction from excessive bending.

TCH Series right angle ¼” plugs meet the most recent requirements for highest density jack fields (15.88), so they can be used in a variety of applications including use with various instruments and patch bays for home or professional studios.

PART NUMBER BREAKDOWN

IO-**T**2MCH-R
Series Identifier
IO-T**2**MCH-R
Number of Poles
IO-T2**M**CH-R
Gender
IO-T2M**C**H-R
Body Identifier
IO-T2MCH-**R**
Right Angle Plug

STANDARDS & CLASSIFICATIONS



Product specifications may change without prior notification