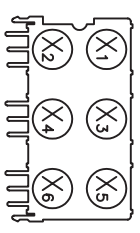
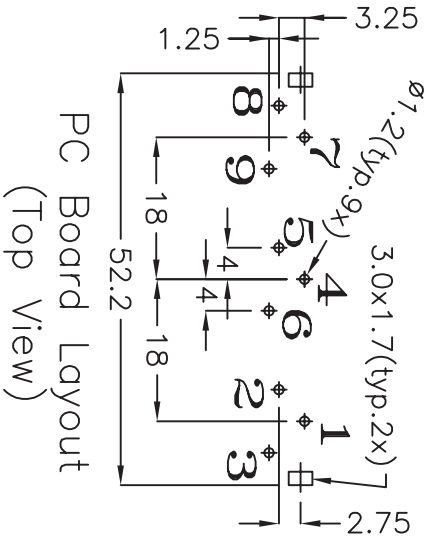


ROHS Compliant



Color Chart
1 = Black
2 = Red
3 = White
4 = Yellow
5 = Blue
6 = Green



Example: (Black, Red, White, Yellow, Blue, Green)  
 RCJ-61X<sub>1</sub>X<sub>2</sub>X<sub>3</sub>X<sub>4</sub>X<sub>5</sub>X<sub>6</sub> = RCJ-61123456

Part No.	Input X <sub>1</sub>	Input X <sub>2</sub>	Input X <sub>3</sub>	Input X <sub>4</sub>	Input X <sub>5</sub>	Input X <sub>6</sub>
RCJ-61212121	Red	Black	Red	Black	Red	Black
RCJ-61343434	White	Yellow	White	Yellow	White	Yellow
RCJ-61232323	Red	White	Red	White	Red	White
RCJ-61223344	Red	Red	White	White	Yellow	Yellow
RCJ-61X <sub>1</sub> X <sub>2</sub> X <sub>3</sub> X <sub>4</sub> X <sub>5</sub> X <sub>6</sub>	Color X <sub>1</sub>	Color X <sub>2</sub>	Color X <sub>3</sub>	Color X <sub>4</sub>	Color X <sub>5</sub>	Color X <sub>6</sub>

No.	Description	Material	Qty	Finish
1	Earth Terminal (Barrel)	0.5t Brass	3	Nickel Plated
2	Terminal D	0.5t Brass	3	Silver Plated
3	Terminal T	0.5t Brass	3	Silver Plated
4	Base	ABS	1	Black Color
5	Cover	ABS	3	Black Color
6	Input	PBT	6	See Color Index

**CUI DEVICES**  
 6405 SW Rosewood St, Suite C  
 Lake Oswego, OR 97035  
 Phone: 877-323-3576  
 Website: www.cuidevices.com



TITLE: **RCA Jack, 6 port, 2x3, Right Angle, PCB Mount**  
 PART NO: RCJ-61XXXXXX  
 UNITS: Millimeters  
 DRAWN BY: Todd R. White  
 APPROVED BY:  
 SCALE: 1x

- Specifications:
- Insulation Resistance: 100MΩhms min. (initial)
  - Contact Resistance (initial): 30mΩhms max at 100mA(max) 1KHz.
  - Dielectric Withstand Voltage: AC 500V, 60Hz for 1 minute.
  - Insertion Force: 3Kgs max.
  - Extraction Force: 0.08Kgs min.
  - Humidity Test: 40±2, 90~95%, 48 hours.