

, solder terminal, screened, 2-pole, Audio Plug/Sockets, 3.5 mm



See below:

**Approvals and Compliances**

**Description**

- Solder :
- Screw-on mounting , rear-side
- Audio entrances and exits
- Data and Signal transfer
- Audio Plug: 2-pole , shielded , straight

**References**

Substitute for type [4832.2200](#)

**Weblinks**

[pdf data sheet](#), [html datasheet](#), [General Product Information](#), [Distributor-Stock-Check](#), [Detailed request for product](#)

**Technical Data**

|                       |                   |                                 |  |
|-----------------------|-------------------|---------------------------------|--|
| Diameter              | 3.5 mm            | Allowable Operation Temperature | -20 °C to 70 °C                                |
| Number of Poles       | 2-pole            | Terminal                        | solder terminal silver plated                  |
| Ratings DC            | 0.5 A / 30VDC     | Mounting                        | Screw-on mounting<br>wall thickness max. 3.2mm |
| Ratings AC            | 0.5 A / 30 VAC    | Housing                         | screened                                       |
| Dielectric Strength   | 500VDC            | Style                           | straight                                       |
| Insulation Resistance | > 100 MΩ @ 500VDC | Lifetime                        | 5000 Insertions                                |




**Approvals and Compliances**

Detailed information on product approvals, code requirements, usage instructions and detailed test conditions can be looked up in [Details about Approvals](#)

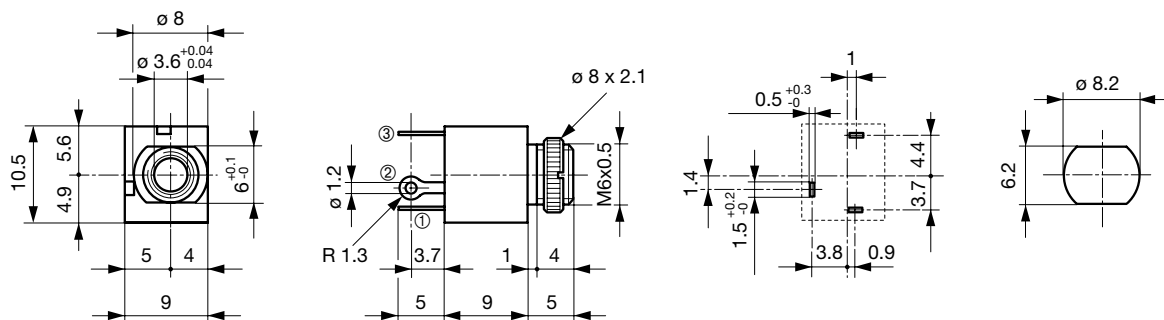
SCHURTER products are designed for use in industrial environments. They have approvals from independent testing bodies according to national and international standards. Products with specific characteristics and requirements such as required in the automotive sector according to IATF 16949, medical technology according to ISO 13485 or in the aerospace industry can be offered exclusively with customer-specific, individual agreements by SCHURTER.

**Compliances**

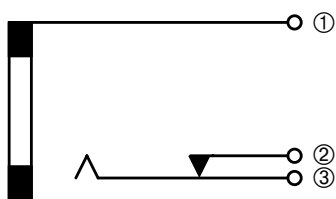
The product complies with following Guide Lines

| Identification  | Details    | Initiator   | Description   |
|---|------------|-------------|---|
|  | RoHS       | SCHURTER AG | Directive RoHS 2011/65/EU, Amendment (EU) 2015/863  |
|  | China RoHS | SCHURTER AG | The law SJ / T 11363-2006 (China RoHS) has been in force since 1 March 2007. It is similar to the EU directive RoHS.  |
|  | REACH      | SCHURTER AG | On 1 June 2007, Regulation (EC) No 1907/2006 on the Registration, Evaluation, Authorization and Restriction of Chemicals 1 (abbreviated as "REACH") entered into force. |

Dimensions [mm]



Diagrams



All Variants

| Product group      | Diameter [mm] | Number of Poles | Terminal        | Order Number |
|--------------------|---------------|-----------------|-----------------|--------------|
| Audio Plug/Sockets | 3.5           | 2-pole          | solder terminal | 4832.2211    |

Availability for all products can be searched real-time: <https://www.schurter.com/en/Stock-Check/Stock-Check-SCHURTER>

Packaging unit

100 Pcs

Mating Inlets/Plugs

Category / Description

[Audio Plug/Sockets Overview complete](#)



|  |           |
|--|-----------|
| , solder terminal, insulated, 2-pole, Audio Plug/Sockets, 3.5 mm | 4832.1211 |
| , solder terminal, insulated, 2-pole, Audio Plug/Sockets, 3.5 mm | 4832.1220 |