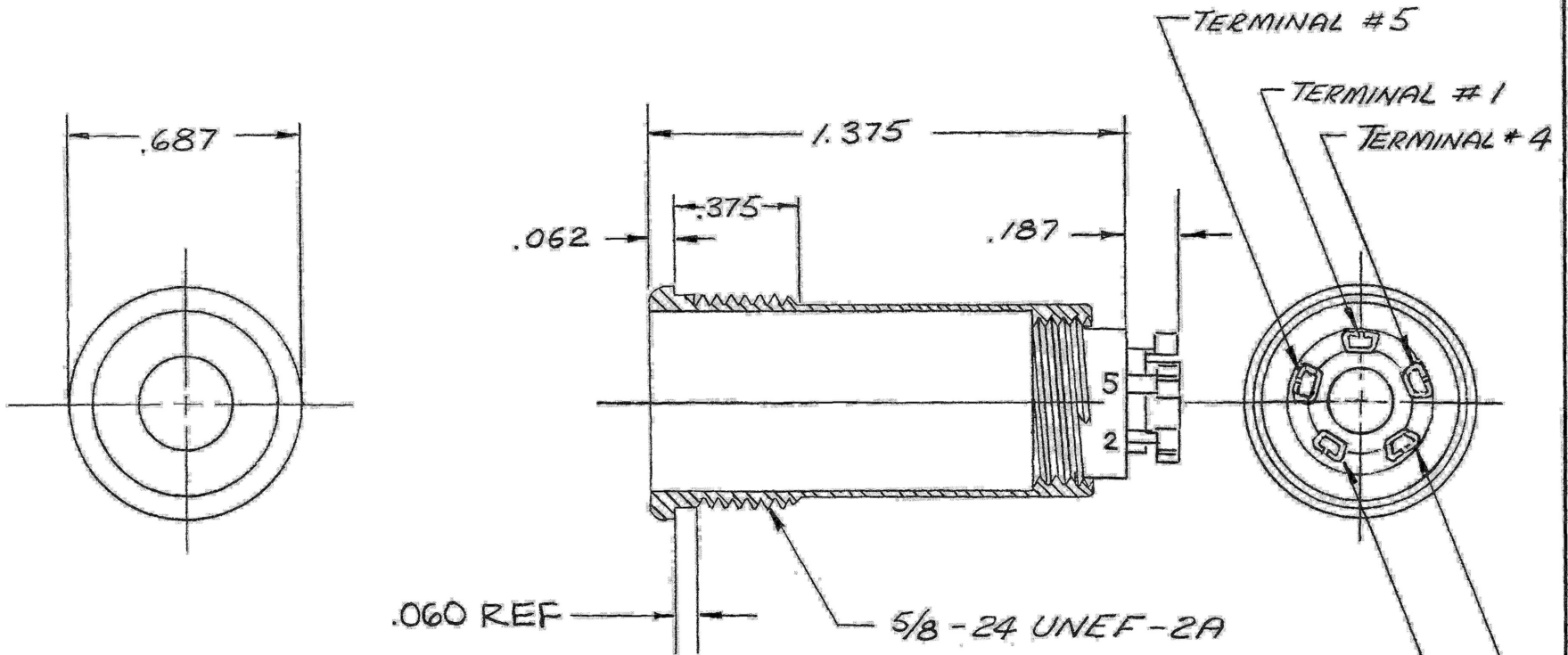


A TJT-105



NOTES:

1. THIS PART MATES WITH U-384/U TELEPHONE PLUG
2. THIS PART WITHOUT HARDWARE WEIGHS 12 GRAMS MAX
3. SHELL MATERIAL ALUMINUM TYPE 2011-T3, FINISH RED ANODIZED.

DWN. BY <i>RW7.</i>	DATE <i>4/14/76</i>	MATERIAL	
CHECKED BY		FINISH	
APPR. BY		WEIGHT	SCALE
UNLESS OTHERWISE SPECIFIED		TITLE	
DIMENSIONS ARE IN INCHES		<i>PHONE JACK ASS'Y</i> <i>FIVE CONDUCTOR</i>	
TOLERANCES ON			
FRACTIONS DECIMALS ANGLES		DO NOT SCALE DWG. SHEET OF	
$\pm .015$		<p style="text-align: center;">NEXUS STAMFORD, CONN.</p> <p>SIZE DWG. NO. A <i>TJT-105</i></p>	

B	1) NOTE WAS "FULL THREAD TO WITHIN .060"	<i>12/5/90</i>	
A	<i>REVISED</i>	<i>6/1/78</i>	<i>RW7</i>
LET.	REVISION	DATE	CHK.