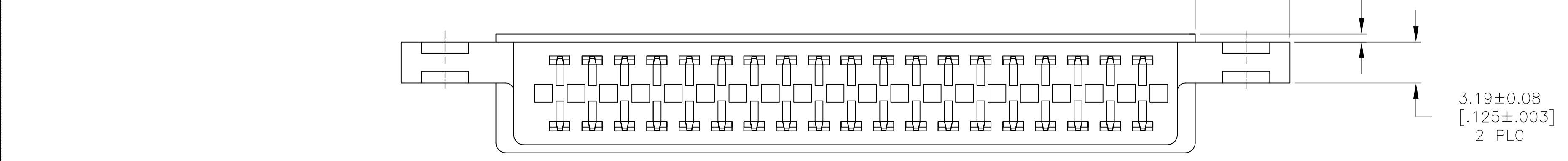
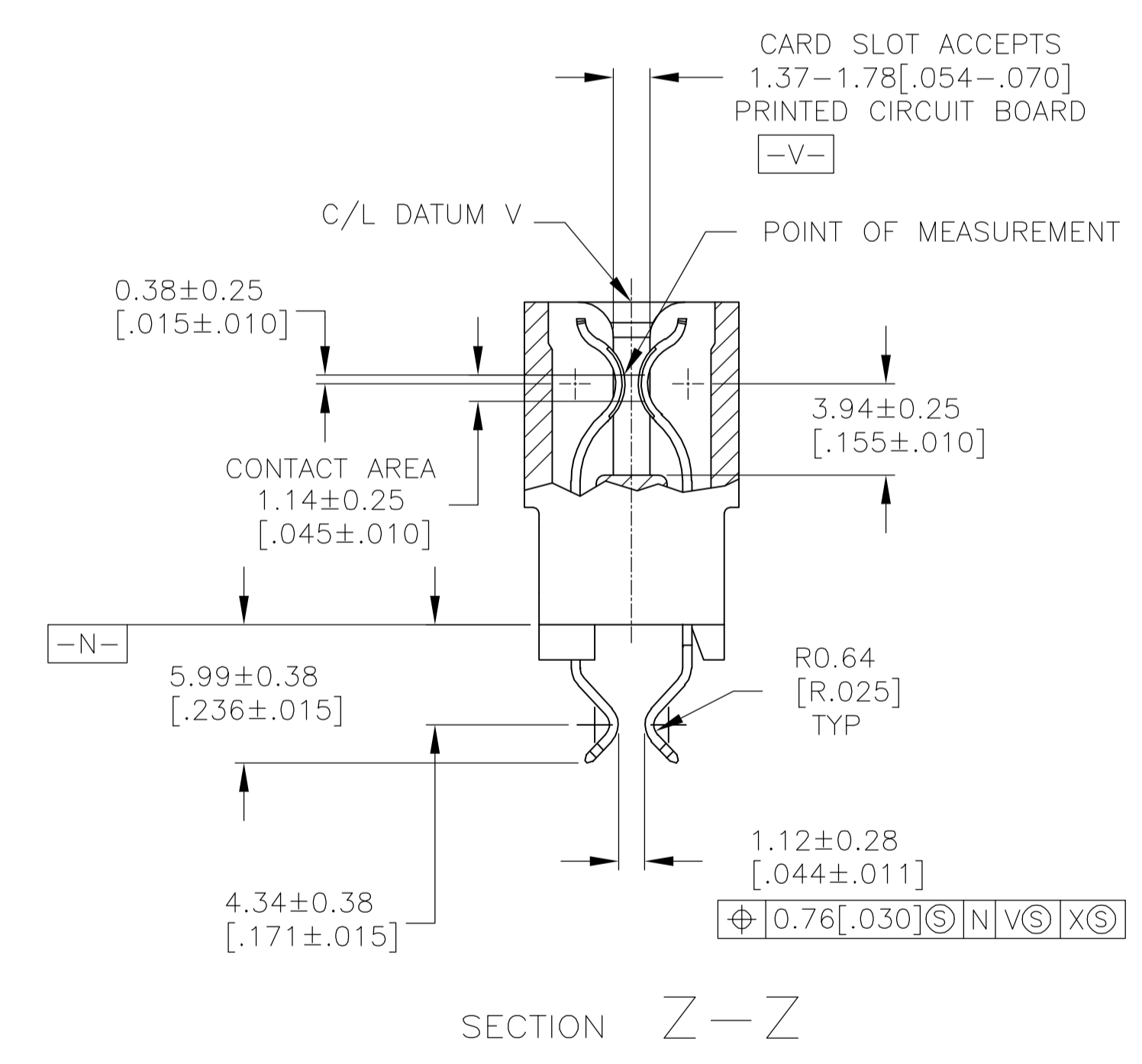
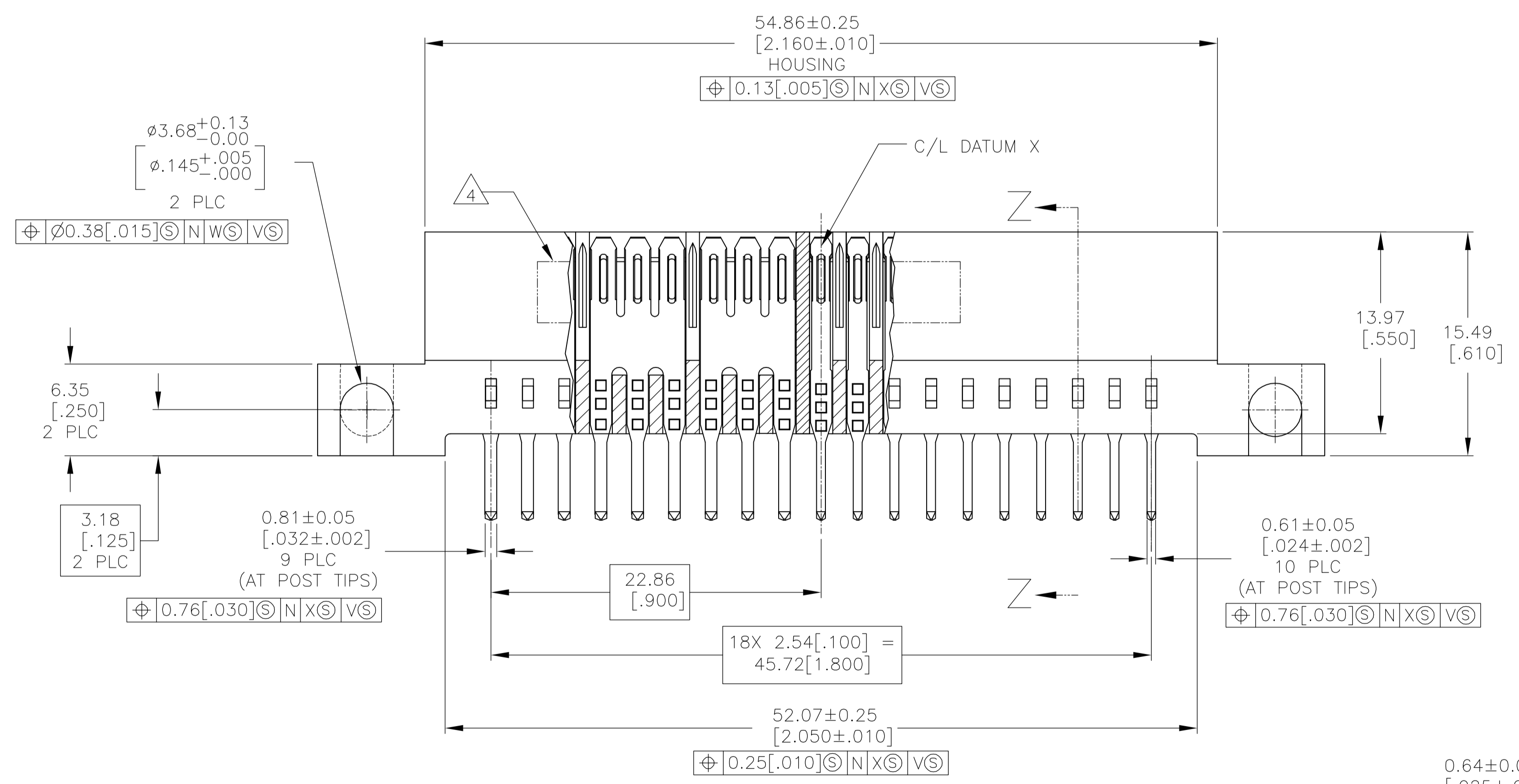


- HOUSING MATERIAL: GLASS FILLED POLYESTER, COLOR: BLACK
 - CONTACT BASE MATERIAL: HIGH CONDUCTIVITY COPPER ALLOY
 - CONTACT FINISH: NICKEL PLATE, .00127 [0.00050] MIN, ALL OVER
 MATTE TIN PLATE, .00254 [0.00100] MIN ON SOLDER POSTS,
 GOLD PLATE, .00076 [0.00030] MIN IN MATING INTERFACE
- △ AMP PART NUMBER AND DATE CODE MARKED IN APPROXIMATE AREA SHOWN
 △ NO BURRS AND/OR SHARP EDGES ARE PERMISSIBLE

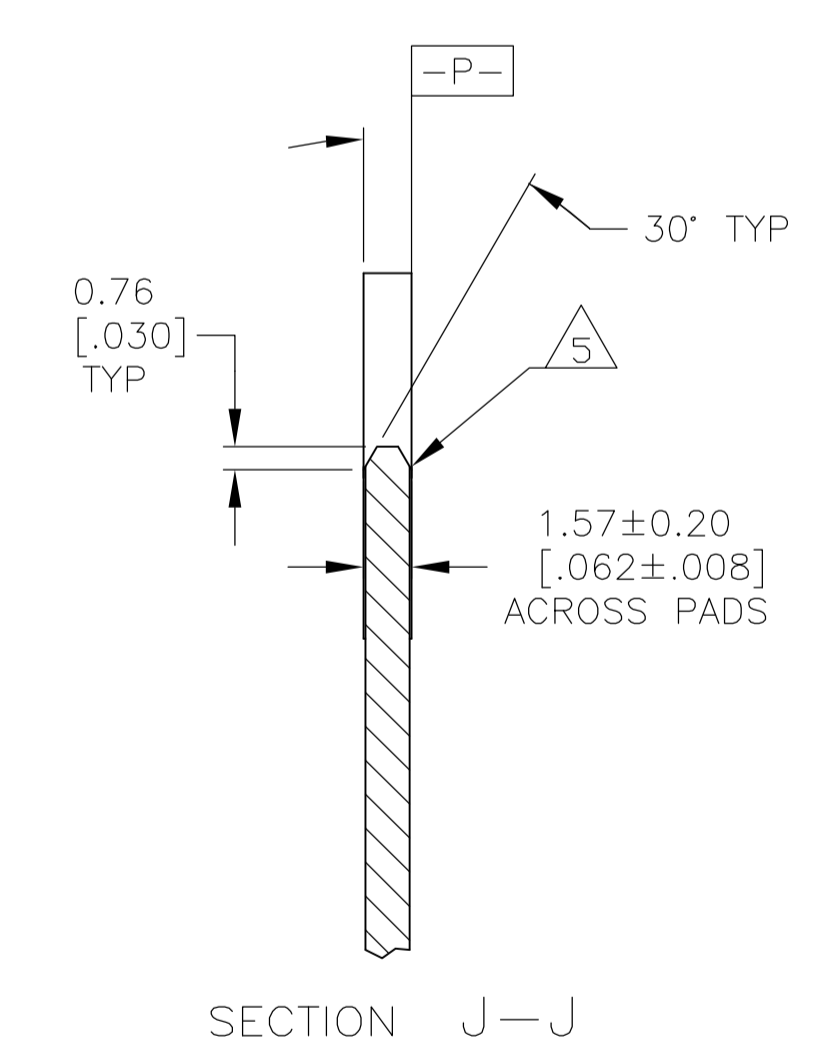
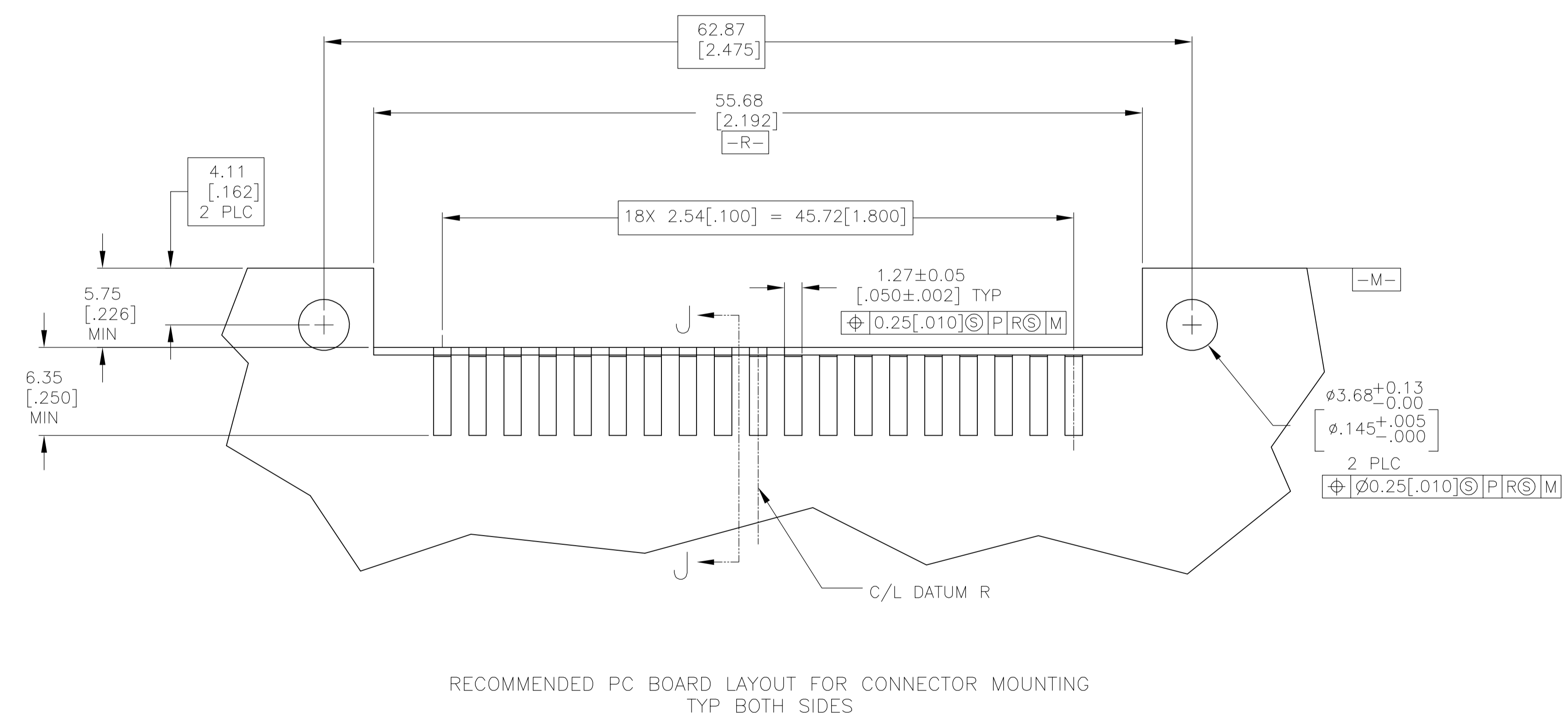
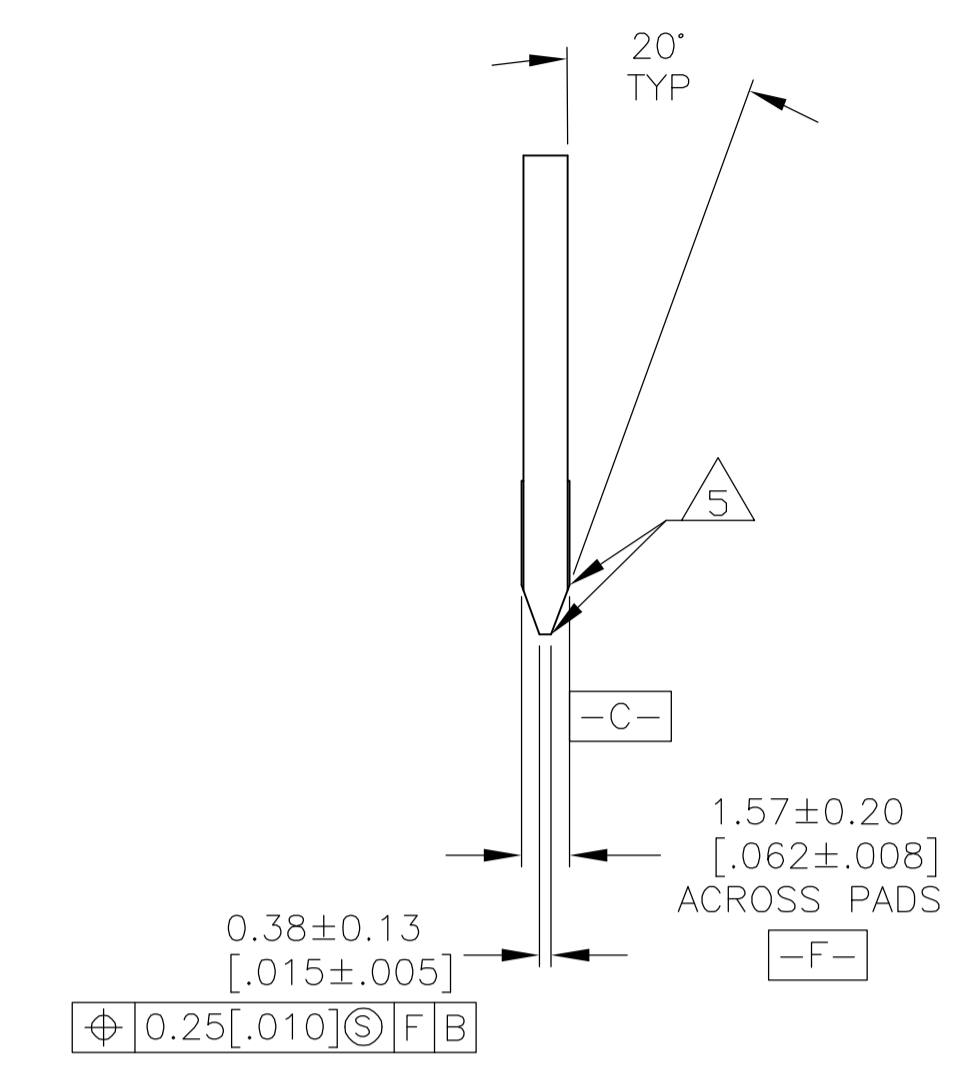
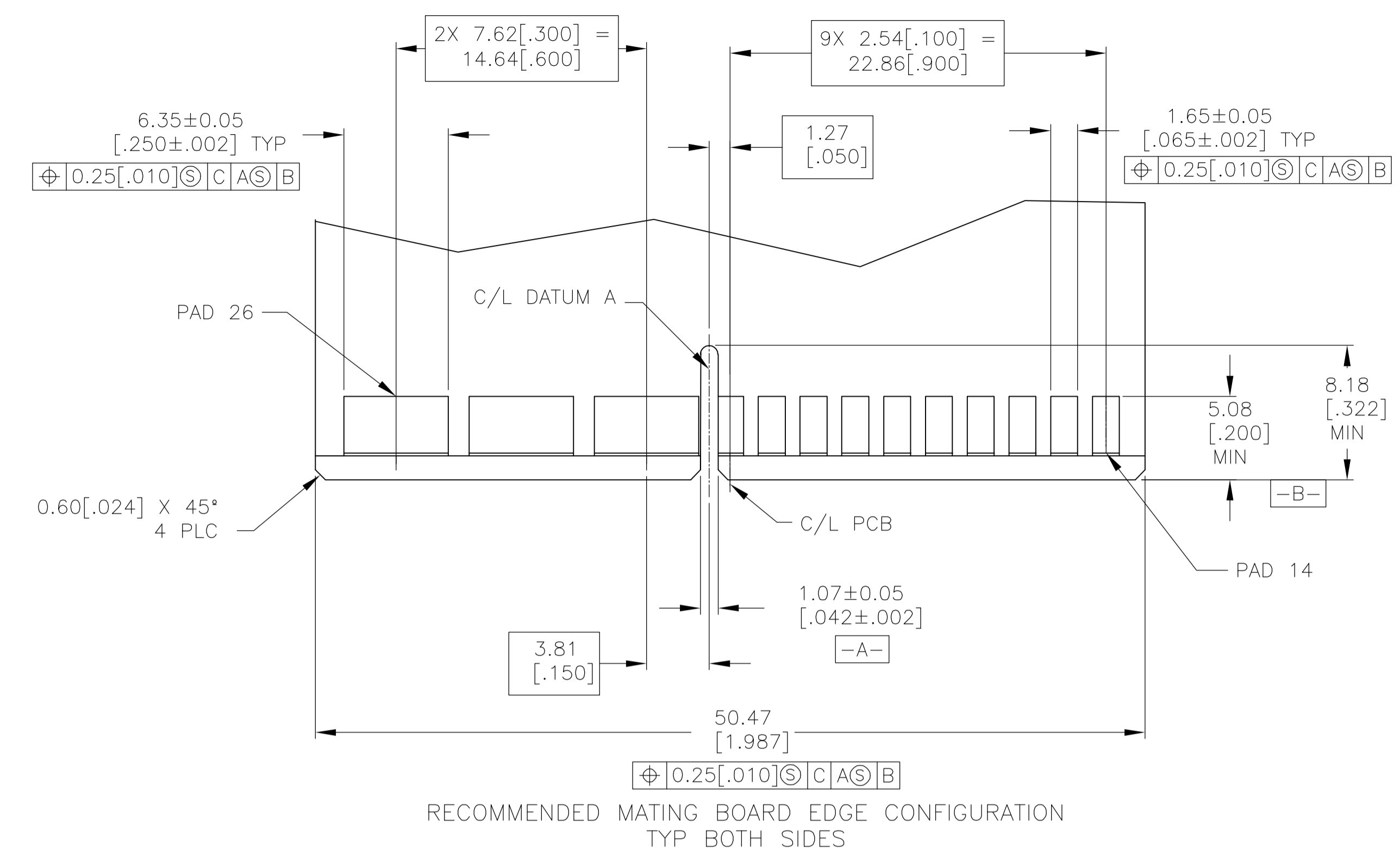


10	3	1761500-1
NO OF SINGLE POSITIONS	NO OF MULTIPLE POSITIONS	PART NUMBER

THIS DRAWING IS A CONTROLLED DOCUMENT.

DIMENSIONS:	TOLERANCES UNLESS OTHERWISE SPECIFIED:	DW	AL FRANTUM	08JUNE2005	Tyco Electronics Corporation Harrisburg, PA 17105-3608
MM (INCHES)	0 PLC ± - 1 PLC ± - 2 PLC ± ± 0.13[.005] 3 PLC ± ± - 4 PLC ± ± - ANGLES ± ± 1	CHK	AL FRANTUM	08JUNE2005	
MATERIAL SEE NOTE 1 & 2		FINISH	SEE NOTE 3	APVD	S. FLICKINGER
CUSTOMER DRAWING		SCALE	4:1	SHEET	1 OF 2

PRODUCT SPEC: 108-2202
 APPLICATION SPEC: 114-13018
 SIZE: A1
 WEIGHT: -
 DATE: 26JUNE2006
 NAME: S. FLICKINGER
 CONECTOR ASSEMBLY, SEC II POWER, DUAL POSITION, 2.54[.100] CENTERLINE, CARD EDGE
 RESTRICTED TO: -
 REV: B



THIS DRAWING IS A CONTROLLED DOCUMENT.		DIN AL FRANTUM 08JUNE2005		Tyco Electronics Corporation	
DIMENSIONS: MM (INCHES)		TOLERANCES UNLESS OTHERWISE SPECIFIED:		Tyco Electronics Corporation	
0 PLC ± -		1 PLC ± -		Harrisburg, PA 17105-3608	
1 PLC ± -		2 PLC ± ± 0.25[.010]		NAME: S. FLICKINGER	
2 PLC ± ± 0.25[.010]		3 PLC ± ± 0.25[.010]		PRODUCT SPEC: 108-2202	
3 PLC ± ± 0.25[.010]		4 PLC ± ± 0.25[.010]		APPLICATION SPEC: 114-13018	
4 PLC ± ± 0.25[.010]		ANGLES ± ± 1		SIZE: A1	
MATERIAL: SEE SHEET 1		FINISH: SEE SHEET 1		DRAWING NO: 00779	
		WEIGHT: -		SCALE: 4:1	
		CUSTOMER DRAWING		SHEET 2 OF 2	