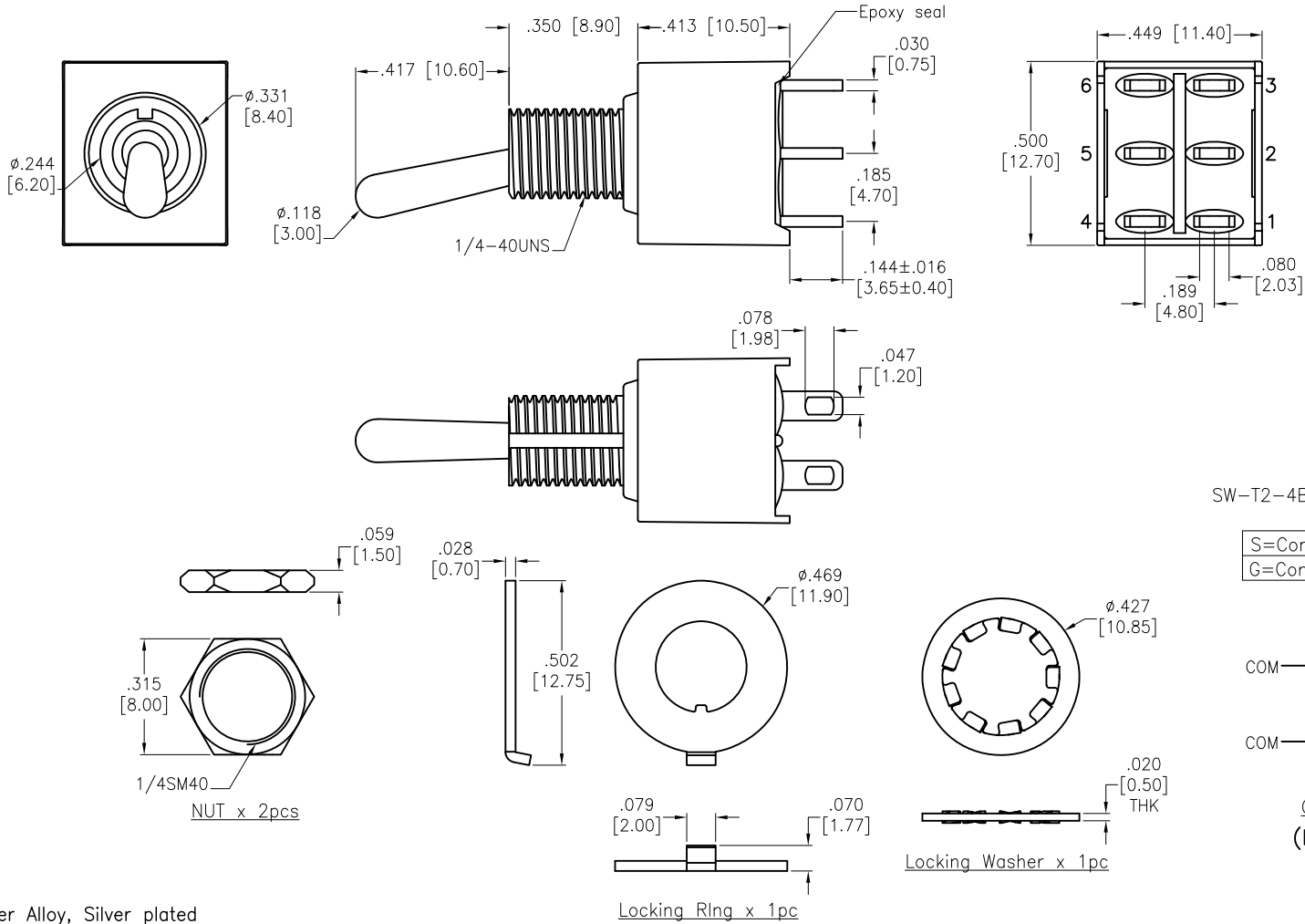


Rev	AWO #	Description	Date	Appr
-		RELEASED	9/27/21	

APPROVED: \_\_\_\_\_

DATE: \_\_\_\_\_ TITLE: \_\_\_\_\_



**SPECIFICATIONS:**

**Material:**

Movable contact: Copper Alloy, Silver plated  
 Terminals: Silver plated with outer layer in Gold plating  
 Electrical:  
 Rating: 5 Amps with resistive load @ 125VAC or 28VDC  
 2 Amps with resistive load @ 250VAC

Contact resistance: 10 mohms max initial  
 Insulation resistance: 1,000 Mohms min  
 Dielectric withstanding voltage: 1500V RMS @ sea level  
 Electrical life: 50,000 make and break cycles at full load  
 Temperature Rating:  
 Operating temperature:  $-30^{\circ}C$  to  $+85^{\circ}C$

**Environmental:**

IP Class: IP67  
 Lead free, RoHS compliant



UNLESS OTHERWISE SPECIFIED ALL DIMENSIONS ARE INCHES [MM]. TOLERANCES: EXCEPT AS NOTED

INCHES		HOLES	
.X	$\pm .10$	$\phi X$	$\pm .10$
.XX	$\pm .020$	$\phi XX$	$\pm .015$
.XXX	$\pm .015$	$\phi XXX$	$\pm .010$

DRAWN	JJ	9/27/21
CHECKED	RC	9/27/21
APPROVED		

THIS DRAWING CONTAINS INFORMATION THAT IS PROPRIETARY AND SHOULD NOT BE USED WITHOUT PRIOR WRITTEN PERMISSION FROM ADAM TECH

**ADAM TECH**

909 Rahway Avenue,  
 Union, NJ 07083  
 Phone: 908-687-5000  
 Fax: 908-687-5710

TITLE  
 MINIATURE TOGGLE SWITCH,  
 DPDT, ON-ON, SOLDER TYPE

SIZE X	PART NO. SW-T2-4B-A-T1-X-03	REV. -
REF: S00198T	SCALE: NTS	SHEET 1 OF 1