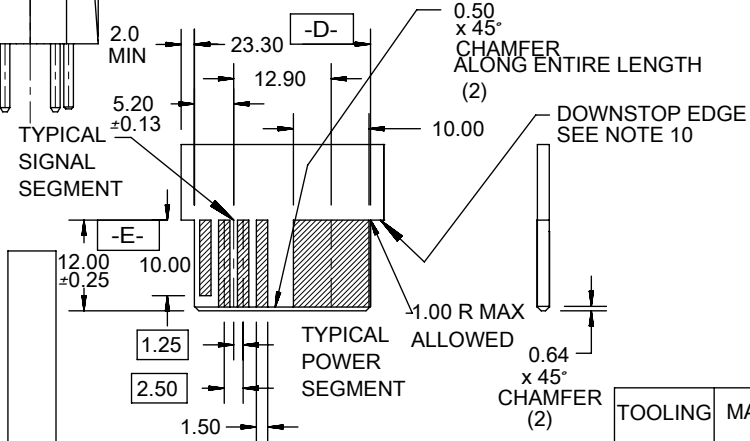
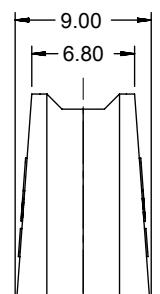


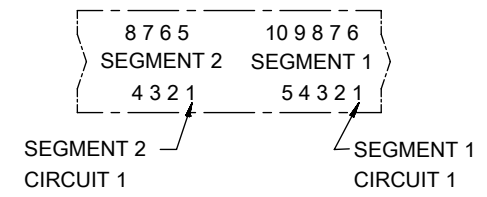
PCB LAYOUT: COMPONENT SIDE
 *** = TO BE DETERMINED BY CUSTOMER



RECOMMENDED EDGE CARD LAYOUT:
 EDGE CARD THICKNESS: 1.57/.062
 PLATING: GOLD 30 uINCHES MIN
 OVER 150 uINCHES NICKEL

MOLEX P/N 45911-0001 SHOWN

- NOTES:
- MATERIAL: HOUSING - LCP, UL94V-0, BLACK
 MATERIAL: TERMINALS - COPPER ALLOY
 - FINISH: SELECT GOLD: 30 MI MIN IN CONTACT AREA
 SELECT TIN: 150 MI MIN IN PC TAIL AREA
 BOTH OVER NICKEL: 50 MI MIN
 - PRODUCT SPECIFICATION: PS-45719-001.
 - PACKAGING SPECIFICATION: ES-45714-001.
 - PCB THICKNESS: SEE CHART
 - EDGE CARD THICKNESS: 1.57±0.08
 - DIMENSIONS GIVEN ACROSS CENTERLINES ARE SYMMETRICAL ABOUT THOSE CENTERLINES WITHIN HALF THE TOTAL TOLERANCE.
 - PCB HOLE SIZE SPECIFICATION: SEE PS-45719-001
 - POWER TERMINALS ARE LUBRICATED.
 - THIS EDGE WILL TOUCH HOUSING WHEN EDGE CARD IS FULLY SEATED



TOOLING STATUS	MATERIAL NUMBER	SEGMENT 2	SEGMENT 1	DIM P / DIM T	PCB THK
TOOLED	45911-0001	SIGNAL	POWER	4.50	3.18
TOOLED	45911-0002	POWER	SIGNAL	4.33	2.36
TOOLED	45911-0003	SIGNAL	POWER	3.19	1.57
TOOLED	45911-0004	POWER	SIGNAL	2.91	

THIS DRAWING CONTAINS INFORMATION THAT IS PROPRIETARY TO MOLEX ELECTRONIC TECHNOLOGIES, LLC AND SHOULD NOT BE USED WITHOUT WRITTEN PERMISSION

DIMENSION UNITS: MM	SCALE: 2:1	CURRENT REV DESC: TAIL LENGTH UPDATE	
GENERAL TOLERANCES (UNLESS SPECIFIED)		EC NO: 611748	
	MM INCH	DRWN: MBELLE	2019/06/21
4 PLACES	± ±	CHK'D: MBELLE	2019/07/16
3 PLACES	± ±	APPR: HTHYAGARAJ	2019/07/26
2 PLACES	± 0.25 ±	INITIAL REVISION:	
1 PLACE	± 0.25 ±	DRWN: SAMIEC	2005/04/14
0 PLACES	± ±	APPR: MARGULIS	2005/04/14
ANGULAR TOL	± 0.5 °	THIRD ANGLE PROJECTION	
DRAFT WHERE APPLICABLE MUST REMAIN WITHIN DIMENSIONS		DRAWING: A-SIZE	SERIES: 45911

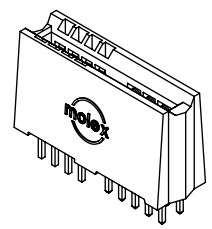
molex

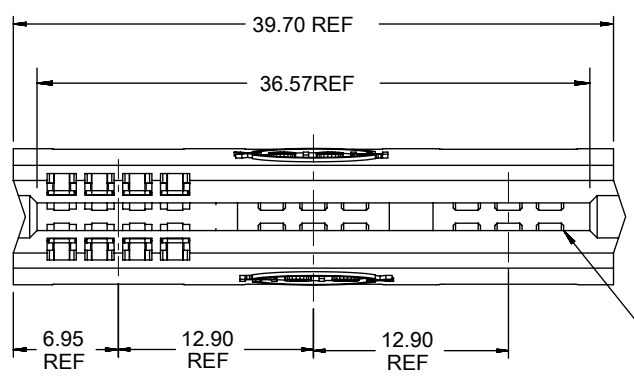
POWER EDGE ASSEMBLY
 POWER / SIGNAL MIXED VERTICAL SOLDER TAIL

PRODUCT CUSTOMER DRAWING

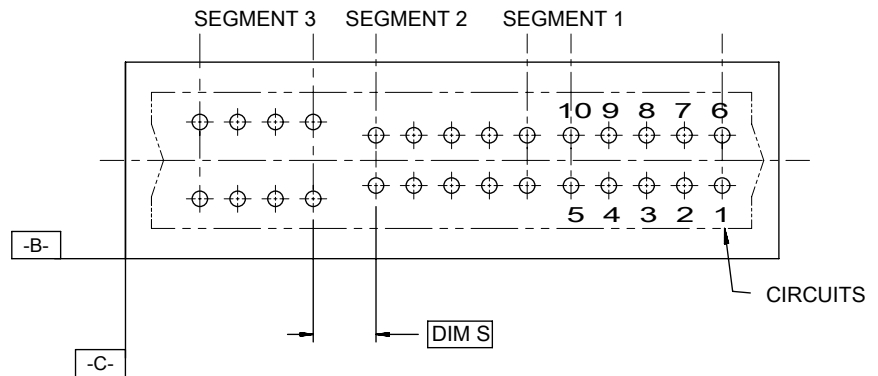
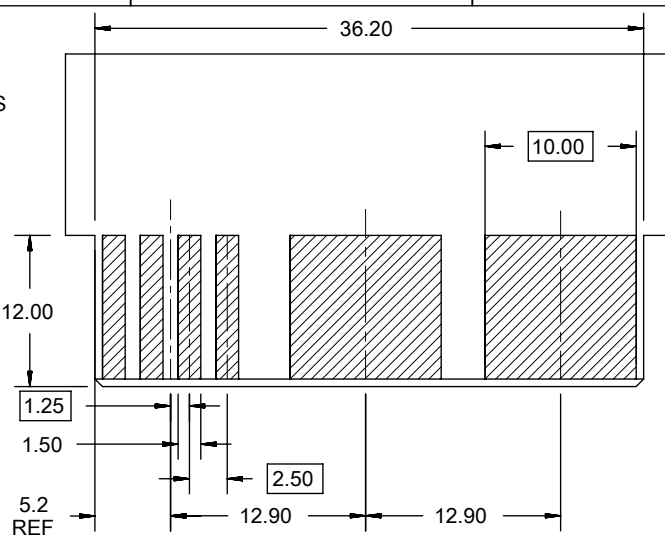
DOCUMENT NUMBER	DOC TYPE	DOC PART	REVISION
SD-45911-001	PSD	001	L1

MATERIAL NUMBER	CUSTOMER	SHEET NUMBER
SEE CHART	GENERAL MARKET	1 OF 4





RECOMMENDED
EDGE CARD
LAYOUT
SEE SHT 1 FOR ADDITIONAL DETAILS
TOLERANCE: ±0.05

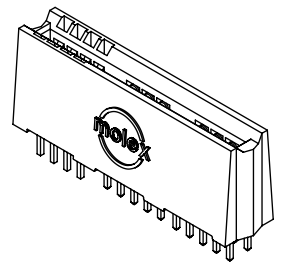


DIM S BETWEEN SIGNAL SEG AND SIGNAL SEG: 5.40
DIM S BETWEEN POWER SEG AND POWER SEG: 2.90
DIM S BETWEEN SIGNAL SEG AND POWER SEG: 4.15

PCB LAYOUT: COMPONENT SIDE

MATERIAL NUMBER: 45911-0007 SHOWN
SEE SHEET ONE FOR ALL OTHER NOTES AND DIMENSIONS

TOOLING STATUS	MATERIAL NUMBER	SEGMENT 3	SEGMENT 2	SEGMENT 1	DIM P DIM T	PCB THK
TOOLED	45911-0007	SIGNAL	POWER	POWER	4.50 4.33	3.18 2.36
TOOLED	45911-0008	POWER	SIGNAL	POWER		
TOOLED	45911-0009	SIGNAL	SIGNAL	POWER		
TOOLED	45911-0010	SIGNAL	POWER	SIGNAL	3.19 2.91	1.57
TOOLED	45911-0011	POWER	SIGNAL	SIGNAL		
TOOLED	45911-0012	POWER	POWER	SIGNAL		
TOOLED	45911-0013	SIGNAL	POWER	POWER		
TOOLED	45911-0014	POWER	SIGNAL	POWER		
TOOLED	45911-0015	SIGNAL	SIGNAL	POWER		
TOOLED	45911-0016	SIGNAL	POWER	SIGNAL		
TOOLED	45911-0017	POWER	SIGNAL	SIGNAL		
TOOLED	45911-0018	POWER	POWER	SIGNAL		



THIS DRAWING CONTAINS INFORMATION THAT IS PROPRIETARY TO MOLEX ELECTRONIC TECHNOLOGIES, LLC AND SHOULD NOT BE USED WITHOUT WRITTEN PERMISSION

DIMENSION UNITS MM	SCALE 1:1	CURRENT REV DESC: TAIL LENGTH UPDATE	
GENERAL TOLERANCES (UNLESS SPECIFIED)		EC NO: 611748	
	MM INCH	DRWN: MBELLE 2019/06/21	
4 PLACES ±	±	CHK'D: MBELLE 2019/07/16	
3 PLACES ±	±	APPR: HTHYAGARAJ 2019/07/26	
2 PLACES ±	0.25 ±	INITIAL REVISION:	
1 PLACE ±	0.25 ±	DRWN: SAMIEC 2005/04/14	
0 PLACES ±	±	APPR: MARGULIS 2005/04/14	
ANGULAR TOL	± 0.5 °		
DRAFT WHERE APPLICABLE MUST REMAIN WITHIN DIMENSIONS	THIRD ANGLE PROJECTION	DRAWING	SERIES

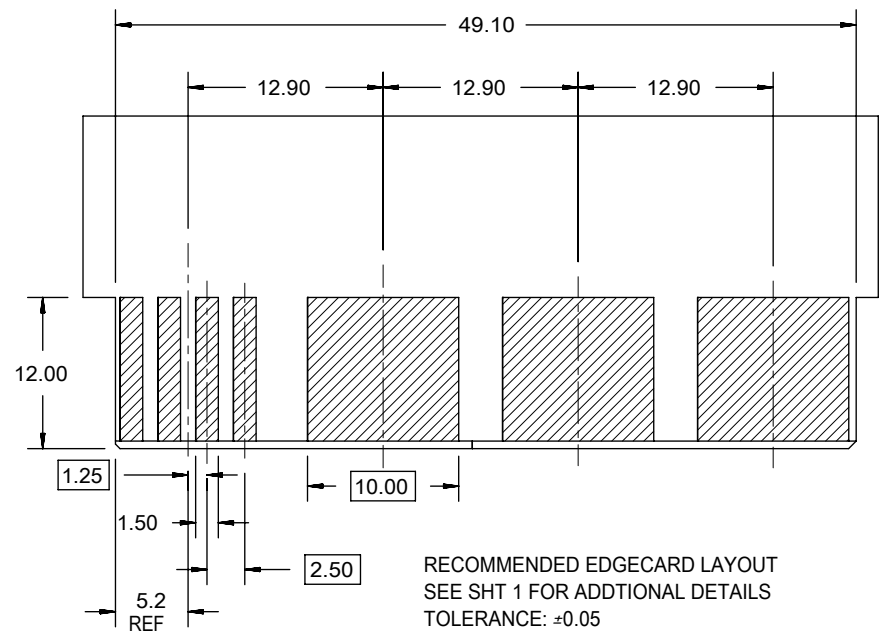
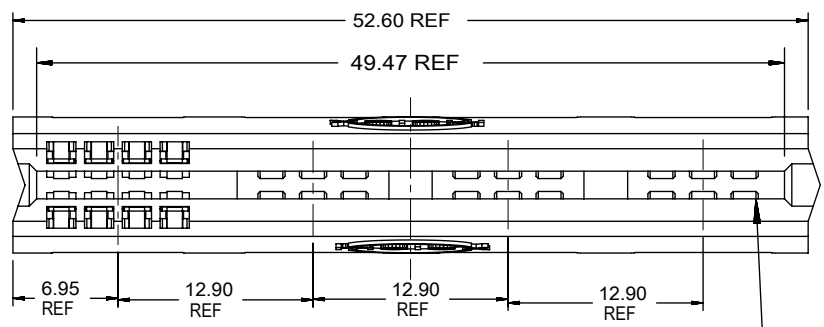
molex

POWER EDGE ASSEMBLY
POWER / SIGNAL MIXED VERTICAL SOLDER TAIL

PRODUCT CUSTOMER DRAWING

DOCUMENT NUMBER SD-45911-001	DOC TYPE PSD	DOC PART 001	REVISION L1
--	-----------------	-----------------	-----------------------

DOCUMENT STATUS	P1	RELEASE DATE	2019/07/26	00:10:35
-----------------	----	--------------	------------	----------

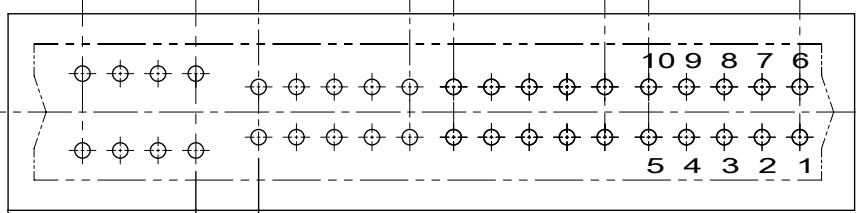


SEGMENT 1
CIRCUIT 1

RECOMMENDED EDGE CARD LAYOUT
SEE SHT 1 FOR ADDITIONAL DETAILS
TOLERANCE: ±0.05

SEE CHART ON SHEET 4
FOR MATERIAL NUMBERS

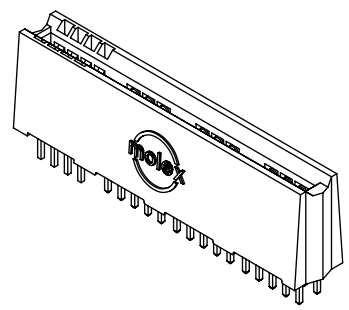
SEGMENT 4 SEGMENT 3 SEGMENT 2 SEGMENT 1



DIM S
DIM S BETWEEN SIGNAL SEG AND SIGNAL SEG: 5.40
DIM S BETWEEN POWER SEG AND POWER SEG: 2.90
DIM S BETWEEN SIGNAL SEG AND POWER SEG: 4.15

PCB LAYOUT: COMPONENT SIDE

PART NUMBER 45911-0025
SHOWN FOR REFERENCE



THIS DRAWING CONTAINS INFORMATION THAT IS PROPRIETARY TO MOLEX ELECTRONIC TECHNOLOGIES, LLC AND SHOULD NOT BE USED WITHOUT WRITTEN PERMISSION

DIMENSION UNITS	SCALE	
MM	2:1	
GENERAL TOLERANCES (UNLESS SPECIFIED)		
	MM	INCH
4 PLACES	±	±
3 PLACES	±	±
2 PLACES	± 0.25	±
1 PLACE	± 0.25	±
0 PLACES	±	±
ANGULAR TOL ± 0.5°		

CURRENT REV DESC: TAIL LENGTH UPDATE

EC NO: 611748
DRWN: MBELLE 2019/06/21
CHK'D: MBELLE 2019/07/16
APPR: HTHYAGARAJ 2019/07/26

INITIAL REVISION:
DRWN: SAMIEC 2005/04/14
APPR: MARGULIS 2005/04/14

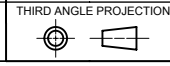
molex

POWER EDGE ASSEMBLY
POWER / SIGNAL MIXED VERTICAL SOLDER TAIL

PRODUCT CUSTOMER DRAWING

DOCUMENT NUMBER	DOC TYPE	DOC PART	REVISION
SD-45911-001	PSD	001	L1

DRAFT WHERE APPLICABLE
MUST REMAIN WITHIN DIMENSIONS



DRAWING A-SIZE

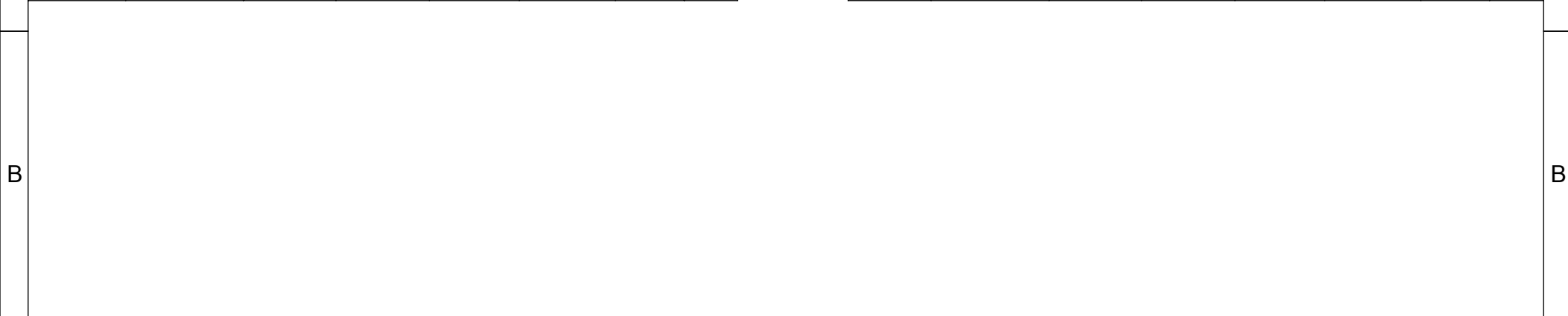
SERIES 45911


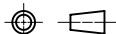
MATERIAL NUMBER SEE CHART

CUSTOMER GENERAL MARKET

SHEET NUMBER 3 OF 4

6		5				4		3				2		1	
TOOLING STATUS	MATERIAL NUMBER	SEGMENT 4	SEGMENT 3	SEGMENT 2	SEGMENT 1	DIM P DIM T	PCB THK	TOOLING STATUS	MATERIAL NUMBER	SEGMENT 4	SEGMENT 3	SEGMENT 2	SEGMENT 1	DIM P DIM T	PCB THK
TOOLED	45911-0025	SIGNAL	POWER	POWER	POWER	4.50 4.33	3.18 2.36	TOOLED	45911-0039	SIGNAL	POWER	POWER	POWER	3.19 2.91	1.57
TOOLED	45911-0026	POWER	SIGNAL	POWER	POWER			TOOLED	45911-0040	POWER	SIGNAL	POWER	POWER		
TOOLED	45911-0027	SIGNAL	SIGNAL	POWER	POWER			TOOLED	45911-0041	SIGNAL	SIGNAL	POWER	POWER		
TOOLED	45911-0028	SIGNAL	POWER	SIGNAL	POWER			TOOLED	45911-0042	SIGNAL	POWER	SIGNAL	POWER		
TOOLED	45911-0029	POWER	SIGNAL	SIGNAL	POWER			TOOLED	45911-0043	POWER	SIGNAL	SIGNAL	POWER		
TOOLED	45911-0030	POWER	POWER	SIGNAL	POWER			TOOLED	45911-0044	POWER	POWER	SIGNAL	POWER		
TOOLED	45911-0031	SIGNAL	SIGNAL	SIGNAL	POWER			TOOLED	45911-0045	SIGNAL	SIGNAL	SIGNAL	POWER		
TOOLED	45911-0032	SIGNAL	POWER	POWER	SIGNAL			TOOLED	45911-0046	SIGNAL	POWER	POWER	SIGNAL		
TOOLED	45911-0033	POWER	SIGNAL	POWER	SIGNAL			TOOLED	45911-0047	POWER	SIGNAL	POWER	SIGNAL		
TOOLED	45911-0034	SIGNAL	SIGNAL	POWER	SIGNAL			TOOLED	45911-0048	SIGNAL	SIGNAL	POWER	SIGNAL		
TOOLED	45911-0035	SIGNAL	POWER	SIGNAL	SIGNAL			TOOLED	45911-0049	SIGNAL	POWER	SIGNAL	SIGNAL		
TOOLED	45911-0036	POWER	SIGNAL	SIGNAL	SIGNAL			TOOLED	45911-0050	POWER	SIGNAL	SIGNAL	SIGNAL		
TOOLED	45911-0037	POWER	POWER	SIGNAL	SIGNAL			TOOLED	45911-0051	POWER	POWER	SIGNAL	SIGNAL		
TOOLED	45911-0038	POWER	POWER	POWER	SIGNAL			TOOLED	45911-0052	POWER	POWER	POWER	SIGNAL		



THIS DRAWING CONTAINS INFORMATION THAT IS PROPRIETARY TO MOLEX ELECTRONIC TECHNOLOGIES, LLC AND SHOULD NOT BE USED WITHOUT WRITTEN PERMISSION												
DIMENSION UNITS MM		SCALE 1:1		CURRENT REV DESC: TAIL LENGTH UPDATE								
GENERAL TOLERANCES (UNLESS SPECIFIED)				EC NO: 611748								
		MM	INCH	DRWN: MBELLE 2019/06/21				POWER EDGE ASSEMBLY POWER / SIGNAL MIXED VERTICAL SOLDER TAIL				
4 PLACES		±	±	CHK'D: MBELLE 2019/07/16				PRODUCT CUSTOMER DRAWING				
3 PLACES		±	±	APPR: HTHYAGARAJ 2019/07/26				DOCUMENT NUMBER				
2 PLACES		±	±	INITIAL REVISION:				SD-45911-001		DOC TYPE	DOC PART	REVISION
1 PLACE		±	±	DRWN: SAMIEC 2005/04/14				PSD		001	L1	
0 PLACES		±	±	APPR: MARGULIS 2005/04/14				MATERIAL NUMBER		CUSTOMER		SHEET NUMBER
ANGULAR TOL		± 0.5 °		DRAFT WHERE APPLICABLE MUST REMAIN WITHIN DIMENSIONS		THIRD ANGLE PROJECTION		DRAWING	SERIES	MATERIAL NUMBER	CUSTOMER	SHEET NUMBER
								A-SIZE	45911	SEE CHART	GENERAL MARKET	4 OF 4

6

5

4

3

2

1

D

D

C

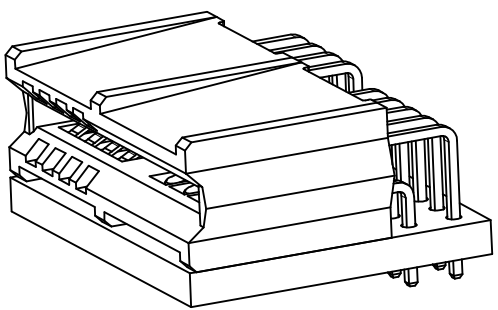
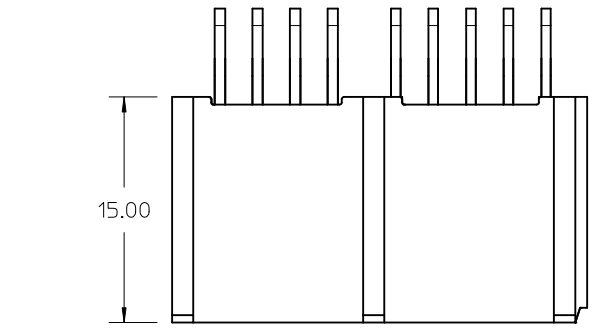
C

B

B

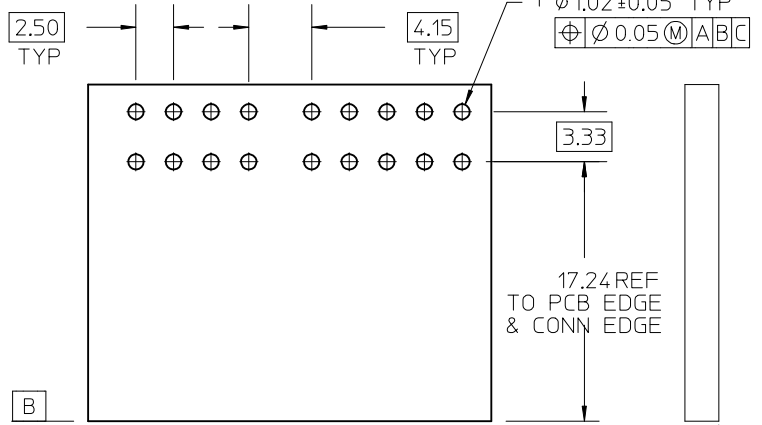
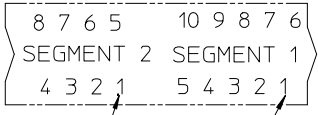
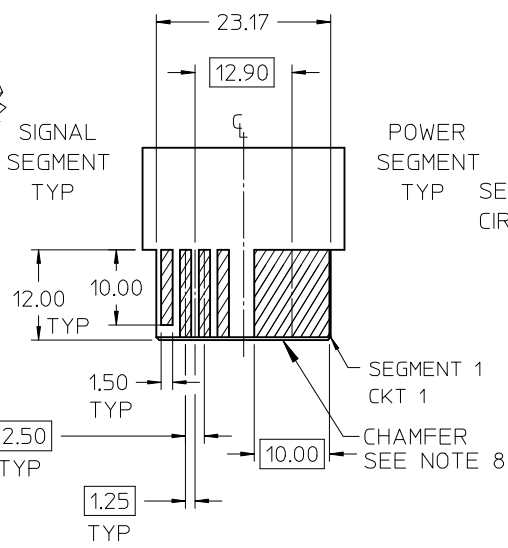
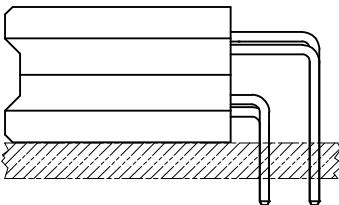
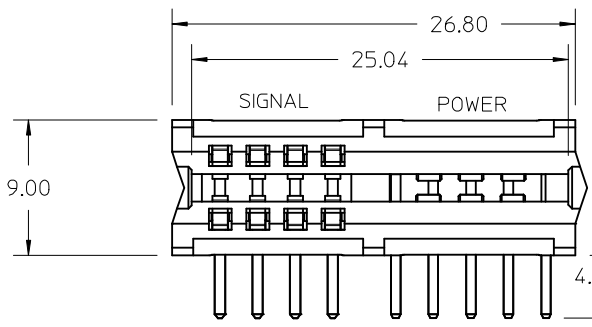
A

A



NOTES:

- MATERIAL: HOUSING - LCP, UL94V-0, BLACK
MATERIAL: TERMINALS - COPPER ALLOY
- FINISH: SELECT GOLD: 30 MI MIN IN CONTACT AREA
SELECT TIN: 150 MI MIN IN PC TAIL AREA
BOTH OVER NICKEL: 50 MI MIN
- PRODUCT SPECIFICATION: PS-45719-001.
- PACKAGING SPECIFICATION: PK-45714-001.
- PCB THICKNESS: SEE CHART
- EDGE CARD THICKNESS: 1.57±0.15
- DIMENSIONS GIVEN ACROSS CENTERLINES ARE SYMMETRICAL ABOUT THOSE CENTERLINES WITHIN HALF THE TOTAL TOLERANCE.
- 0.50 X 45°CHAMFER ON LEADING EDGE, TYP 4 SIDES.



MATERIAL NUMBER	SEGMENT 2	SEGMENT 1
45911-0901	SIGNAL	POWER
45911-0902	POWER	SIGNAL
45911-0903	SIGNAL	POWER
45911-0904	POWER	SIGNAL
SEE 45844	SIGNAL	SIGNAL
SEE 45719	POWER	POWER

EDGE CARD LAYOUT:
TOLERANCE: ±0.05

INITIAL RELEASE	2014/08/25
EC NO: UCP2015-0425	2011/11/07
DRWN: JSCHAFAER	2011/11/07
CHKD: APATEL	2014/08/25
APPR: APATEL	2014/08/25
REV 1	

QUALITY SYMBOLS	DESCRIPTION

GENERAL TOLERANCES (UNLESS SPECIFIED)	
	mm INCH
4 PLACES	± --- ± ---
3 PLACES	± --- ± ---
2 PLACES	± 0.25 ± ---
1 PLACE	± 0.25 ± ---
ANGULAR ±1/2°	
DRAFT WHERE APPLICABLE MUST REMAIN WITHIN DIMENSIONS	

DIMENSION STYLE		SCALE	DESIGN UNITS	THIRD ANGLE PROJECTION
MM ONLY		2:1	METRIC	
DRAWN BY	DATE	TITLE		
JSCHAFAER	2011/11/07	POWER EDGE ASSEMBLY POWER / SIGNAL MIXED RT ANGLE SOLDER TAIL		
CHECKED BY	DATE	MOLEX INCORPORATED		
APPROVED BY	DATE	DOCUMENT NO.		
APATEL	2014/08/25	SD-45911-002		
MATERIAL NUMBER	SEE CHART	SHEET NO.		
		1 OF 5		
SIZE	THIS DRAWING CONTAINS INFORMATION THAT IS PROPRIETARY TO MOLEX INCORPORATED AND SHOULD NOT BE USED WITHOUT WRITTEN PERMISSION			
A				

5

4

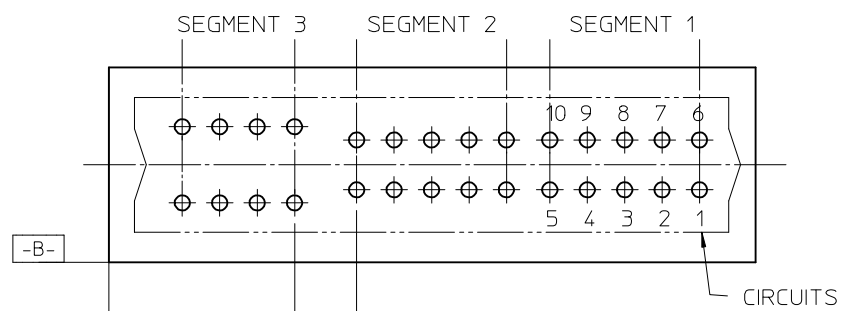
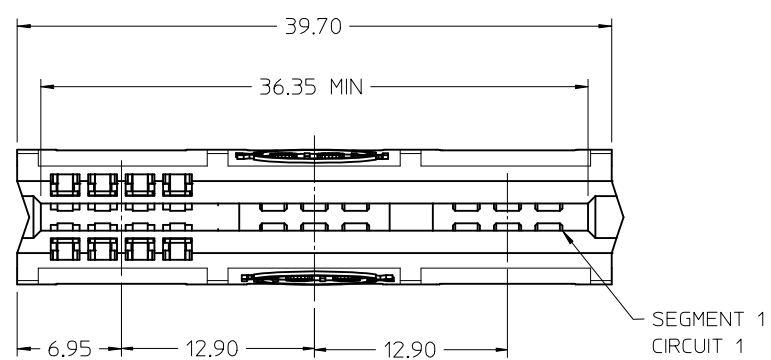
3

2

1

6 5 4 3 2 1

MATERIAL NUMBER: 45911-0907 SHOWN
SEE SHEET ONE FOR ALL OTHER NOTES AND DIMENSIONS



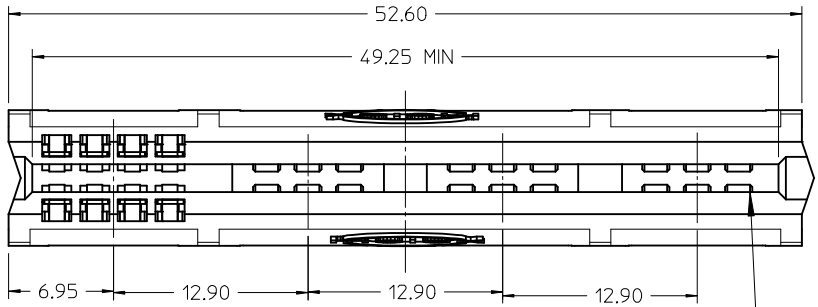
DIM S BETWEEN SIGNAL SEG AND SIGNAL SEG: 5.40
DIM S BETWEEN POWER SEG AND POWER SEG: 2.90
DIM S BETWEEN SIGNAL SEG AND POWER SEG: 4.15

PCB LAYOUT: COMPONENT SIDE

MATERIAL NUMBER	SEGMENT 3	SEGMENT 2	SEGMENT 1	DIM P DIM T	PCB THK
45911-0907	SIGNAL	POWER	POWER	4.50 4.33	3.18 2.36
45911-0908	POWER	SIGNAL	POWER		
45911-0909	SIGNAL	SIGNAL	POWER		
45911-0910	SIGNAL	POWER	SIGNAL		
45911-0911	POWER	SIGNAL	SIGNAL	3.19 3.19	1.57
45911-0912	POWER	POWER	SIGNAL		
45911-0913	SIGNAL	POWER	POWER		
45911-0914	POWER	SIGNAL	POWER		
45911-0915	SIGNAL	SIGNAL	POWER		
45911-0916	SIGNAL	POWER	SIGNAL		
45911-0917	POWER	SIGNAL	SIGNAL	3.19 3.19	1.57
45911-0918	POWER	POWER	SIGNAL		

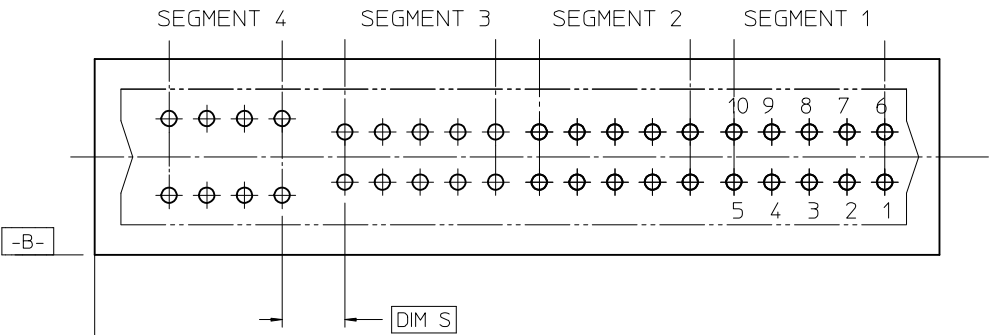
EC NO: UCP2015-0425 DRWN: JSCHAFFER 2011/11/07 CHKD: APPR: APATEL 2014/08/25 DESCRIPTION REV 1	QUALITY SYMBOLS	GENERAL TOLERANCES (UNLESS SPECIFIED)		DIMENSION STYLE MM ONLY		SCALE 1:1	DESIGN UNITS METRIC	THIRD ANGLE PROJECTION	
		mm	INCH	DRAWN BY JSCHAFFER	DATE 2011/11/07	TITLE POWER EDGE ASSEMBLY POWER / SIGNAL MIXED RT ANGLE SOLDER TAIL			
	4 PLACES	± ---	± ---	CHECKED BY	DATE				
	3 PLACES	± ---	± ---	APPROVED BY APATEL		DATE 2014/08/25	MOLEX INCORPORATED		
	2 PLACES	± 0.25	± ---	MATERIAL NUMBER SEE CHART		DOCUMENT NO. SD-45911-002			
1 PLACE	± 0.25	± ---	DRAFT WHERE APPLICABLE MUST REMAIN WITHIN DIMENSIONS		SIZE A	THIS DRAWING CONTAINS INFORMATION THAT IS PROPRIETARY TO MOLEX INCORPORATED AND SHOULD NOT BE USED WITHOUT WRITTEN PERMISSION			

5 4 3 2 1



SEGMENT 1
CIRCUIT 1

SEE CHART ON SHEET 4
FOR MATERIAL NUMBERS



DIM S BETWEEN SIGNAL SEG AND SIGNAL SEG: 5.40
 DIM S BETWEEN POWER SEG AND POWER SEG: 2.90
 DIM S BETWEEN SIGNAL SEG AND POWER SEG: 4.15

PCB LAYOUT: COMPONENT SIDE

EC NO: UCP2015-0425 DRWN: JSCHAFAER 2011/11/07 CHKD: APATEL APPR: APATEL 2014/08/25 1	QUALITY SYMBOLS DESCRIPTION	GENERAL TOLERANCES (UNLESS SPECIFIED)		DIMENSION STYLE MM ONLY		SCALE 2:1	DESIGN UNITS METRIC	THIRD ANGLE PROJECTION			
			mm	INCH	DRAWN BY JSCHAFAER	DATE 2011/11/07	TITLE POWER EDGE ASSEMBLY POWER / SIGNAL MIXED RT ANGLE SOLDER TAIL				
		4 PLACES	± ---	± ---	CHECKED BY	DATE					
		3 PLACES	± ---	± ---	APPROVED BY APATEL		DATE 2014/08/25	MOLEX INCORPORATED			
		2 PLACES	± 0.25	± ---	MATERIAL NUMBER SEE CHART ON SHEET 4		DOCUMENT NO. SD-45911-002				
1 PLACE	± 0.25	± ---	DRAFT WHERE APPLICABLE MUST REMAIN WITHIN DIMENSIONS		SIZE A	THIS DRAWING CONTAINS INFORMATION THAT IS PROPRIETARY TO MOLEX INCORPORATED AND SHOULD NOT BE USED WITHOUT WRITTEN PERMISSION					

6		5			4		3		2			1	
MATERIAL NUMBER	SEGMENT 4	SEGMENT 3	SEGMENT 2	SEGMENT 1	$\frac{DIM P}{DIM T}$	PCB THK	MATERIAL NUMBER	SEGMENT 4	SEGMENT 3	SEGMENT 2	SEGMENT 1	$\frac{DIM P}{DIM T}$	PCB THK
45911-0925	SIGNAL	POWER	POWER	POWER	$\frac{4.50}{4.33}$	3.18 2.36	45911-0939	SIGNAL	POWER	POWER	POWER	$\frac{3.19}{3.19}$	1.57
45911-0926	POWER	SIGNAL	POWER	POWER			45911-0940	POWER	SIGNAL	POWER	POWER		
45911-0927	SIGNAL	SIGNAL	POWER	POWER			45911-0941	SIGNAL	SIGNAL	POWER	POWER		
45911-0928	SIGNAL	POWER	SIGNAL	POWER			45911-0942	SIGNAL	POWER	SIGNAL	POWER		
45911-0929	POWER	SIGNAL	SIGNAL	POWER			45911-0943	POWER	SIGNAL	SIGNAL	POWER		
45911-0930	POWER	POWER	SIGNAL	POWER			45911-0944	POWER	POWER	SIGNAL	POWER		
45911-0931	SIGNAL	SIGNAL	SIGNAL	POWER			45911-0945	SIGNAL	SIGNAL	SIGNAL	POWER		
45911-0932	SIGNAL	POWER	POWER	SIGNAL			45911-0946	SIGNAL	POWER	POWER	SIGNAL		
45911-0933	POWER	SIGNAL	POWER	SIGNAL			45911-0947	POWER	SIGNAL	POWER	SIGNAL		
45911-0934	SIGNAL	SIGNAL	POWER	SIGNAL			45911-0948	SIGNAL	SIGNAL	POWER	SIGNAL		
45911-0935	SIGNAL	POWER	SIGNAL	SIGNAL			45911-0949	SIGNAL	POWER	SIGNAL	SIGNAL		
45911-0936	POWER	SIGNAL	SIGNAL	SIGNAL			45911-0950	POWER	SIGNAL	SIGNAL	SIGNAL		
45911-0937	POWER	POWER	SIGNAL	SIGNAL			45911-0951	POWER	POWER	SIGNAL	SIGNAL		
45911-0938	POWER	POWER	POWER	SIGNAL			45911-0952	POWER	POWER	POWER	SIGNAL		



EC NO: UCP2015-0425 DRWN: JSCHAFFER CHKD: APPR: APATEL 2014/08/25 DESCRIPTION REV	GENERAL TOLERANCES (UNLESS SPECIFIED)	DIMENSION STYLE MM ONLY	SCALE 1:1	DESIGN UNITS METRIC	THIRD ANGLE PROJECTION
		mm	INCH	DRAWN BY DATE JSCHAFFER 2011/11/07	
	4 PLACES	± ---	± ---	CHECKED BY DATE	
	3 PLACES	± ---	± ---	TITLE POWER EDGE ASSEMBLY POWER / SIGNAL MIXED RT ANGLE SOLDER TAIL	
	2 PLACES	± 0.25	± ---		
1 PLACE	± 0.25	± ---	APATEL 2014/08/25		
	ANGULAR ±1/2°	MATERIAL NO. SEE CHART		DOCUMENT NO. SD-45911-002	
	DRAFT WHERE APPLICABLE MUST REMAIN WITHIN DIMENSIONS	SIZE A	THIS DRAWING CONTAINS INFORMATION THAT IS PROPRIETARY TO MOLEX INCORPORATED AND SHOULD NOT BE USED WITHOUT WRITTEN PERMISSION		
			SHEET NO. 4 OF 5		

MATERIAL NUMBER	SEG 5	SEG 4	SEG 3	SEG 2	SEG 1
45911-0954	POWER	SIGNAL	SIGNAL	SIGNAL	SIGNAL
45911-0955	SIGNAL	SIGNAL	POWER	POWER	POWER
45911-0956	POWER	POWER	SIGNAL	POWER	POWER
45911-0957	SIGNAL	SIGNAL	SIGNAL	POWER	POWER
45911-0957	SIGNAL	SIGNAL	POWER	SIGNAL	POWER
45911-0958	POWER	POWER	SIGNAL	SIGNAL	POWER
45911-0959	POWER	POWER	POWER	SIGNAL	POWER
45911-0960	SIGNAL	SIGNAL	SIGNAL	SIGNAL	POWER
45911-0961	SIGNAL	SIGNAL	POWER	POWER	SIGNAL
45911-0962	POWER	POWER	SIGNAL	POWER	SIGNAL
45911-0963	SIGNAL	SIGNAL	SIGNAL	POWER	SIGNAL
45911-0964	SIGNAL	SIGNAL	POWER	SIGNAL	SIGNAL
45911-0965	POWER	POWER	SIGNAL	SIGNAL	SIGNAL
45911-0966	POWER	POWER	POWER	SIGNAL	SIGNAL
45911-0967	POWER	POWER	POWER	POWER	SIGNAL
45911-0968	POWER	POWER	POWER	SIGNAL	POWER
45911-0969	POWER	POWER	SIGNAL	POWER	POWER
45911-0970	POWER	SIGNAL	SIGNAL	SIGNAL	POWER
45911-0971	POWER	SIGNAL	POWER	SIGNAL	SIGNAL
45911-0972	POWER	SIGNAL	POWER	POWER	POWER
45911-0973	POWER	SIGNAL	POWER	SIGNAL	POWER
45911-0974	POWER	POWER	POWER	SIGNAL	POWER
45911-0975	SIGNAL	POWER	SIGNAL	POWER	SIGNAL
45911-0976	SIGNAL	SIGNAL	SIGNAL	SIGNAL	SIGNAL

5-SEGMENT ASSEMBLIES

MATERIAL NUMBER	SEG 6	SEG 5	SEG 4	SEG 3	SEG 2	SEG 1
45911-0977	POWER	SIGNAL	SIGNAL	SIGNAL	SIGNAL	SIGNAL
45911-0978	SIGNAL	POWER	SIGNAL	SIGNAL	SIGNAL	SIGNAL
45911-0979	SIGNAL	SIGNAL	POWER	SIGNAL	SIGNAL	SIGNAL
45911-0980	SIGNAL	SIGNAL	SIGNAL	POWER	SIGNAL	SIGNAL
45911-0981	SIGNAL	SIGNAL	SIGNAL	SIGNAL	POWER	SIGNAL
45911-0982	SIGNAL	SIGNAL	SIGNAL	SIGNAL	POWER	POWER
45911-0983	POWER	POWER	SIGNAL	SIGNAL	SIGNAL	SIGNAL
45911-0984	POWER	SIGNAL	POWER	SIGNAL	SIGNAL	SIGNAL
45911-0985	POWER	SIGNAL	SIGNAL	POWER	SIGNAL	SIGNAL
45911-0986	POWER	SIGNAL	SIGNAL	SIGNAL	POWER	SIGNAL
45911-0987	POWER	SIGNAL	SIGNAL	SIGNAL	SIGNAL	POWER
45911-0988	SIGNAL	POWER	POWER	SIGNAL	SIGNAL	SIGNAL
45911-0989	SIGNAL	POWER	SIGNAL	POWER	SIGNAL	SIGNAL
45911-0990	SIGNAL	POWER	SIGNAL	SIGNAL	POWER	SIGNAL
45911-0991	SIGNAL	POWER	SIGNAL	SIGNAL	SIGNAL	POWER
45911-0992	SIGNAL	SIGNAL	POWER	POWER	SIGNAL	SIGNAL
45911-0993	SIGNAL	SIGNAL	POWER	SIGNAL	POWER	SIGNAL
45911-0994	SIGNAL	SIGNAL	POWER	SIGNAL	SIGNAL	POWER
45911-0995	SIGNAL	POWER	POWER	SIGNAL	SIGNAL	SIGNAL
45911-0996	SIGNAL	SIGNAL	SIGNAL	POWER	POWER	SIGNAL
45911-0997	SIGNAL	SIGNAL	SIGNAL	SIGNAL	POWER	POWER
45911-0998	SIGNAL	SIGNAL	SIGNAL	POWER	SIGNAL	POWER
45911-0999	POWER	POWER	POWER	SIGNAL	SIGNAL	SIGNAL
45911-9901	SIGNAL	POWER	POWER	POWER	SIGNAL	SIGNAL
45911-9902	SIGNAL	SIGNAL	POWER	POWER	POWER	SIGNAL
45911-9903	SIGNAL	SIGNAL	SIGNAL	POWER	POWER	POWER
45911-9904	POWER	POWER	SIGNAL	POWER	SIGNAL	SIGNAL
45911-9905	POWER	POWER	SIGNAL	SIGNAL	POWER	SIGNAL
45911-9906	POWER	POWER	SIGNAL	SIGNAL	SIGNAL	POWER
45911-9907	SIGNAL	POWER	POWER	SIGNAL	POWER	SIGNAL
45911-9908	SIGNAL	POWER	POWER	SIGNAL	SIGNAL	POWER
45911-9909	SIGNAL	SIGNAL	POWER	POWER	SIGNAL	POWER
45911-9910	POWER	SIGNAL	POWER	POWER	SIGNAL	SIGNAL

MATERIAL NUMBER	SEG 6	SEG 5	SEG 4	SEG 3	SEG 2	SEG 1
45911-9911	POWER	SIGNAL	SIGNAL	POWER	POWER	SIGNAL
45911-9912	SIGNAL	POWER	SIGNAL	POWER	POWER	SIGNAL
45911-9913	POWER	SIGNAL	SIGNAL	SIGNAL	POWER	POWER
45911-9914	SIGNAL	POWER	SIGNAL	SIGNAL	POWER	POWER
45911-9915	SIGNAL	SIGNAL	POWER	SIGNAL	POWER	POWER
45911-9916	POWER	POWER	POWER	POWER	SIGNAL	SIGNAL
45911-9917	SIGNAL	POWER	POWER	POWER	POWER	SIGNAL
45911-9918	SIGNAL	SIGNAL	SIGNAL	POWER	POWER	POWER
45911-9919	POWER	POWER	POWER	SIGNAL	POWER	SIGNAL
45911-9920	POWER	POWER	POWER	SIGNAL	SIGNAL	POWER
45911-9921	POWER	POWER	POWER	POWER	SIGNAL	POWER
45911-9922	POWER	POWER	SIGNAL	POWER	SIGNAL	POWER
45911-9923	POWER	POWER	SIGNAL	SIGNAL	POWER	POWER
45911-9924	POWER	SIGNAL	POWER	POWER	POWER	SIGNAL
45911-9925	POWER	SIGNAL	SIGNAL	POWER	POWER	POWER
45911-9926	POWER	SIGNAL	POWER	POWER	SIGNAL	POWER
45911-9927	POWER	POWER	SIGNAL	POWER	POWER	SIGNAL
45911-9928	POWER	SIGNAL	SIGNAL	POWER	POWER	POWER
45911-9929	POWER	POWER	POWER	POWER	POWER	POWER
45911-9930	POWER	POWER	POWER	SIGNAL	POWER	POWER
45911-9931	POWER	POWER	POWER	POWER	SIGNAL	POWER
45911-9932	POWER	POWER	POWER	POWER	POWER	SIGNAL
45911-9933	SIGNAL	POWER	POWER	POWER	POWER	POWER
45911-9934	SIGNAL	SIGNAL	SIGNAL	SIGNAL	SIGNAL	SIGNAL

6-SEGMENT ASSEMBLIES

ENTER DESCRIPTION EC NO: UCP2015-0425 DRWN: JSCHAFFER 2011/11/07 CHKD: APATEL APPR: APATEL 2014/08/25 REV 1	QUALITY SYMBOLS $\nabla F = 0$ $\nabla F = 0$ $\nabla F = 0$	GENERAL TOLERANCES (UNLESS SPECIFIED) mm INCH 4 PLACES \pm --- \pm --- 3 PLACES \pm --- \pm --- 2 PLACES ± 0.25 \pm --- 1 PLACE ± 0.25 \pm --- ANGULAR $\pm 1/2^\circ$		DIMENSION STYLE MM ONLY	SCALE 1.5:1	DESIGN UNITS METRIC	THIRD ANGLE PROJECTION
		DRAWN BY JSCHAFFER	DATE 2011/11/07	TITLE POWER EDGE ASSEMBLY POWER / SIGNAL MIXED RT ANGLE SOLDER TAIL			
		CHECKED BY APATEL	DATE 2014/08/25	PARTS MOLEX INCORPORATED	DOCUMENT NO. SD-45911-002		
		APPROVED BY APATEL	DATE 2014/08/25	MATERIAL NO. 9999999999	SHEET NO. 5 OF 5		

DRAFT WHERE APPLICABLE
MUST REMAIN
WITHIN DIMENSIONS

THIS DRAWING CONTAINS INFORMATION THAT IS PROPRIETARY TO MOLEX INCORPORATED AND SHOULD NOT BE USED WITHOUT WRITTEN PERMISSION