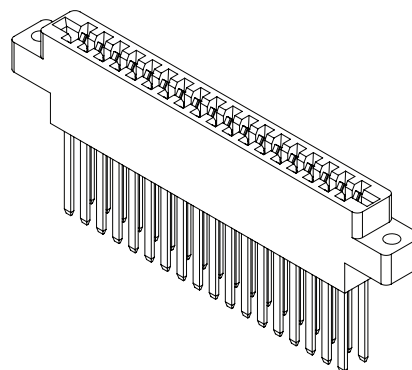




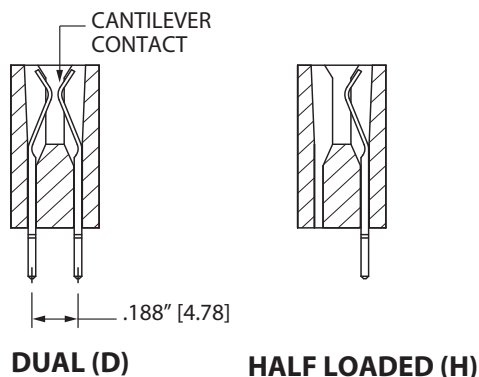
**.156" [3.96 mm] Contact Centers, .720" [18.29 mm] Insulator Height, .045" [1.14 mm] square / .031" [0.79 mm] X .062" [1.57 mm] Wire Wrap**

## SPECIFICATIONS

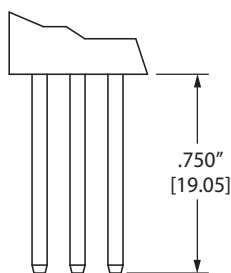
- Accommodates  $.062" \pm .008"$  [1.57 mm  $\pm$  0.20 mm] PC board
- PBT insulator
- Molded-in key available
- 3 Amps current rating per contact for contacts fully energized (for 5 Amps application, consult factory)
- 30 milli Ohms maximum at rated current
- UL Flammability Rating: 94V-0



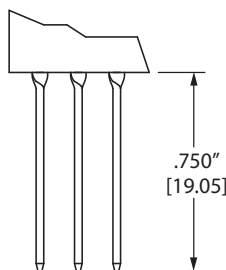
## READOUT



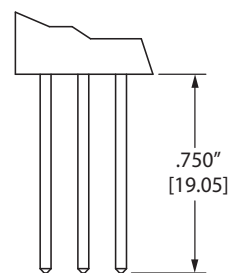
## TERMINATION TYPE



**.062" X .031" [1.57 X 0.79] POSTS, (KK)**

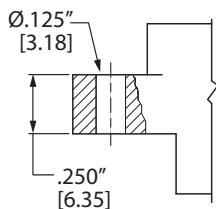


**.031" X .062" [0.79 X 1.57] 90° TWISTED POSTS, (KL)**



**.045" [1.14] SQUARE POSTS (WW)**

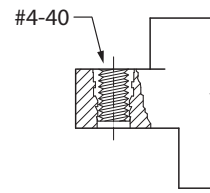
## MOUNTING STYLE



**CLEARANCE HOLE (H)**



**NO MOUNTING EARS (N)**



**THREADED INSERT (I)**



**.156" [3.96 mm] Contact Centers, .720" [18.29 mm] Insulator Height, .045" [1.14 mm] square / .031" [0.79 mm] X .062" [1.57 mm] Wire Wrap**

### PART NUMBER OPTIONS

#### MATERIALS (INSULATOR/CONTACT)

E = PBT/Phosphor Bronze (Standard)  
(Consult factory for other materials.)  
Refer to Page 7 for Operating/Processing Temperatures

#### CONTACT FINISH - RoHS Compliant

All platings are Lead Free and have .000050" Nickel underplate

Contact Surface	Termination
B = .000010" Gold	.000100" Pure Tin, Matte
C = .000030" Gold	.000100" Pure Tin, Matte
G = .000010" Gold	.000005" Gold
Y = .000030" Gold	.000005" Gold
Contact Surface	Overall Plating
S = .000010" Gold	.000010" Gold
M = .000030" Gold	.000010" Gold
E = .000100" Pure Tin, Matte	.000100" Pure Tin, Matte

#### CONTACT CENTERS

M = .156" [3.96 mm]

**E B M 43 D KK H - Sxxx**

#### MODIFICATION CODE (Consult Factory)

OMIT FOR STANDARD

#### MOUNTING STYLE (Opposite page)

H = Clearance Hole  
N = No Mounting  
I = Threaded Inserts

#### TERMINATION TYPE (Opposite Page)

KK = .062" X .031" [1.57 mm X 0.79 mm] Post  
KL = .031" X .062" [0.79 mm X 1.57 mm] Post, Twisted 90°  
WW = .045" [1.14 mm] Square Post

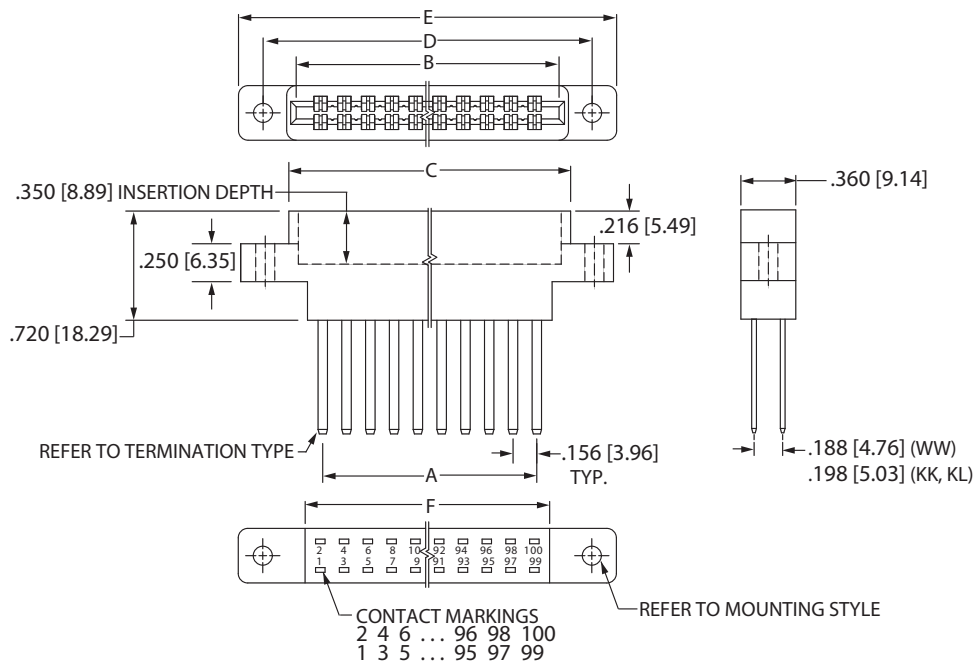
#### READOUT (Opposite Page)

D = Dual Row  
H = Half Loaded

#### NUMBER OF CONTACT POSITIONS

See Chart Below

### DIMENSIONS Dimensions in [ ] are in millimeters, all others are in inches.



POSITIONS/ CONTACTS	INCHES						MILLIMETERS					
	A±.008	B±.008	C±.015	D±.010	E±.020	F±.015	A±0.20	B±0.20	C±0.38	D±0.25	E±0.51	F±0.38
06/12	0.780	1.100	1.224	1.534	1.784	0.980	19.81	27.94	31.09	38.96	45.31	24.89
10/20	1.404	1.724	1.848	2.158	2.408	1.604	35.66	43.79	46.94	54.81	61.16	40.74
12/24	1.716	2.036	2.160	2.470	2.720	1.916	43.59	51.71	54.86	62.74	69.09	48.67
15/30	2.184	2.504	2.628	2.938	3.188	2.384	55.47	63.60	66.75	74.63	80.98	60.55
18/36	2.652	2.972	3.096	3.406	3.656	2.852	67.36	75.49	78.64	86.51	92.86	72.44
20/40	2.964	3.284	3.408	3.718	3.968	3.164	75.29	83.41	86.56	94.44	100.79	80.37
22/44	3.276	3.596	3.720	4.030	4.280	3.476	83.21	91.34	94.49	102.36	108.71	88.29
25/50*	3.744	4.064	4.188	4.498	4.748	3.944	95.10	103.23	106.38	114.25	120.60	100.18
28/56	4.212	4.532	4.656	4.966	5.216	4.412	106.98	115.11	118.26	126.14	132.49	112.06
30/60*	4.524	4.844	4.968	5.278	5.528	4.724	114.91	123.04	126.19	134.06	140.41	119.99
31/62*	4.680	5.000	5.124	5.434	5.684	4.880	118.87	127.00	130.15	138.02	144.37	123.95
36/72	5.460	5.780	5.904	6.214	6.464	5.660	138.68	146.81	149.96	157.84	164.19	143.76
43/86	6.552	6.872	6.996	7.306	7.556	6.752	166.42	174.55	177.70	185.57	191.92	171.50
50/100*	7.644	7.964	8.088	8.398	8.648	7.844	194.16	202.29	205.44	213.31	219.66	199.24

\* Consult factory for availability.