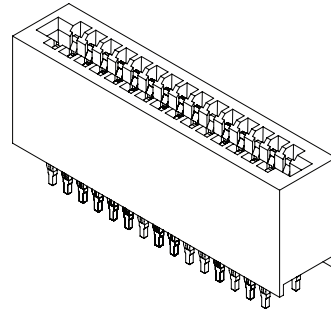




.100" [2.54 mm] Contact Centers, .550" [13.97 mm] or .610" [15.49 mm] Profile, Press Fit

SPECIFICATIONS

- UL Flammability Rating: 94V-0
- Designed to meet specifications of Bellcore specification TR-TSY-00078.
- Flat rock installation eliminates the need for any special installation tool.
- Integrally molded scoops available to assist daughter card entry.
- Molded-in key available



FEATURES

COMPLIANT SECTION INSERTION FORCE

40 lbs maximum per contact

COMPLIANT SECTION WITHDRAWAL FORCE

10 lbs minimum per contact

HOLE SIZE REQUIREMENTS

Drilled Hole Diameter: .0453" ± .0010" [1.150 mm ± 0.025 mm]

Plating: .001" [0.03 mm] to .003" [0.08 mm] Copper and .0003" [0.008 mm] Minimum Tin

FINISHED HOLE DIAMETER

.040" ± .003" [1.02 mm ± 0.08 mm]

SUITABLE FOR .062" [1.57] DAUGHTER CARD

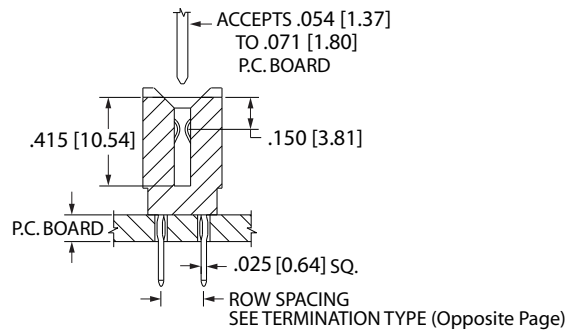
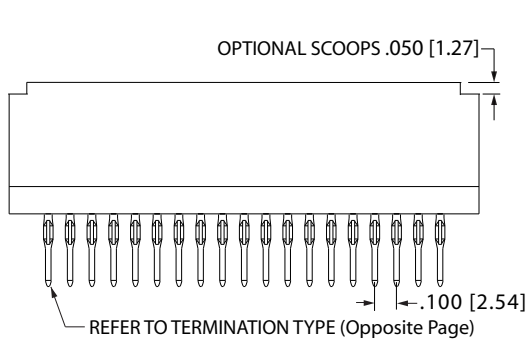
RECOMMENDED MOTHERBOARD THICKNESS

.093" to .125" [2.36 mm to 3.18 mm]

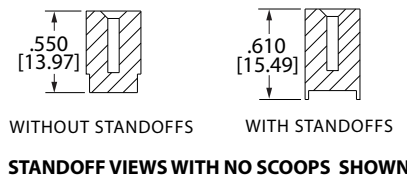
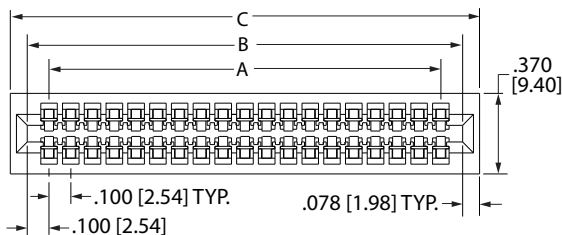
UL-CUL RECOGNIZED

Press Fit

DIMENSIONS Dimensions in [] are in millimeters, all others are in inches.



-S1136 (WITH SCOOPS) SHOWN ABOVE





.100" [2.54 mm] Contact Centers, .550" [13.97 mm] or .610" [15.49 mm] Profile, Press Fit

PART NUMBER OPTIONS

E C C 43 D JB N - Sxxx

MATERIALS (INSULATOR/CONTACT)
 E = PBT/Phosphor Bronze
 Refer to Page 7 for Operating/Processing Temperatures

CONTACT FINISH - RoHS Compliant
 All platings are Lead Free and have .000050" Nickel underplate

Contact Surface	Termination
C = .000030" Gold	.000100" Pure Tin, Matte

CONTACT CENTERS
 C = .100" [2.54 mm]

NUMBER OF CONTACT POSITIONS
 See Chart Below

READOUT
 D = Dual

MODIFICATIONS (Consult Factory)
 OMIT FOR STANDARD
 Special Number assigned for specials such as:
 - Scoops (-S1136)
 - Other Card Slot Depths

MOUNTING STYLE
 N = No Mounting

TERMINATION TYPE

Standoffs	Row Spacing	Tail Length
JB = No*	.200" [5.08 mm]	.190" [4.83 mm]
JC = No*	.200" [5.08 mm]	.625" [15.88 mm]
JW = Yes	.200" [5.08 mm]	.190" [4.83 mm]
JX = Yes	.200" [5.08 mm]	.565" [14.35 mm]
JF = No*	.100" [2.54 mm]	.190" [4.83 mm]
JG = No*	.100" [2.54 mm]	.625" [15.88 mm]
JY = Yes	.100" [2.54 mm]	.190" [4.83 mm]
JZ = Yes	.100" [2.54 mm]	.565" [14.35 mm]

* Consult factory for availability.

POSITIONS/ CONTACTS	A±.008[0.20]		B±.008[0.20]		C±.015[0.38]	
	in	mm	in	mm	in	mm
05/10	0.400	10.16	0.600	15.24	0.756	19.20
06/12	0.500	12.70	0.700	17.78	0.856	21.74
07/14	0.600	15.24	0.800	20.32	0.956	24.28
08/16*	0.700	17.78	0.900	22.86	1.056	26.82
09/18*	0.800	20.32	1.000	25.40	1.156	29.36
10/20	0.900	22.86	1.100	27.94	1.256	31.90
11/22*	1.000	25.40	1.200	30.48	1.356	34.44
12/24	1.100	27.94	1.300	33.02	1.456	36.98
13/26	1.200	30.48	1.400	35.56	1.556	39.52
14/28*	1.300	33.02	1.500	38.10	1.656	42.06
15/30	1.400	35.56	1.600	40.64	1.756	44.60
16/32	1.500	38.10	1.700	43.18	1.856	47.14
17/34	1.600	40.64	1.800	45.72	1.956	49.68
18/36	1.700	43.18	1.900	48.26	2.056	52.22
19/38*	1.800	45.72	2.000	50.80	2.156	54.76
20/40	1.900	48.26	2.100	53.34	2.256	57.30
21/42*	2.000	50.80	2.200	55.88	2.356	59.84
22/44	2.100	53.34	2.300	58.42	2.456	62.38
23/46	2.200	55.88	2.400	60.96	2.556	64.92
24/48	2.300	58.42	2.500	63.50	2.656	67.46
25/50	2.400	60.96	2.600	66.04	2.756	70.00
26/52	2.500	63.50	2.700	68.58	2.856	72.54
27/54*	2.600	66.04	2.800	71.12	2.956	75.08
28/56	2.700	68.58	2.900	73.66	3.056	77.62
29/58*	2.800	71.12	3.000	76.20	3.156	80.16
30/60	2.900	73.66	3.100	78.74	3.256	82.70
31/62	3.000	76.20	3.200	81.28	3.356	85.24
32/64*	3.100	78.74	3.300	83.82	3.456	87.78

POSITIONS/ CONTACTS	A±.008[0.20]		B±.008[0.20]		C±.015[0.38]	
	in	mm	in	mm	in	mm
33/66*	3.200	81.28	3.400	86.36	3.556	90.32
34/68	3.300	83.82	3.500	88.90	3.656	92.86
35/70	3.400	86.36	3.600	91.44	3.756	95.40
36/72	3.500	88.90	3.700	93.98	3.856	97.94
37/74*	3.600	91.44	3.800	96.52	3.956	100.48
38/76*	3.700	93.98	3.900	99.06	4.056	103.02
39/78*	3.800	96.52	4.000	101.60	4.156	105.56
40/80	3.900	99.06	4.100	104.14	4.256	108.10
41/82*	4.000	101.60	4.200	106.68	4.356	110.64
42/84*	4.100	104.14	4.300	109.22	4.456	113.18
43/86	4.200	106.68	4.400	111.76	4.556	115.72
44/88	4.300	109.22	4.500	114.30	4.656	118.26
45/90*	4.400	111.76	4.600	116.84	4.756	120.80
46/92*	4.500	114.30	4.700	119.38	4.856	123.34
47/94*	4.600	116.84	4.800	121.92	4.956	125.88
48/96*	4.700	119.38	4.900	124.46	5.056	128.42
49/98*	4.800	121.92	5.000	127.00	5.156	130.96
50/100	4.900	124.46	5.100	129.54	5.256	133.50
51/102*	5.000	127.00	5.200	132.08	5.356	136.04
52/104*	5.100	129.54	5.300	134.62	5.456	138.58
53/106*	5.200	132.08	5.400	137.16	5.556	141.12
54/108*	5.300	134.62	5.500	139.70	5.656	143.66
55/110	5.400	137.16	5.600	142.24	5.756	146.20
56/112*	5.500	139.70	5.700	144.78	5.856	148.74
57/114*	5.600	142.24	5.800	147.32	5.956	151.28
58/116*	5.700	144.78	5.900	149.86	6.056	153.82
59/118*	5.800	147.32	6.000	152.40	6.156	156.36
60/120	5.900	149.86	6.100	154.94	6.256	158.90

* Consult factory for availability.