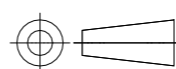


REVISIONS

P	LTR	DESCRIPTION	DATE	DWN	APVD
	H	ECR-22-153074	21SEP2022	TL	HL

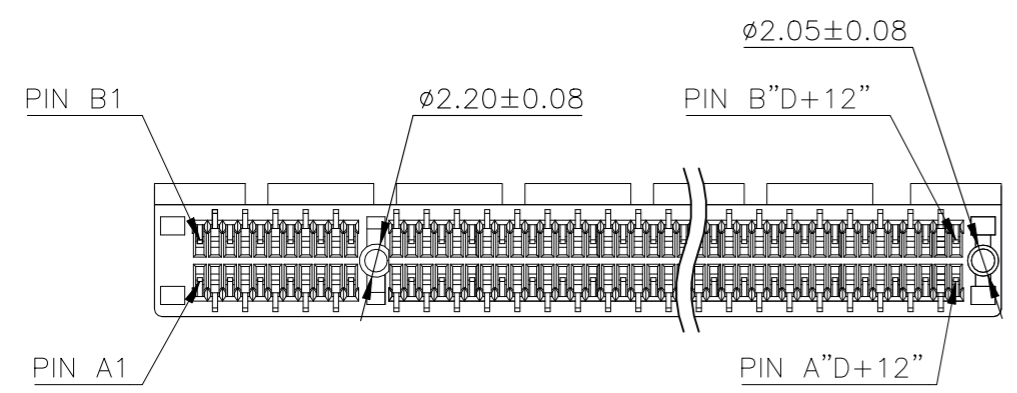
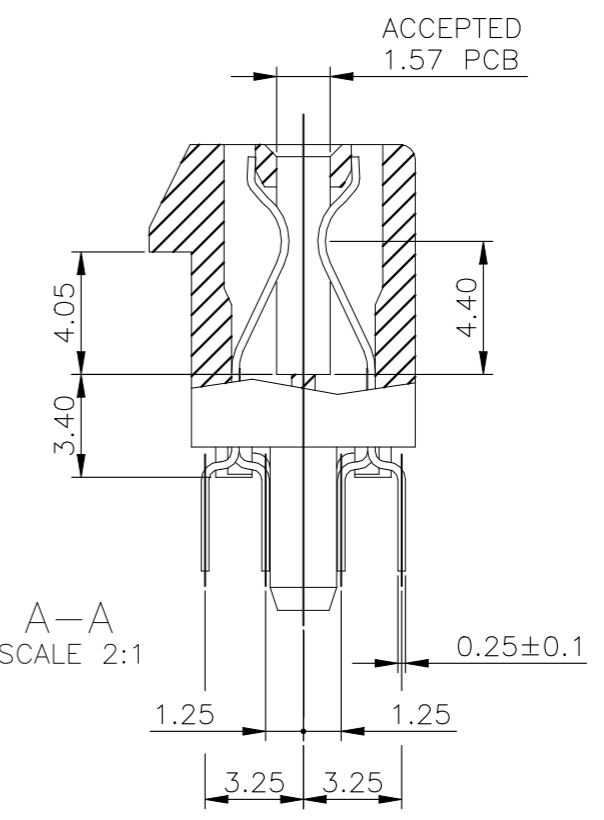
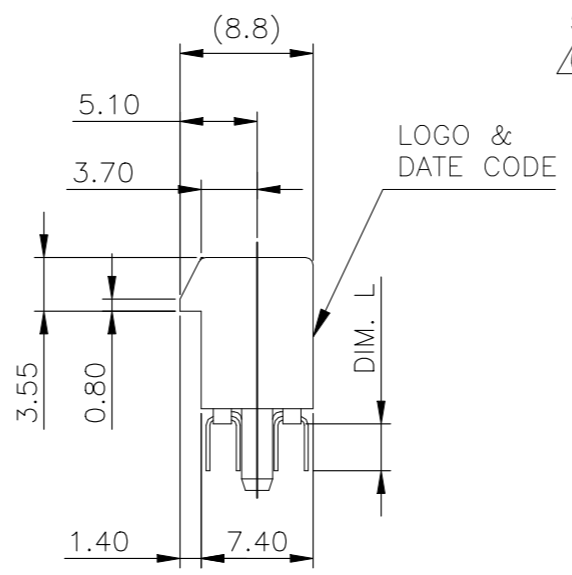
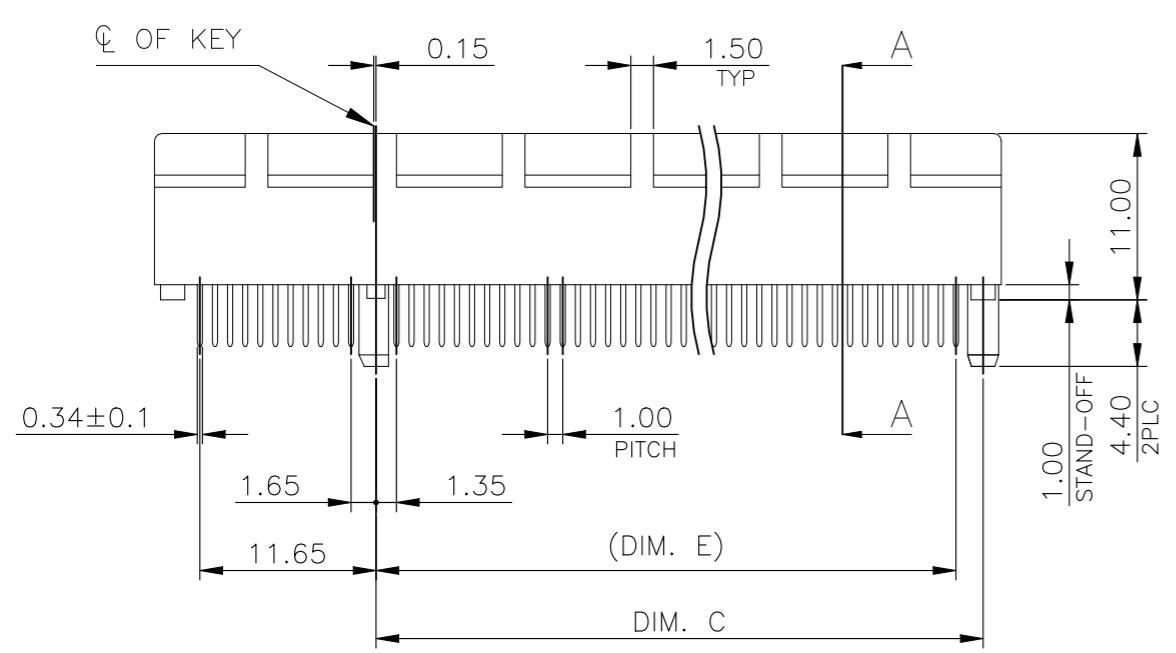
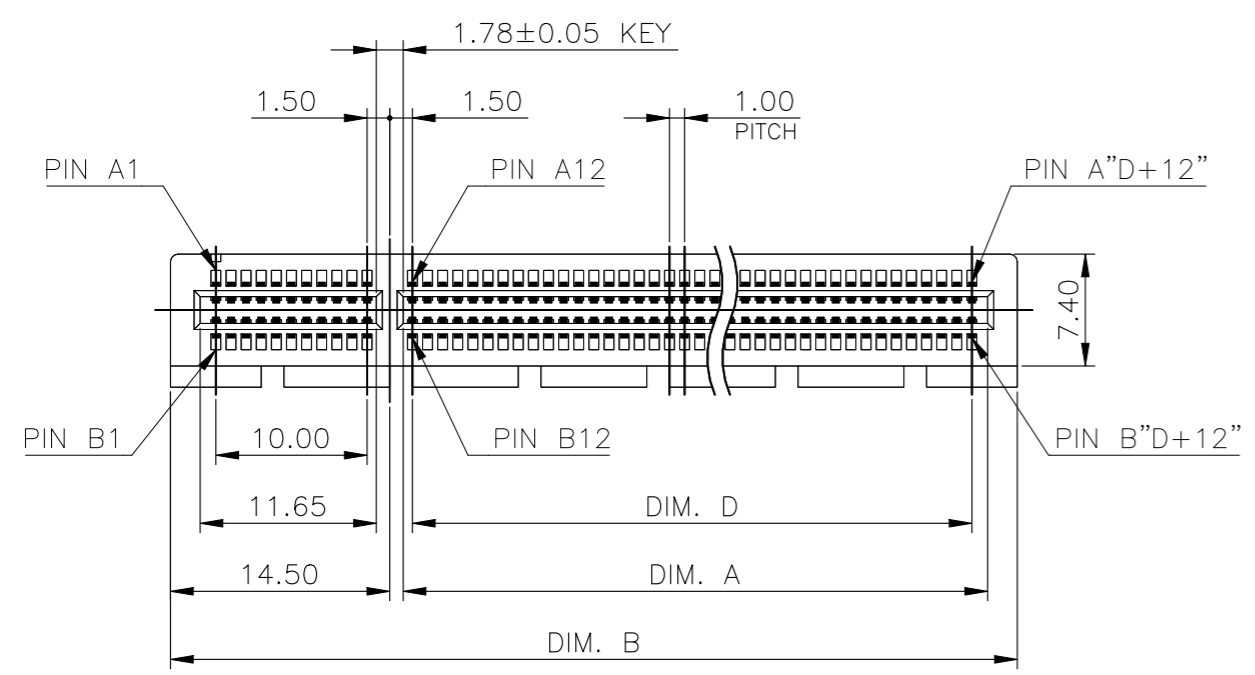
WEIGHT(g)	PCI-E COMPLIANCE	HOUSING MATERIAL	DIM. L	DIM. E	DIM. D	DIM. C	DIM. B	DIM. A	POS.	HOUSING COLOR	MIN. GOLD THICKNESS	PART NUMBER
8.7	GEN II & GEN III	PA9T	2.30	71.35	70	73.15	89	71.65	164	BLACK	30u"	4-1734774-8
5.45										WHITE		4-1734774-7
3.85				38.35	37	40.15	56	38.65	98	BLACK	30u"	4-1734774-6
2.55										WHITE		4-1734774-5
8.7				21.35	20	23.15	39	21.65	64	BLACK	30u"	4-1734774-4
										WHITE		4-1734774-3
5.45			7.35	6	9.15	25	7.65	36	BLACK	30u"	4-1734774-2	
									WHITE		4-1734774-1	
3.85			71.35	70	73.15	89	71.65	164	BLACK	15u"	4-1734774-0	
									WHITE	G/F	3-1734774-9	
2.55			38.35	37	40.15	56	38.65	98	BLACK	15u"	3-1734774-8	
									WHITE	G/F	3-1734774-7	
8.7	21.35	20	23.15	39	21.65	64	BLACK	15u"	3-1734774-6			
							WHITE	G/F	3-1734774-5			
5.45	7.35	6	9.15	25	7.65	36	BLACK	15u"	3-1734774-4			
							WHITE	G/F	3-1734774-3			
3.85	21.35	20	23.15	39	21.65	64	BLACK	15u"	3-1734774-2			
							WHITE	G/F	3-1734774-1			
2.55	7.35	6	9.15	25	7.65	36	BLACK	15u"	3-1734774-0			
							WHITE	G/F	2-1734774-9			
8.7	71.35	70	73.15	89	71.65	164	BLACK	15u"	2-1734774-8			
							WHITE	G/F	2-1734774-7			
5.45	38.35	37	40.15	56	38.65	98	BLACK	15u"	2-1734774-6			
							WHITE	G/F	2-1734774-5			
3.85	21.35	20	23.15	39	21.65	64	BLACK	15u"	2-1734774-4			
							WHITE	G/F	2-1734774-3			
2.55	7.35	6	9.15	25	7.65	36	BLACK	15u"	2-1734774-2			
							WHITE	G/F	2-1734774-1			
8.7	71.35	70	73.15	89	71.65	164	BLACK	15u"	1-1734774-6			
							WHITE	G/F	1-1734774-5			
5.45	38.35	37	40.15	56	38.65	98	BLACK	15u"	1-1734774-4			
							WHITE	G/F	1-1734774-3			
3.85	21.35	20	23.15	39	21.65	64	BLACK	15u"	1-1734774-2			
							WHITE	G/F	1-1734774-1			
2.55	7.35	6	9.15	25	7.65	36	BLACK	15u"	1-1734774-0			
							WHITE	G/F	1734774-9			
8.7	71.35	70	73.15	89	71.65	164	BLACK	15u"	1734774-8			
							WHITE	G/F	1734774-7			
5.45	38.35	37	40.15	56	38.65	98	BLACK	15u"	1734774-6			
							WHITE	G/F	1734774-5			
3.85	21.35	20	23.15	39	21.65	64	BLACK	15u"	1734774-4			
							WHITE	G/F	1734774-3			
2.55	7.35	6	9.15	25	7.65	36	BLACK	15u"	1734774-2			
							WHITE	G/F	1734774-1			

WEIGHT(g)	PCI-E COMPLIANCE	HOUSING MATERIAL	DIM. L	DIM. E	DIM. D	DIM. C	DIM. B	DIM. A	POS.	HOUSING COLOR	MIN. GOLD THICKNESS	PART NUMBER
8.8	GEN II & GEN III	PA46	2.30	71.35	70	73.15	89	71.65	164	BLACK	30u"	9-1734774-7
5.5										WHITE		9-1734774-6
3.9				38.35	37	40.15	56	38.65	98	BLACK	30u"	9-1734774-5
2.55										WHITE		9-1734774-4
8.8				21.35	20	23.15	39	21.65	64	BLACK	30u"	9-1734774-3
										WHITE		9-1734774-2
5.5			7.35	6	9.15	25	7.65	36	BLACK	30u"	9-1734774-1	
									WHITE		9-1734774-0	
3.9			71.35	70	73.15	89	71.65	164	BLACK	15u"	8-1734774-9	
									WHITE	G/F	8-1734774-8	
2.55			38.35	37	40.15	56	38.65	98	BLACK	15u"	8-1734774-7	
									WHITE	G/F	8-1734774-6	
8.8	21.35	20	23.15	39	21.65	64	BLACK	15u"	8-1734774-5			
							WHITE	G/F	8-1734774-4			
5.5	7.35	6	9.15	25	7.65	36	BLACK	15u"	8-1734774-3			
							WHITE	G/F	8-1734774-2			
3.9	21.35	20	23.15	39	21.65	64	BLACK	15u"	8-1734774-1			
							WHITE	G/F	8-1734774-0			
2.55	7.35	6	9.15	25	7.65	36	BLACK	15u"	7-1734774-9			
							WHITE	G/F	7-1734774-8			
8.8	71.35	70	73.15	89	71.65	164	BLACK	15u"	7-1734774-7			
							WHITE	G/F	7-1734774-6			
5.5	38.35	37	40.15	56	38.65	98	BLACK	15u"	7-1734774-5			
							WHITE	G/F	7-1734774-4			
3.9	21.35	20	23.15	39	21.65	64	BLACK	15u"	7-1734774-3			
							WHITE	G/F	7-1734774-2			
2.55	7.35	6	9.15	25	7.65	36	BLACK	15u"	6-1734774-9			
							WHITE	G/F	6-1734774-8			
8.8	71.35	70	73.15	89	71.65	164	BLACK	15u"	6-1734774-7			
							WHITE	G/F	6-1734774-6			
5.5	38.35	37	40.15	56	38.65	98	BLACK	15u"	6-1734774-5			
							WHITE	G/F	6-1734774-4			
3.9	21.35	20	23.15	39	21.65	64	BLACK	15u"	6-1734774-3			
							WHITE	G/F	6-1734774-2			
2.55	7.35	6	9.15	25	7.65	36	BLACK	15u"	6-1734774-1			
							WHITE	G/F	6-1734774-0			
8.8	71.35	70	73.15	89	71.65	164	BLACK	15u"	6-1734774-9			
							WHITE	G/F	6-1734774-8			
5.5	38.35	37	40.15	56	38.65	98	BLACK	15u"	6-1734774-7			
							WHITE	G/F	6-1734774-6			
3.9	21.35	20	23.15	39	21.65	64	BLACK	15u"	6-1734774-5			
							WHITE	G/F	6-1734774-4			
2.55	7.35	6	9.15	25	7.65	36	BLACK	15u"	6-1734774-3			
							WHITE	G/F	6-1734774-2			
8.8	71.35	70	73.15	89	71.65	164	BLACK	15u"	6-1734774-1			
							WHITE	G/F	6-1734774-0			
5.5	38.35	37	40.15	56	38.65	98	BLACK	15u"	5-1734774-9			
							WHITE	G/F	5-1734774-8			
3.9	21.35	20	23.15	39	21.65	64	BLACK	15u"	5-1734774-7			
							WHITE	G/F	5-1734774-6			
2.55	7.35	6	9.15	25	7.65	36	BLACK	15u"	5-1734774-5			
							WHITE	G/F	5-1734774-4			
8.8	71.35	70	73.15	89	71.65	164	BLACK	15u"	5-1734774-3			
							WHITE	G/F	5-1734774-2			
5.5	38.35	37	40.15	56	38.65	98	BLACK	15u"	5-1734774-1			
							WHITE	G/F	5-1734774-0			



THIS DRAWING IS A CONTROLLED DOCUMENT.		DWN TONY LI 21SEP2022	<b>STE</b> TE Connectivity Ltd.	
		CHK HOPE LU 21SEP2022		
DIMENSIONS: mm		APVD HOPE LU 21SEP2022	NAME	
TOLERANCES UNLESS OTHERWISE SPECIFIED:		PRODUCT SPEC	PCI EXPRESS CARD EDGE CONNECTOR	
0 PLC ± -		108-57871	VERTICAL DIP TYPE, GEN3	
1 PLC ± 0.30		APPLICATION SPEC	-	
2 PLC ± 0.20		WEIGHT 0	SIZE A3	CAGE CODE 00779
3 PLC ± 0.15		CUSTOMER DRAWING	DRAWING NO C-1734774	RESTRICTED TO -
4 PLC ± -			SCALE 1:1	SHEET 1 of 5
ANGLES ± 3°			REV H	
MATERIAL -				
FINISH -				

REVISIONS					
P	LTR	DESCRIPTION	DATE	DWN	APVD
-	-	SEE SHEET 1	-	-	-



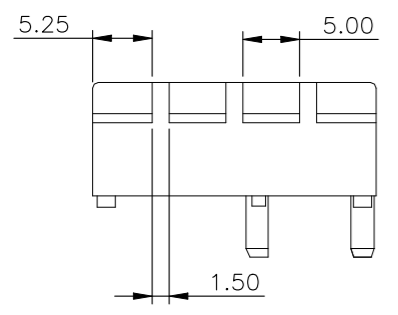
- NOTES:
- MATERIAL:
    - HOUSING: 1.PA46 WITH 40% G.F, UL94 V-0, COLOR: SEE TABLE.  
2.PA9T WITH 30% GF, UL94 V-0, COLOR: SEE TABLE.
    - CONTACT: PHOSPHOR BRONZE
  - FINISH:
 

CONTACT: (SEE TABLE) GOLD PLATING ON CONTACT AREA.  
2.54um [100u"] MIN. MATTE-TIN PALTING ON SOLDER TAIL AREA.  
1.27um [50u"] MIN. NICKEL UNDERPLATING OVERALL.
  - CONNECTOR HAS MET THE REQUIREMENTS PER PCI EXPRESS GEN 2 TECHNICAL DOCUMENT.
  - WEIGHT:
 

36 POS.: 2.55 GRAMS; 64 POS.: 3.90 GRAMS  
98 POS.: 5.50 GRAMS; 164 POS.: 8.80 GRAMS
  - WAVE SOLDER CAPABLE TO 265°C PER TEST SPEC. 109-202 CONDITION B.
  - REFLOW SOLDER CAPABLE TO 260°C PER TEST SPEC. 109-201 CONDITION B (REFLOW SOLDERING PLEASE USE PN : 1734774-1 TO 4-1734774-8)

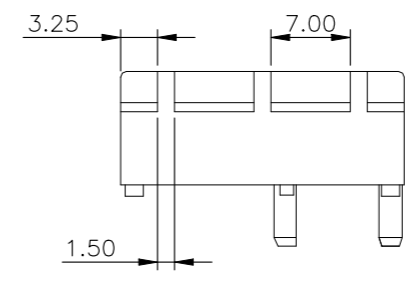
THIS DRAWING IS A CONTROLLED DOCUMENT.		DWN TONY LI 21SEP2022	TE Connectivity Ltd.		
DIMENSIONS: mm		CHK HOPE LU 21SEP2022			
TOLERANCES UNLESS OTHERWISE SPECIFIED:		APVD HOPE LU 21SEP2022	NAME		
0 PLC ± - 1 PLC ± 0.30 2 PLC ± 0.20 3 PLC ± 0.15 4 PLC ± - ANGLES ± 3°		PRODUCT SPEC 108-57871	PCI EXPRESS CARD EDGE CONNECTOR VERTICAL DIP TYPE, GEN3		
MATERIAL -		APPLICATION SPEC -	SIZE -	CAGE CODE A300779	DRAWING NO C-1734774
FINISH -		WEIGHT 0	RESTRICTED TO -		
CUSTOMER DRAWING			SCALE 1:1	SHEET 2 OF 5	REV H

REVISIONS					
P	LTR	DESCRIPTION	DATE	DWN	APVD
-	-	SEE SHEET 1	-	-	-



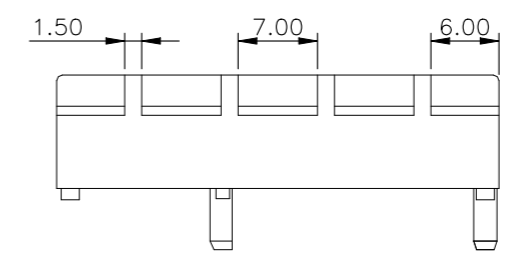
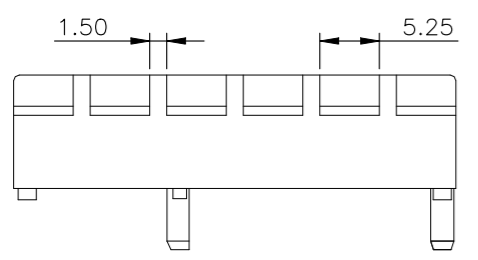
PN X-1 TO 4-X-8  
(PA9T TYPE)

36 POS.

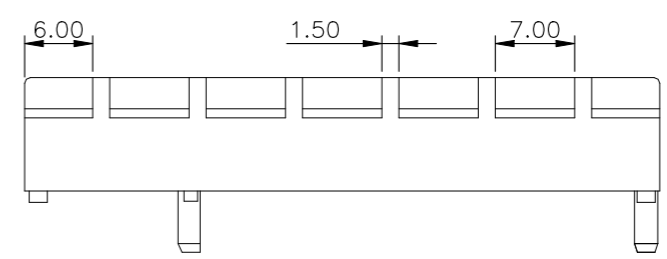
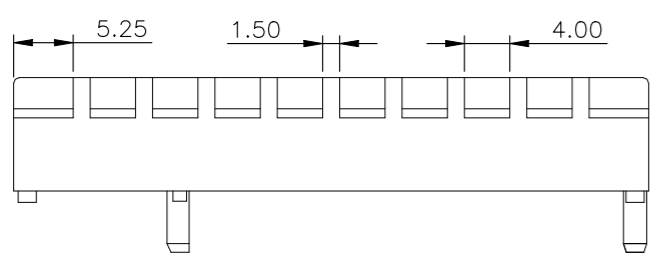


PN 5-X-0 TO 9-X-7  
(PA46 TYPE)

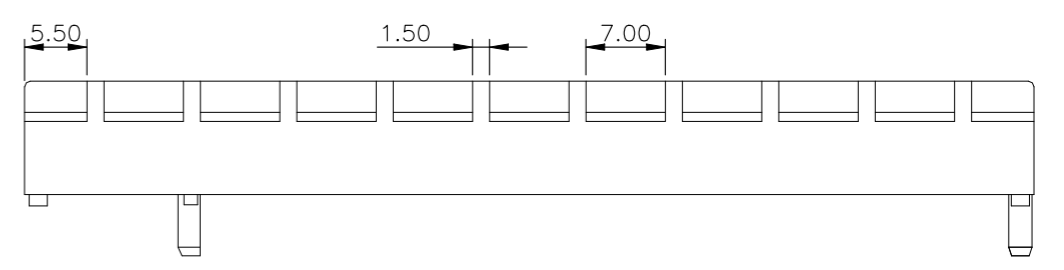
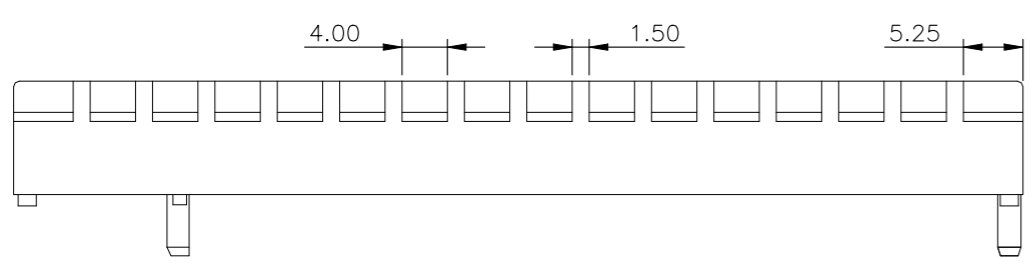
64 POS.




98 POS.



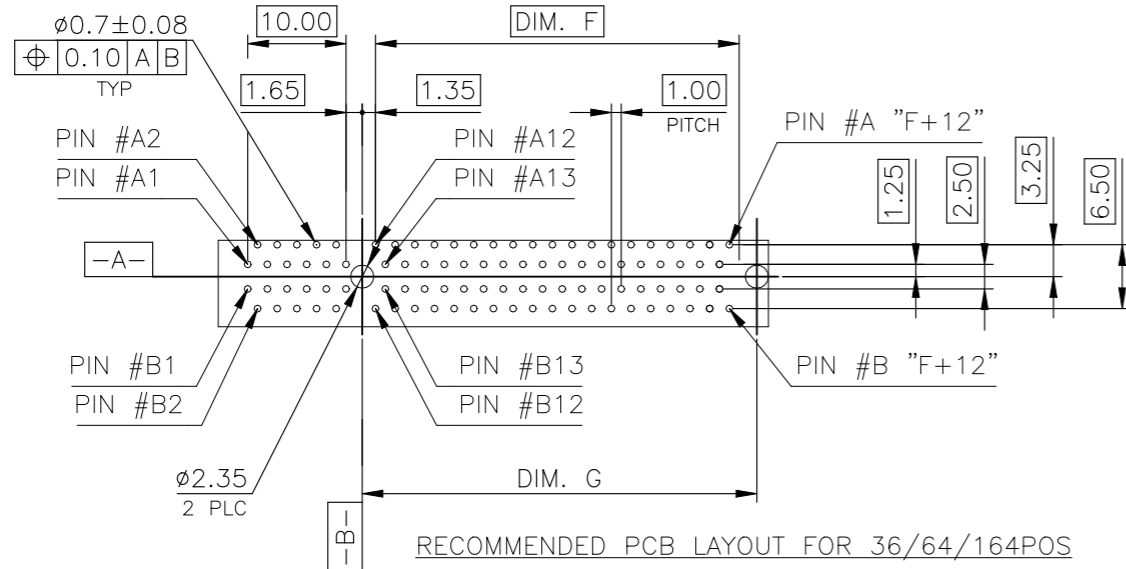
164 POS.



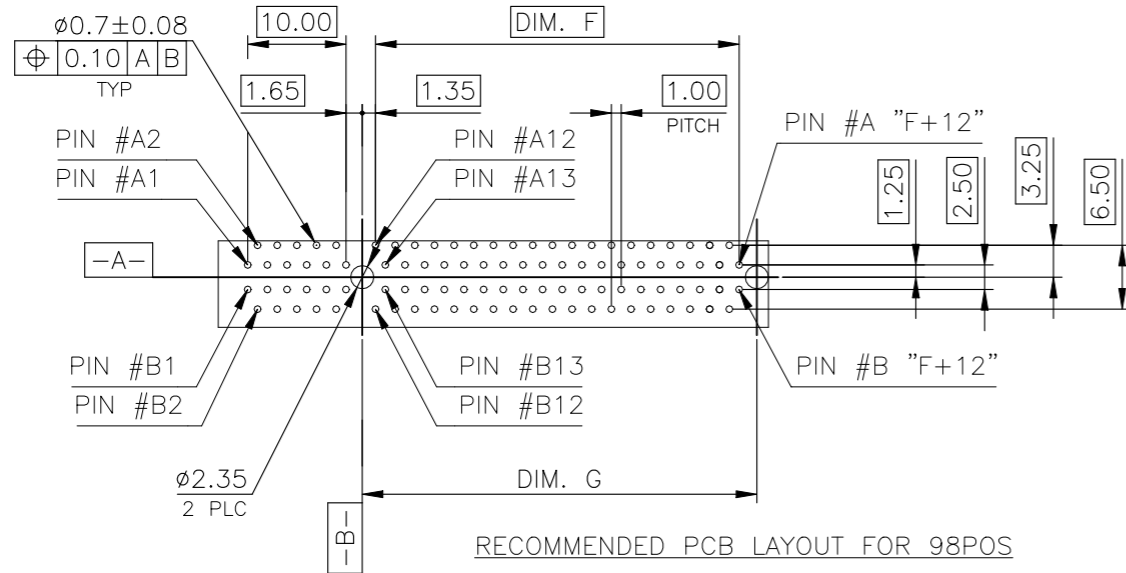
PRELIMINARY

THIS DRAWING IS A CONTROLLED DOCUMENT.		DWN TONY LI 21SEP2022	 TE Connectivity Ltd.		
DIMENSIONS: mm		CHK HOPE LU 21SEP2022			
TOLERANCES UNLESS OTHERWISE SPECIFIED:		APVD HOPE LU 21SEP2022	PRODUCT SPEC 108-57871		
0 PLC ± - 1 PLC ± 0.30 2 PLC ± 0.20 3 PLC ± 0.15 4 PLC ± - ANGLES ± 3°		APPLICATION SPEC -		SIZE A3	CAGE CODE 00779
MATERIAL -		FINISH -		DRAWING NO C-1734774	
		WEIGHT 0		RESTRICTED TO -	
CUSTOMER DRAWING			SCALE 1:1	SHEET 3 of 5	REV H

P	LTR	DESCRIPTION	DATE	DWN	APVD
-	-	SEE SHEET 1	-	-	-



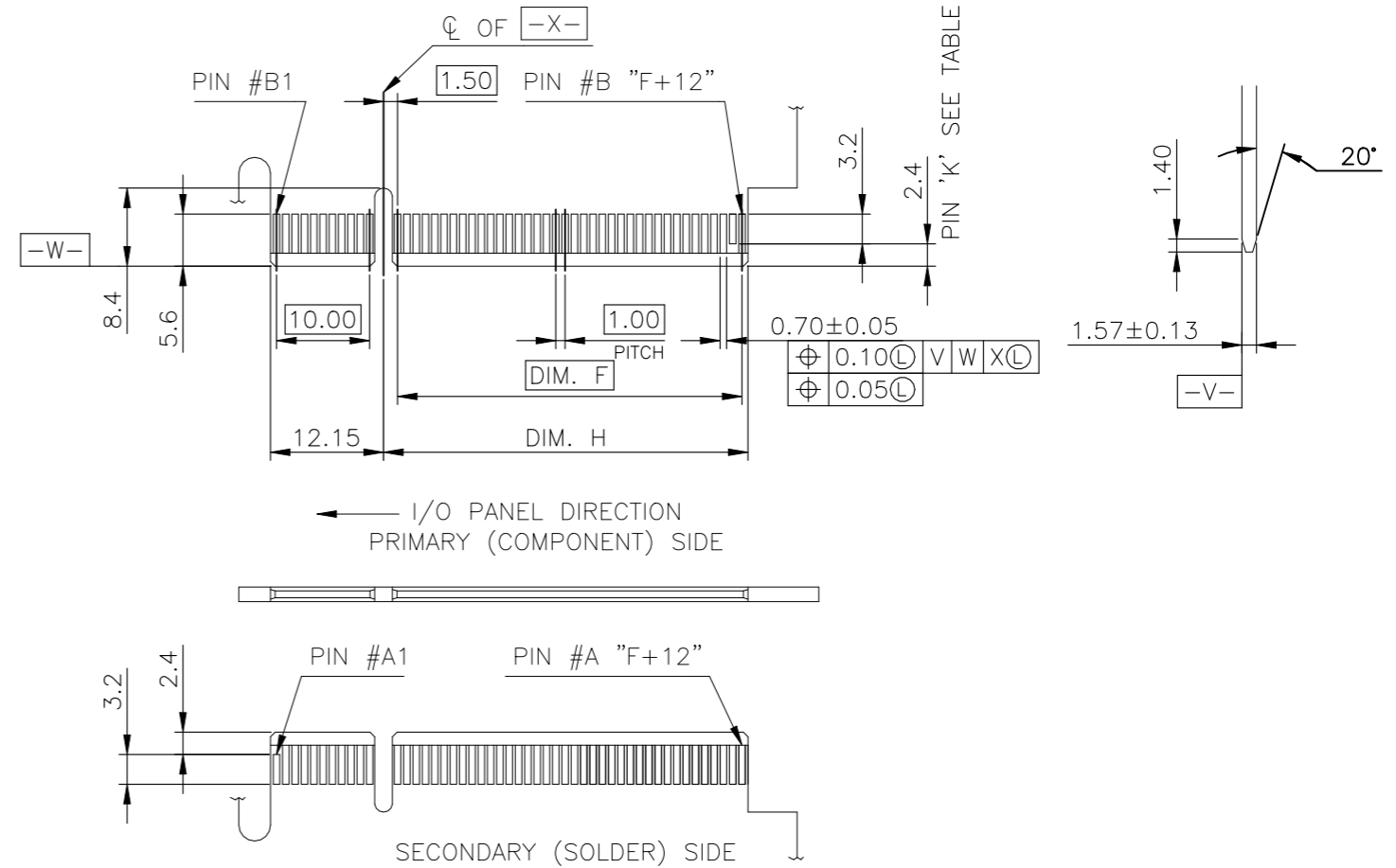
TOLERANCE:  $\pm 0.05$   
 FOR DIM.L=3.1mm PCB THICKNESS: 2.4mm  
 FOR DIM.L=2.3mm PCB THICKNESS: 1.6mm



TOLERANCE:  $\pm 0.05$   
 FOR DIM.L=3.1mm PCB THICKNESS: 2.4mm  
 FOR DIM.L=2.3mm PCB THICKNESS: 1.6mm

ADD-IN CARD EDGE-FINGER DIMENSIONS

NOTES:  
 CHAMFER EDGE MUST BE FREE OF CUTTING BURRS



164	70.0	73.15	72.15	A1, B17, B31, B48, B81
98	37.0	40.15	39.15	A1, B17, B31, B48
64	20.0	23.15	22.15	A1, B17, B31
36	6.0	9.15	8.15	A1, B17
POS.	DIM. F	DIM. G	DIM. H	"k"

THIS DRAWING IS A CONTROLLED DOCUMENT.

DIMENSIONS:	TOLERANCES UNLESS OTHERWISE SPECIFIED:
mm	
	0 PLC $\pm -$
	1 PLC $\pm 0.30$
	2 PLC $\pm 0.20$
	3 PLC $\pm 0.15$
	4 PLC $\pm -$
	ANGLES $\pm 3^\circ$
MATERIAL	FINISH
-	-

DWN	TONY LI	21SEP2022
CHK	HOPE LU	21SEP2022
APVD	HOPE LU	21SEP2022
PRODUCT SPEC	108-57871	
APPLICATION SPEC	-	
WEIGHT	0	
CUSTOMER DRAWING		

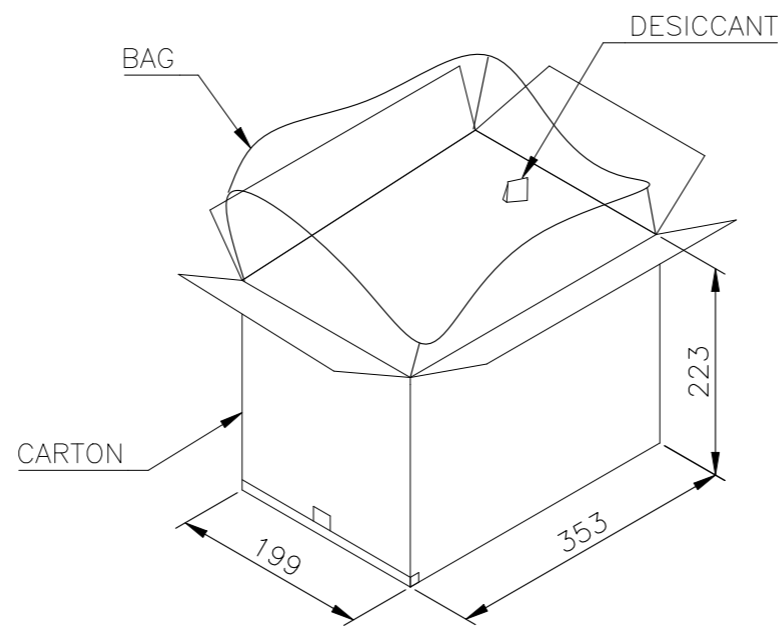
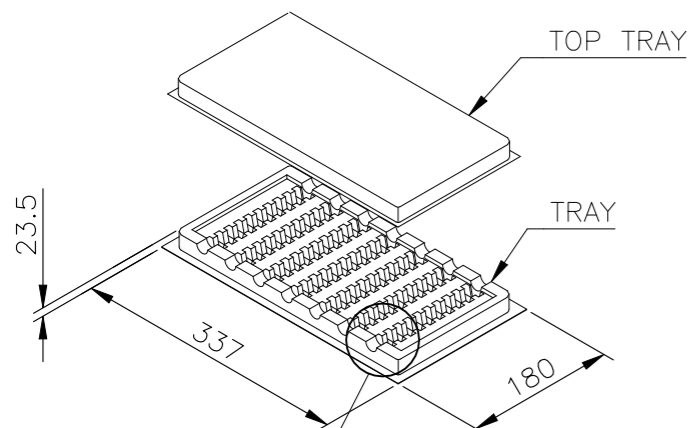


PCI EXPRESS CARD EDGE CONNECTOR  
 VERTICAL DIP TYPE, GEN3

SIZE	CAGE CODE	DRAWING NO	RESTRICTED TO
A3	00779	C-1734774	-
SCALE	1:1	SHEET	4 OF 5
REV	H		

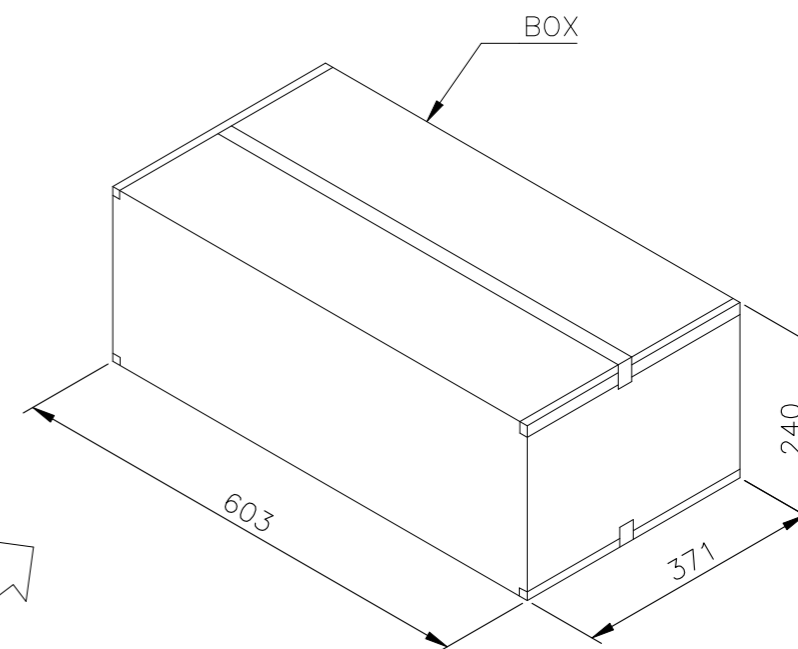
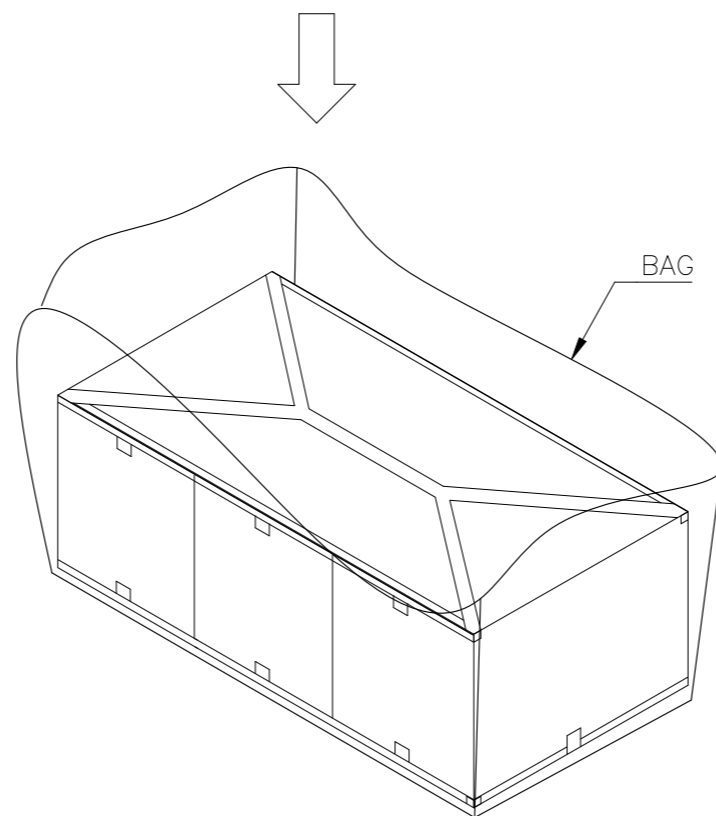
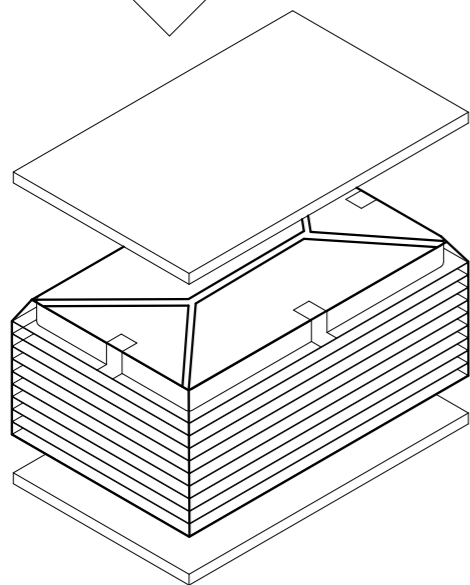
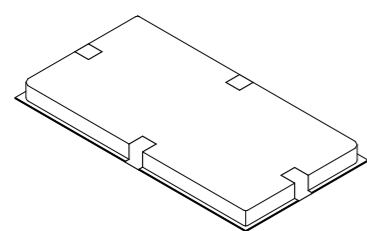
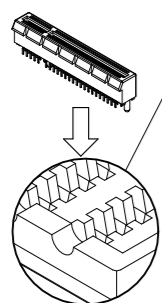
REVISIONS

P	LTR	DESCRIPTION	DATE	DWN	APVD
-	-	SEE SHEET 1	-	-	-



NOTES :

- MATERIAL :  
TRAY : PVC, COLOR: TRANSPARENT.  
CARTON: CORRUGATED FIBER  
BOX: CORRUGATED FIBER
- DIMENSION :  
TRAY: SEE DRAWING  
CARTON: SEE DRAWING  
BOX : SEE DRAWING
- QUANTITY : SEE TABLE
- WEIGHT : SEE TABLE



10.2 Kg	8.2 Kg	30	10	3	900	164
9.0 Kg	7.0 Kg	40	10	3	1200	98
8.5 Kg	6.5 Kg	60	10	3	1800	64
7.6 Kg	5.6 Kg	70	10	3	2100	36
GROSS WEIGHT	NET WEIGHT	PCS/ TRAY	TRAY/ CARTON	CARTON/ BOX	PCS/ BOX	POS.

THIS DRAWING IS A CONTROLLED DOCUMENT.

DIMENSIONS:	TOLERANCES UNLESS OTHERWISE SPECIFIED:
mm	
	0 PLC ± -
	1 PLC ± 0.30
	2 PLC ± 0.20
	3 PLC ± 0.15
	4 PLC ± -
	ANGLES ± 3°
MATERIAL	FINISH
-	-

DWN	TONY LI	21SEP2022
CHK	HOPE LU	21SEP2022
APVD	HOPE LU	21SEP2022
PRODUCT SPEC	108-57871	
APPLICATION SPEC	-	
WEIGHT	0	

		TE Connectivity Ltd.	
		PCI EXPRESS CARD EDGE CONNECTOR VERTICAL DIP TYPE, GEN3	
SIZE	CAGE CODE	DRAWING NO	RESTRICTED TO
A3	00779	C-1734774	-
CUSTOMER DRAWING		SCALE	SHEET
		1:1	5 of 5
		REV	H