

## 1 Description

The RedRock® RR122-3C62-511 and RR122-3C63-511 digital magnetic sensors are ideal for use in medical, industrial, automotive, and consumer applications. They are based on patented Tunneling Magneto-resistance (TMR) technology with seamless CMOS integration.

The RR122-3C62-511 and RR122-3C63-511 feature an operate sensitivity of 10 G (1.0 mT) with a bipolar magnetic field response. They offer a wide supply voltage range from 1.7V up to 5.5V, ideal for applications ranging from small battery-powered electronics to industrial machinery. They have a low average current drain (1.7 µA) for an active magnetic sensor, operating at 500 Hz and high operating temperature range from -40°C up to 125°C.

## Device Information

Part Series	Package	Body Size (mm)	Temp Rating °C
RR122-3C62-511	SOT-23-3	2.9 x 1.6 x 1.2	-40 to +85
RR122-3C63-511	SOT-23-3	2.9 x 1.6 x 1.2	-40 to +125

## Device Package



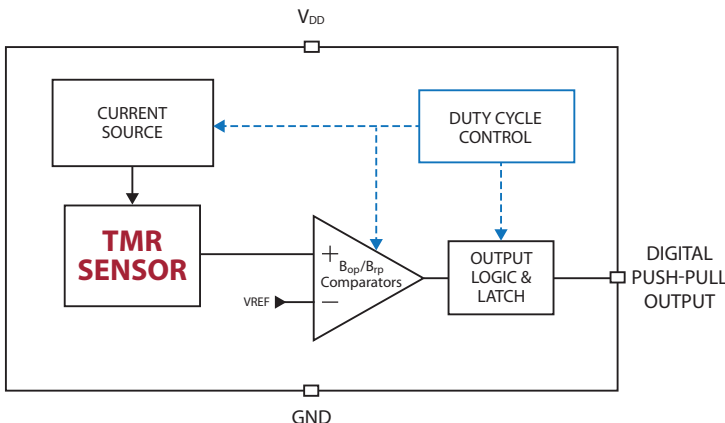
## 2 Features

- ▶ Operate sensitivity of 10 G
- ▶ Lowest Average Current < 1.7 µA
- ▶ Wide Supply Voltage Range of 1.7V - 5.5V
- ▶ Bipolar Latching Push-Pull Response
- ▶ Operating Frequency of 500 Hz
- ▶ Temperature Rated up to 125°C
- ▶ RoHS & REACH Compliant

## 3 Applications

- ▶ Proximity Detection
- ▶ Linear Position Sensing
- ▶ Rotary Sensing
- ▶ Fluid Level Detection
- ▶ Door & Lid Closure Detection
- ▶ Utility Meters
- ▶ Portable Medical Devices
- ▶ Motor Controllers
- ▶ Consumer Electronics

**Functional Block Diagram for Digital Push-Pull Output**



## Device Nomenclature

### Ordering Information

RR122-XXX-YYY		Package
Series		1: SOT-23-3
Magnetic Polarity Response		2: LGA-4
1 = Omnipolar	3 = Bipolar/Latch	5: SOT-23-5
2 = Unipolar		<b>Output Response</b>
<b>Magnetic Sensitivity (G)</b>		1: Active Low
A: Op 9, Rel 5	E: Op 15, Rel 10	<b>Supply Voltage (V)</b>
B: Op 30, Rel 20	F: Op 70, Rel 50	5: 1.7 - 5.5
C: Op 10, Rel -10		<b>Temp Rating (°C)</b>
<b>Clock Frequency (Hz)</b>		2: -40 - +85
1: 2	5: 250	9: 10000
2: 10	6: 500	U: 100+Turbo (10000)
3: 20	7: 2500	3: -40 - +125


## 4 Specifications

### 4.1 Absolute Environmental Ratings<sup>1,2</sup>

Parameters	Units	Min	Typ	Max
Operating Temperature ( $T_{OP}$ ) (RR122-3C62-511)	°C	-40		+85
Operating Temperature ( $T_{OP}$ ) (RR122-3C63-511)	°C	-40		+125
Storage Temperature ( $T_{STG}$ )	°C	-65		+150
Junction Temperature ( $T_J$ )	°C			+150
Soldering Temperature (3 cycles, 1 min.) ( $T_{SOL}$ )	°C			+260
ESD Level Human Body Model per JESD22-A114	V	±4000		
ESD Level Charged Device Model (CDM) per JESD22-C1010	V	±500		
Junction-to-Ambient Thermal Resistance	°C/W		215	
Maximum Magnetic Field Exposure ( $B_{MAX}$ )	G			600

### 4.2 Absolute Electrical Ratings<sup>1,2</sup>

Parameters	Units	Min	Typ	Max
Supply Voltage ( $V_{DD}$ )	V	-0.3		6.0
Push-pull Output (Active Low)( $V_{OUT\_PP}$ )	V	-0.3		$V_{DD}$
Input and Output Current ( $I_{IN}/I_{OUT}$ )	mA			±20

- Notes:**
- 
- Exceeding Absolute Ratings may cause permanent damage to the device. Exposure at the maximum rated conditions for extended periods of time may also affect device reliability.
  - Unless otherwise specified, all characteristics are measured at 25°C.

ESD Note: This product uses semiconductors that can be damaged by electrostatic discharge (ESD). When handling, proper ESD precautions should be taken to avoid performance degradation or loss of functionality. Damage due to inappropriate handling is not covered under warranty.

## 4 Specifications (cont.)

### 4.3 Operating Electrical Characteristics for RR122-3C62-511 and RR122-3C63-511<sup>1</sup>

Parameters	Units	Min	Typ	Max
Supply Voltage ( $V_{DD}$ )	V	1.7	3.0	5.5
Power-On Time ( $t_{ON}$ )( $V_{DD} > 90\%$ )	$\mu$ s		50	75
Peak Power-On Current	mA			1.4
Output Voltage (High) ( $V_{OUTH}$ )	V	90% $V_{DD}$		
Output Voltage (Low) ( $V_{OUTL}$ )	V			10% $V_{DD}$
Under Voltage Lockout Threshold Rising $V_{DD}$ ( $V_{UVLO-RISE}$ )	V		1.60	1.64
Under Voltage Lockout Threshold Falling $V_{DD}$ ( $V_{UVLO-FALL}$ )	V	1.44	1.53	
Under Voltage Lockout Hysteresis ( $V_{UV-HYST}$ )	mV		70	
Average Supply Current @ $V_{DD}=1.7$ V, $f_{SW}=500$ Hz ( $I_{DDAVG}$ )	$\mu$ A		1.7	
Average Supply Current @ $V_{DD}=3.0$ V, $f_{SW}=500$ Hz ( $I_{DDAVG}$ )	$\mu$ A		1.9	

#### Notes:

1. Unless otherwise specified,  $V_{DD} = 1.7$  V to 5.5 V,  $T_A = -40^\circ\text{C}$  to  $+85^\circ\text{C}$  (3C62),  $-40^\circ\text{C}$  to  $+125^\circ\text{C}$  (3C63). Typical values are  $V_{DD} = 3.0$  V and  $T_A = +25^\circ\text{C}$ .



ESD Note: This product uses semiconductors that can be damaged by electrostatic discharge (ESD). When handling, proper ESD precautions should be taken to avoid performance degradation or loss of functionality. Damage due to inappropriate handling is not covered under warranty.

### 4.4 Operating Characteristics for RR122-3C62-511 and RR122-3C63-511<sup>1</sup>

Parameters	Units	Min	Typ	Max
Switching Frequency ( $f_{SW}$ )	Hz	300	500	700
Active Mode Time ( $t_{ACT}$ )	$\mu$ s		2.6	
Idle Mode Time @ $f_{SW}=500$ Hz ( $t_{IDLE}$ )	ms	1.4	2	3.3
Operate Point ( $B_{OPS}$ )	G	7	10	13
Release Point ( $B_{RPN}$ )	G	-13	-10	-7

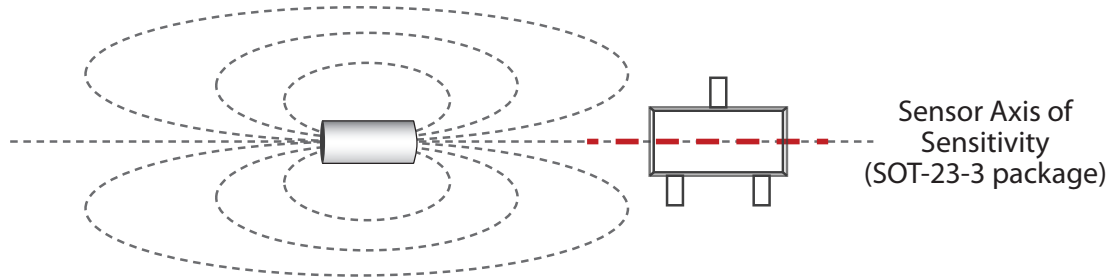
#### Notes:

1. Unless otherwise specified,  $V_{DD} = 1.7$  V to 5.5 V,  $T_A = -40^\circ\text{C}$  to  $+85^\circ\text{C}$  (3C62),  $-40^\circ\text{C}$  to  $+125^\circ\text{C}$  (3C63). Typical values are  $V_{DD} = 3.0$  V and  $T_A = +25^\circ\text{C}$ .

## 5 Magnetic Response

For more information please contact Coto Technology at RedRock@cotorelay.com.

### 5.1 Axis of Sensitivity

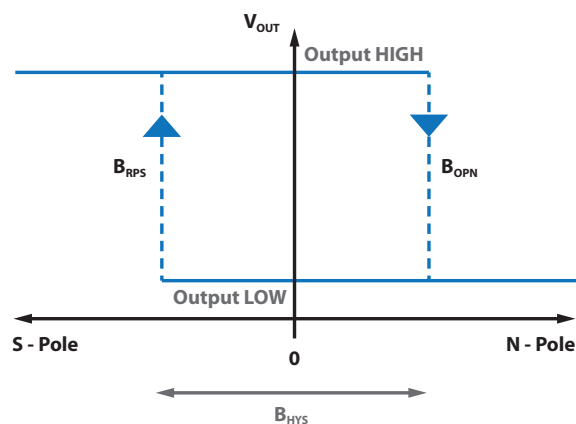


**Note:** The most straightforward way of aligning a magnet with a TMR sensor is by lining up the magnet's magnetization axis with the sensor's Axis of Sensitivity (as shown above). However, there are many other alignments and orientations that will also achieve proper operation. For any questions, or to learn more, please contact Coto Technology.

### 5.2 Magnetic Response Table (SOT-23-3 package)

Scenario	Step 1: Sensor is powered without magnetic field.	Step 2: Magnet applied, polarity <b>North</b> .	Step 3: Magnet removed.	Step 4: Magnet applied, polarity <b>South</b> .	Step 5: Magnet removed.
<b>BIPOLAR</b> SENSOR OUTPUT	HIGH	<b>LOW</b> (Activated)	<b>LOW</b> (Activated)	HIGH	HIGH

### 5.3 Magnetic Response Diagram

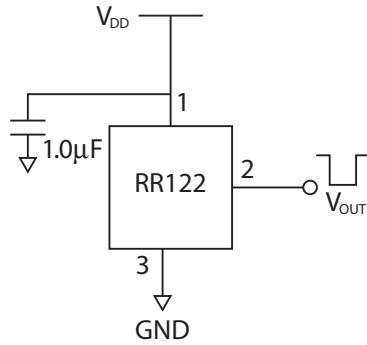


## 6 Application Information

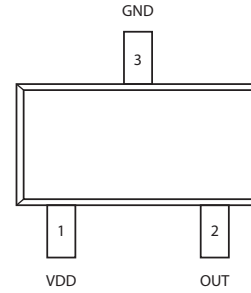
### RR122 Push-Pull Output Application Circuit

The output voltage on the RR122 is active low, meaning that while a sufficiently strong magnetic field is present, the output voltage is low. The output voltage can be connected to a digital I/O pin on a microcontroller. A decoupling capacitor with a minimum value of 1.0  $\mu$ F placed within 10 mm of the sensor is required.

#### 6.1 Application Circuit (SOT-23-3)

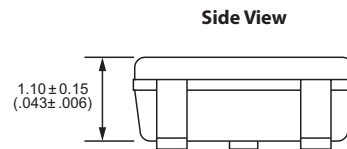
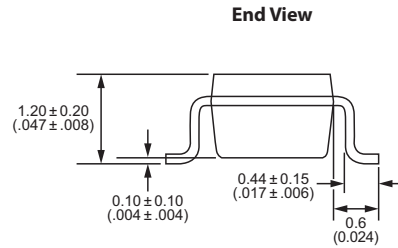
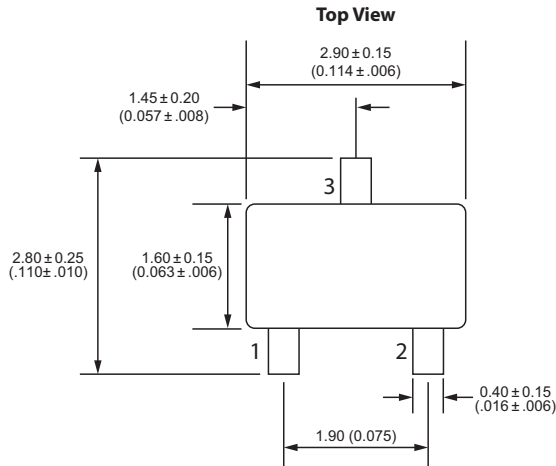


#### 6.2 Package Pinout (SOT-23-3)



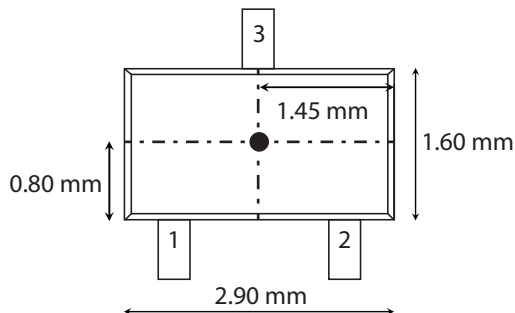
## 7 Dimensions *Millimeters (Inches)*

### SOT-23-3 Package

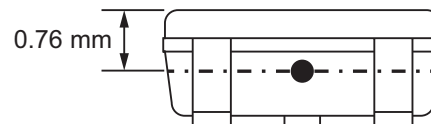


## 8 TMR Sensor Location

### SOT-23-3 Package



### SOT Package - Side View



## 9 TMR Sensor & Switch Packaging

### 9.1 SOT-23-3 Tape & Reel Packaging

Standard packaging is Tape & Reel containing 3,000 pieces. MSL Rating is 1.

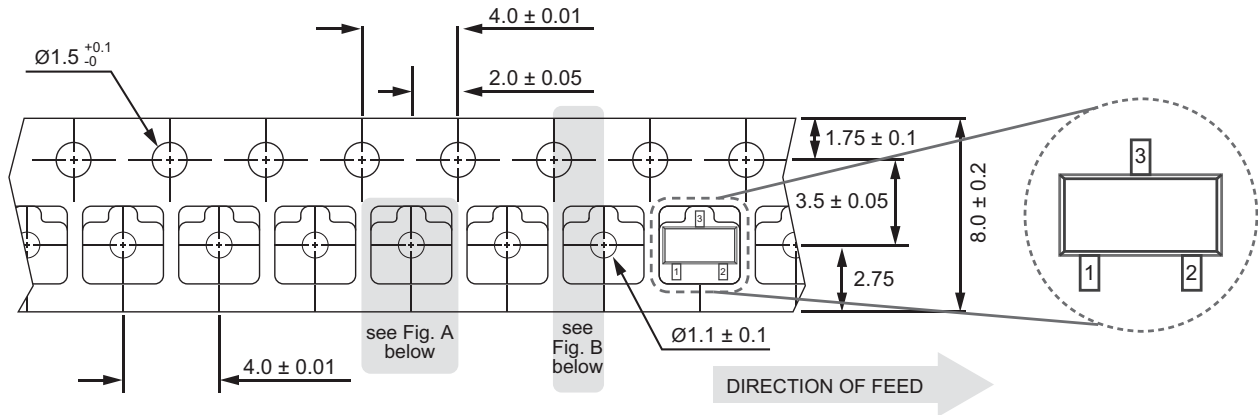


Fig. A

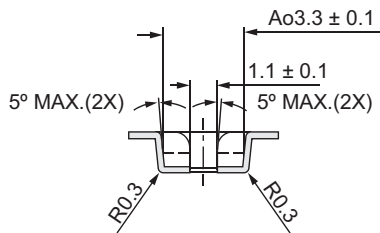
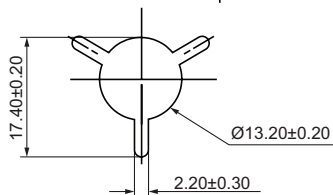
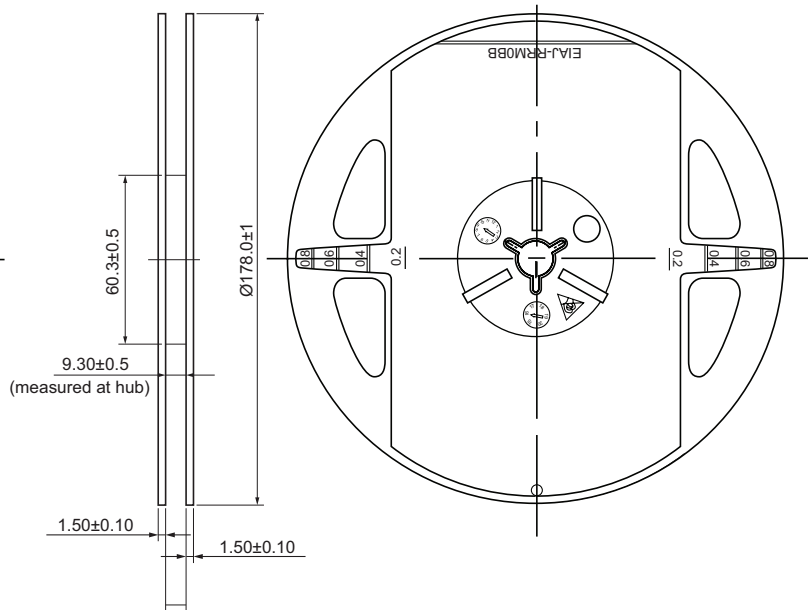
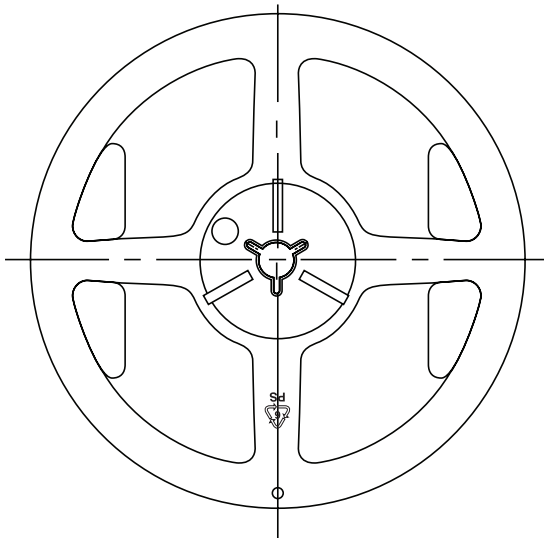
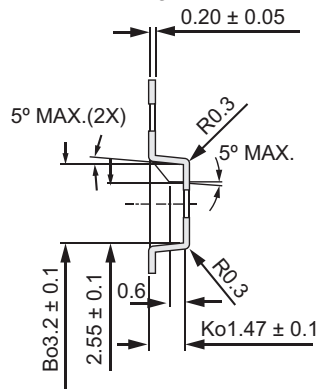


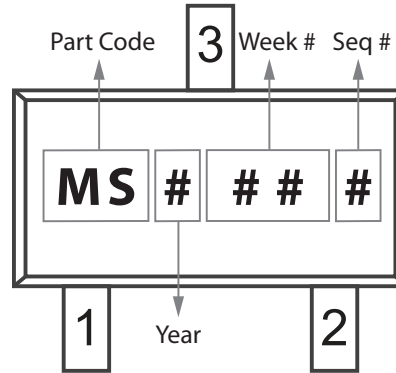
Fig. B



## 9 TMR Sensor & Switch Packaging

### 9.2 RedRock Package Codes

RR122-3C62-511 / RR122-3C63-511 (SOT-23-3)



### 9.3 RedRock TMR Packaging

#### Box Dimensions – 14x10x6 inches

- Fits 1 to 3 reels = 3000 to 9000 pcs
- Weight for 3000 pcs = 0.90 kilos
- Weight for 9000 pcs = 1.00 kilos

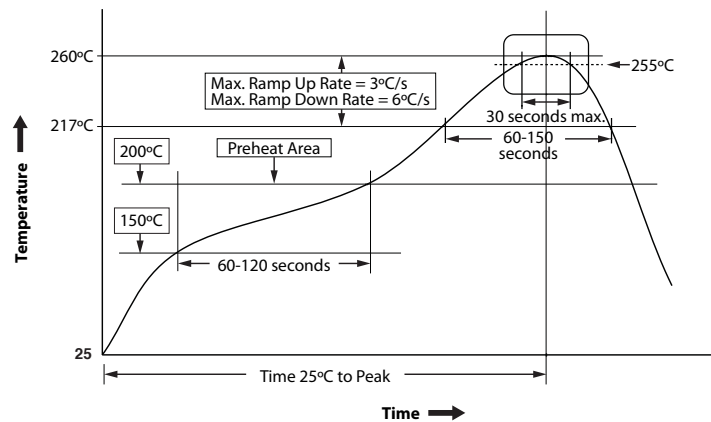
#### Box Dimensions – 18x14x12 inches

- Fits 4 to 24 reels = 12000 to 72000 pcs
- Weight for 12000 pcs = 1.50 kilos
- Weight for 72000 pcs = 4.90 kilos

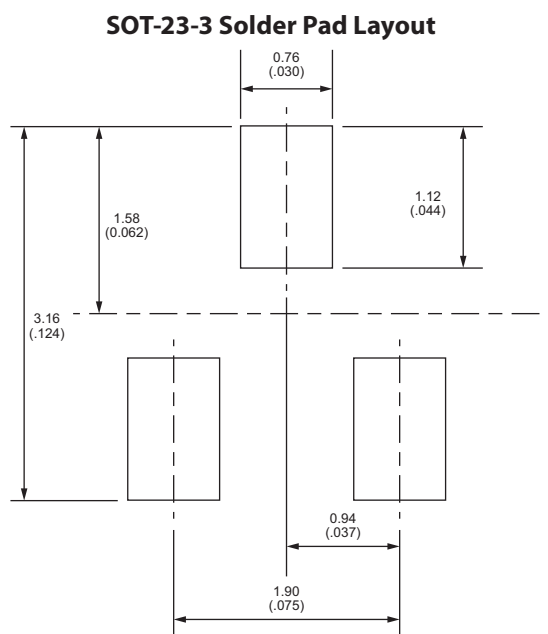
## 10 Suggested Pb-Free Reflow Profile

#### Notes:

1. Fully compatible with standard no-lead solder profile, 260 °C for 30 seconds max (3 cycles max).
2. Profile shown as example. Users are advised to develop their own board-level profile.
3. Suggested Pb-free reflow profile derived from IPC/JEDEC J-STD-020E.
4. Temperature tolerance: +0 °C, as measured at any point on the package or leads
5. MSL rating of 1 (SOT-23-3 only) compatible with J-STD-020 or equivalent.
6. MSL rating of 3 (LGA-4 and Leaded LGA-4) compatible with J-STD-020 or equivalent.
7. All temperatures refer to the center of the package, measured on the package body surface that is facing up during assembly reflow (e.g., live-bug). If parts are reflowed in other than the normal live bug assembly reflow orientation (i.e., dead-bug), Tp shall be within  $\pm 2$  °C of the live bug Tp and still meet the Tc requirements, otherwise, the profile shall be adjusted to achieve the latter. To accurately measure actual peak package body temperatures, refer to JEP140 for recommended thermocouple use.
8. Reflow profiles in this document are for classification/preconditioning and are not meant to specify board assembly profiles. Actual board assembly profiles should be developed based on specific process needs and board designs and should not exceed the parameters in this table.



## 11 Suggested Solder Pad Layout







## Revision History

	Date	Description
1	10/13/2020	Added Maximum Magnetic Field Exposure Value (Table 4.1)
2	10/13/2020	Modified Input and Output Current (Table 4.2)
3	10/13/2020	Modified UVLO Rise Value (Table 4.3)
4	10/13/2020	Modified UVLO Fall Value (Table 4.3)
5	10/13/2020	Added Supply Voltage, Typical (Table 4.3)
6	10/13/2020	Modified Switching Frequency MIN & MAX Values (Table 4.4)
7	10/13/2020	Modified Active Mode Time Value (Table 4.4)
8	10/13/2020	Added MIN & MAX Values to Idle Mode (Table 4.4)
9	10/13/2020	Modified Operate Point (BopN) MIN Value (Table 4.4)
10	10/13/2020	Modified Operate Point (BopS) MAX Value (Table 4.4)
11	10/14/2020	Modified Supply Voltage MAX Value (Table 4.2)
12	12/14/2021	Corrected Misleading Elements in Table 4.3
13	06/21/2022	Revised/expanded Magnetic Response Section (Section 5)
14	06/21/2022	Removed sections 7 and 10, consolidating information within new Section 5
15	06/21/2022	Modified packaging drawings (9.1)
16	06/21/2022	Added RedRock Package Code section (9.2)
17	06/21/2022	Added Package Pinouts (Section 6)
18	07/25/2022	Modified Under Voltage Lockout Hysteresis (Table 4,3)
19	10/13/2022	Modified Operate and Release Point values (Table 4.4)