

### 技术特性/Specifications:

额定电压 Rated voltage: 250V AC, DC  
 额定电流 Rated current: 15A max AC, DC  
 接触电阻 Contact resistance: 10mΩ max  
 绝缘电阻 Insulation resistance: 1000MΩ min  
 耐压 Withstand voltage: 1500V AC/minute  
 环境温度 Ambient temperature: -25°C~+85°C  
 适用线规 Wire range: AWG#24~#14

### 标准/Standard:

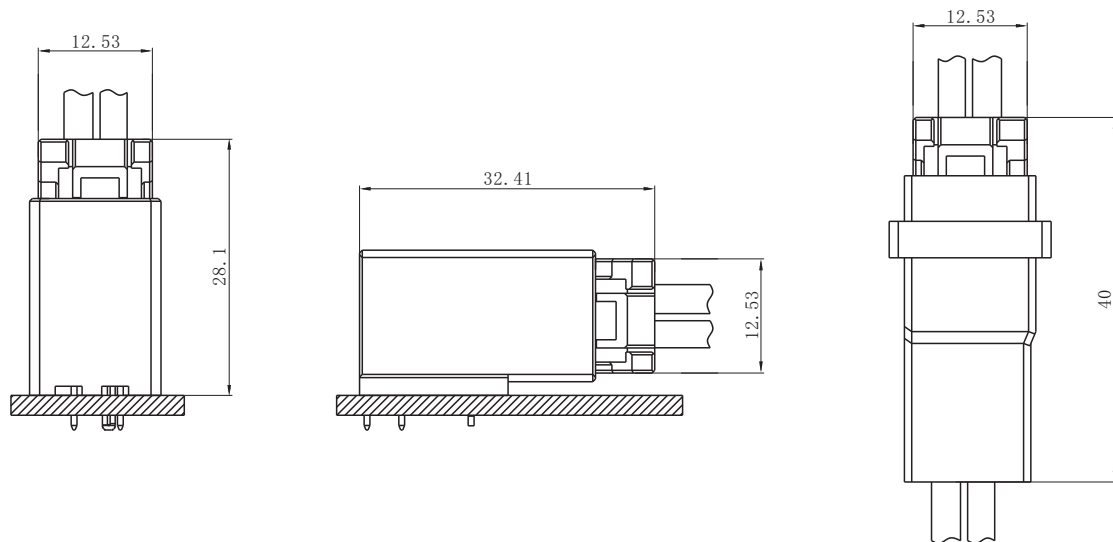


详细参数请咨询:

- E-mail: manager@zjdll.com
- E-mail: technical-support@zjdll.com
- WeChat: 13867778918

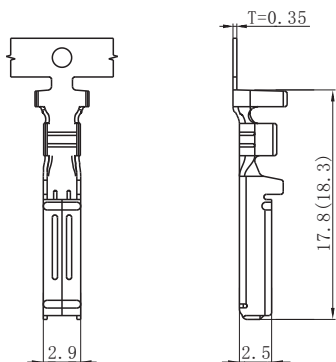
## PC电路板布局和组件布局 PC board layout and Assembly layout

### □ Assembly layout (装配布局)

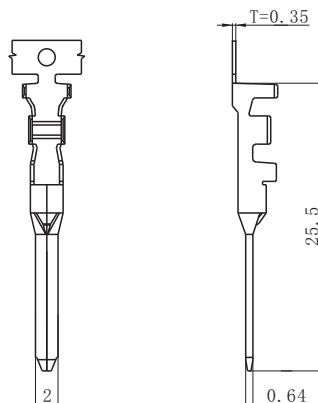


上图为连接器安装侧观察图  
Notes: The above figure is the figure viewed from the connector mounting side.

□ DL38101-T (DL3810-T)



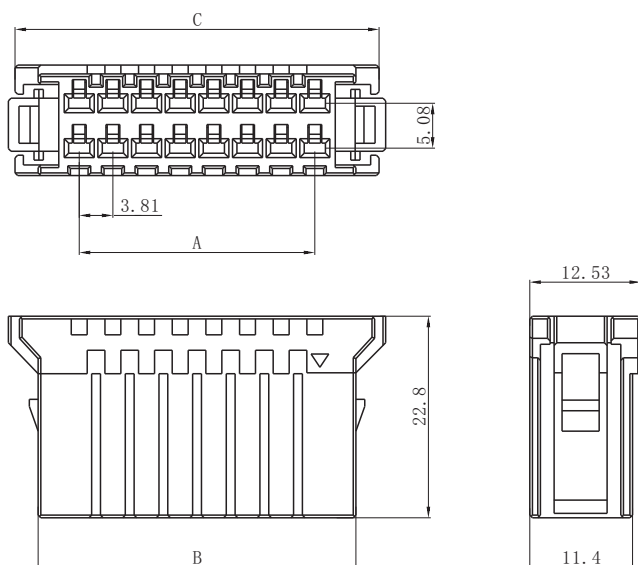
□ DL38101-RT (DL3810-RT)



| Model No. (型号)             | Applicable wire (适用线规) |       |                           | Material (材料)         | Plating (电镀)     | Qty/reel (数量/盘) |
|----------------------------|------------------------|-------|---------------------------|-----------------------|------------------|-----------------|
|                            | mm <sup>2</sup>        | AWG#  | Insulation O. D. (绝缘外径mm) |                       |                  |                 |
| DL38101-T (DL3810-T)       | 0.50~1.25              | 20~16 | φ 1.8~2.8                 | Phosphor bronze (磷青铜) | Gold Plated (镀金) | 3000            |
| DL38101-T-D (DL3810-T-D)   | 0.20~0.50              | 24~20 | φ 1.2~2.6                 | Phosphor bronze (磷青铜) | Gold Plated (镀金) | 3000            |
| DL38101-T-G (DL3810-T-G)   | 1.25~2.00              | 16~14 | φ 2.4~3.4                 | Phosphor bronze (磷青铜) | Gold Plated (镀金) | 3000            |
| DL38101-RT (DL3810-RT)     | 0.50~1.25              | 20~16 | φ 1.8~2.8                 | Phosphor bronze (磷青铜) | Gold Plated (镀金) | 3000            |
| DL38101-RT-D (DL3810-RT-D) | 0.20~0.50              | 24~20 | φ 1.2~2.6                 | Phosphor bronze (磷青铜) | Gold Plated (镀金) | 3000            |
| DL38101-RT-G (DL3810-RT-G) | 1.25~2.00              | 16~14 | φ 2.4~3.4                 | Phosphor bronze (磷青铜) | Gold Plated (镀金) | 3000            |

符合RoHS标准  
RoHS compliance

□ DL38101-Y (DL3810-Y)



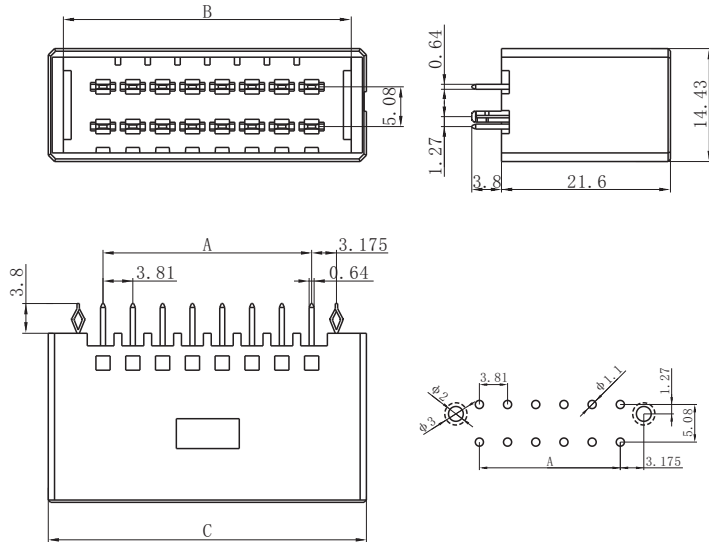
| Circuits (电路) | Product name (产品名称) | Dimensions (尺寸mm) |       |       |
|---------------|---------------------|-------------------|-------|-------|
|               |                     | A                 | B     | C     |
| 2X2           | DL3810-4Y           | 3.81              | 13.11 | 18.35 |
| 2X3           | DL3810-6Y           | 7.62              | 16.92 | 22.16 |
| 2X4           | DL3810-8Y           | 11.43             | 20.73 | 25.97 |
| 2X5           | DL3810-10Y          | 15.24             | 24.54 | 29.78 |
| 2X6           | DL3810-12Y          | 19.05             | 28.35 | 33.59 |
| 2X7           | DL3810-14Y          | 22.86             | 32.16 | 37.40 |
| 2X8           | DL3810-16Y          | 26.67             | 35.97 | 41.21 |
| 2X9           | DL3810-18Y          | 30.48             | 39.78 | 45.02 |
| 2X10          | DL3810-20Y          | 34.29             | 43.59 | 48.83 |
| 2X11          | DL3810-22Y          | 38.10             | 47.40 | 52.64 |
| 2X12          | DL3810-24Y          | 41.91             | 51.21 | 56.45 |

Material (材料)

Housing (胶壳): PBT UL94V-0

符合RoHS标准  
RoHS compliance

### DL38101-A (DL3810-A)



| Circuits<br>(电路) | Product name<br>(产品名称) | Dimensions (尺寸mm) |       |       |
|------------------|------------------------|-------------------|-------|-------|
|                  |                        | A                 | B     | C     |
| 2X2              | DL3810-4A              | 3.81              | 13.94 | 17.81 |
| 2X3              | DL3810-6A              | 7.62              | 17.75 | 21.62 |
| 2X4              | DL3810-8A              | 11.43             | 21.56 | 25.43 |
| 2X5              | DL3810-10A             | 15.24             | 25.37 | 29.24 |
| 2X6              | DL3810-12A             | 19.05             | 29.18 | 33.05 |
| 2X7              | DL3810-14A             | 22.86             | 32.99 | 36.86 |
| 2X8              | DL3810-16A             | 26.67             | 36.80 | 40.67 |
| 2X9              | DL3810-18A             | 30.48             | 40.61 | 44.48 |
| 2X10             | DL3810-20A             | 34.29             | 44.42 | 48.29 |
| 2X11             | DL3810-22A             | 38.10             | 48.23 | 52.10 |
| 2X12             | DL3810-24A             | 41.91             | 52.04 | 55.91 |

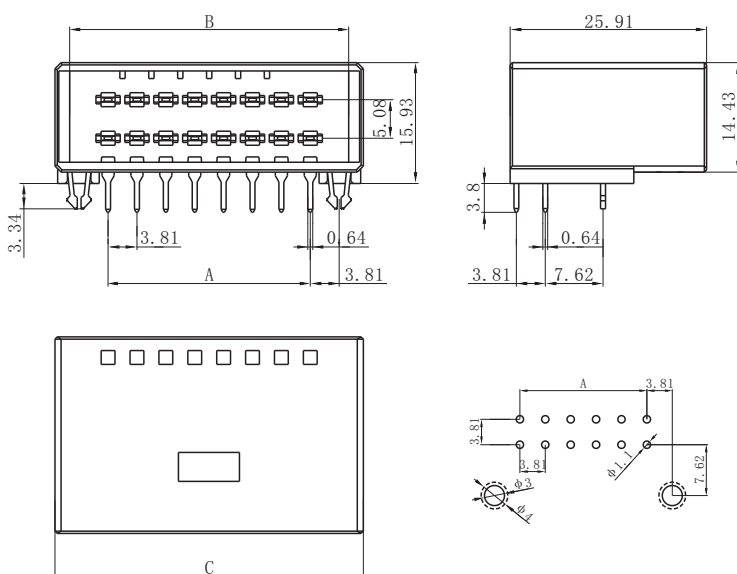
#### Material (材料)

Housing (胶壳): PBT UL94V-0

Wafer (接触件): Phosphor bronze (磷青铜) / Gold plated (镀金)

符合RoHS标准  
RoHS compliance

### DL38101-AW (DL3810-AW)



| Circuits<br>(电路) | Product name<br>(产品名称) | Dimensions (尺寸mm) |       |       |
|------------------|------------------------|-------------------|-------|-------|
|                  |                        | A                 | B     | C     |
| 2X2              | DL3810-4AW             | 3.81              | 13.94 | 17.81 |
| 2X3              | DL3810-6AW             | 7.62              | 17.75 | 21.62 |
| 2X4              | DL3810-8AW             | 11.43             | 21.56 | 25.43 |
| 2X5              | DL3810-10AW            | 15.24             | 25.37 | 29.24 |
| 2X6              | DL3810-12AW            | 19.05             | 29.18 | 33.05 |
| 2X7              | DL3810-14AW            | 22.86             | 32.99 | 36.86 |
| 2X8              | DL3810-16AW            | 26.67             | 36.80 | 40.67 |
| 2X9              | DL3810-18AW            | 30.48             | 40.61 | 44.48 |
| 2X10             | DL3810-20AW            | 34.29             | 44.42 | 48.29 |
| 2X11             | DL3810-22AW            | 38.10             | 48.23 | 52.10 |
| 2X12             | DL3810-24AW            | 41.91             | 52.04 | 55.91 |

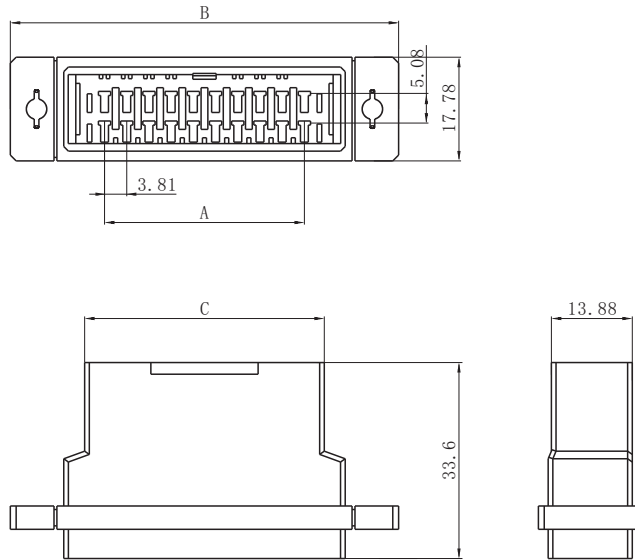
#### Material (材料)

Housing (胶壳): PBT UL94V-0

Wafer (接触件): Phosphor bronze (磷青铜) / Gold plated (镀金)

符合RoHS标准  
RoHS compliance

### DL38101-R (DL3810-R)



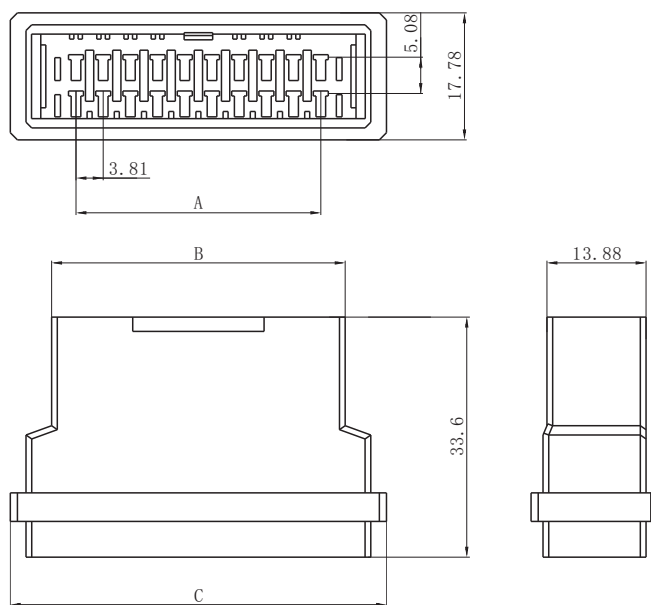
| Circuits<br>(电路) | Product name<br>(产品名称) | Dimensions (尺寸mm) |       |       |
|------------------|------------------------|-------------------|-------|-------|
|                  |                        | A                 | B     | C     |
| 2X2              | DL3810-4R              | 3.81              | 36.14 | 10.64 |
| 2X3              | DL3810-6R              | 7.62              | 39.95 | 14.45 |
| 2X4              | DL3810-8R              | 11.43             | 43.76 | 18.26 |
| 2X5              | DL3810-10R             | 15.24             | 47.57 | 22.07 |
| 2X6              | DL3810-12R             | 19.05             | 51.38 | 25.88 |
| 2X7              | DL3810-14R             | 22.86             | 55.19 | 29.69 |
| 2X8              | DL3810-16R             | 26.67             | 59.00 | 33.50 |
| 2X9              | DL3810-18R             | 30.48             | 62.81 | 37.31 |
| 2X10             | DL3810-20R             | 34.29             | 66.62 | 41.12 |
| 2X11             | DL3810-22R             | 38.10             | 70.43 | 44.93 |
| 2X12             | DL3810-24R             | 41.91             | 74.24 | 48.74 |

#### Material (材料)

Housing (胶壳): PBT UL94V-0

符合RoHS标准  
RoHS compliance

### DL38101-RF (DL3810-RF)



| Circuits<br>(电路) | Product name<br>(产品名称) | Dimensions (尺寸mm) |       |       |
|------------------|------------------------|-------------------|-------|-------|
|                  |                        | A                 | B     | C     |
| 2X2              | DL3810-4RF             | 3.81              | 10.64 | 22.21 |
| 2X3              | DL3810-6RF             | 7.62              | 14.45 | 26.02 |
| 2X4              | DL3810-8RF             | 11.43             | 18.26 | 29.83 |
| 2X5              | DL3810-10RF            | 15.24             | 22.07 | 33.64 |
| 2X6              | DL3810-12RF            | 19.05             | 25.88 | 37.45 |
| 2X7              | DL3810-14RF            | 22.86             | 29.69 | 41.26 |
| 2X8              | DL3810-16RF            | 26.67             | 33.50 | 45.07 |
| 2X9              | DL3810-18RF            | 30.48             | 37.31 | 48.88 |
| 2X10             | DL3810-20RF            | 34.29             | 41.12 | 52.69 |
| 2X11             | DL3810-22RF            | 38.10             | 44.93 | 56.50 |
| 2X12             | DL3810-24RF            | 41.91             | 48.74 | 60.31 |

#### Material (材料)

Housing (胶壳): PBT UL94V-0

符合RoHS标准  
RoHS compliance