

技术特性/Specifications:

额定电压 Rated voltage: 250V AC, DC
 额定电流 Rated current: 15A max AC, DC
 接触电阻 Contact resistance: 10mΩ max
 绝缘电阻 Insulation resistance: 1000MΩ min
 耐压 Withstand voltage: 1500V AC/minute
 环境温度 Ambient temperature: -25°C~+85°C
 适用线规 Wire range: AWG#24~#14

标准/Standard:

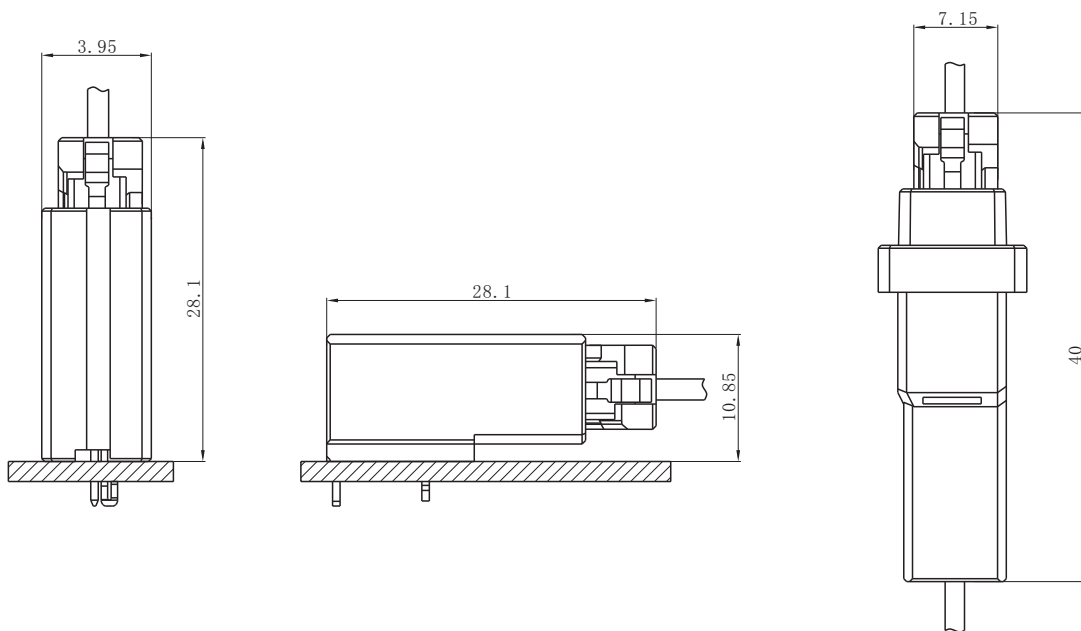


详细参数请咨询:

- E-mail: manager@zjdll.com
- E-mail: technical-support@zjdll.com
- WeChat: 13867778918

PC电路板布局和组件布局 PC board layout and Assembly layout

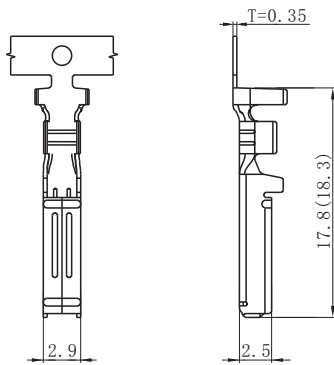
□ Assembly layout (装配布局)



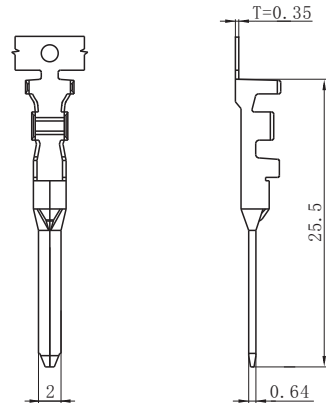
上图为连接器安装侧观察图

Notes: The above figure is the figure viewed from the connector mounting side.

□ DL38102-T (DL3810-T)



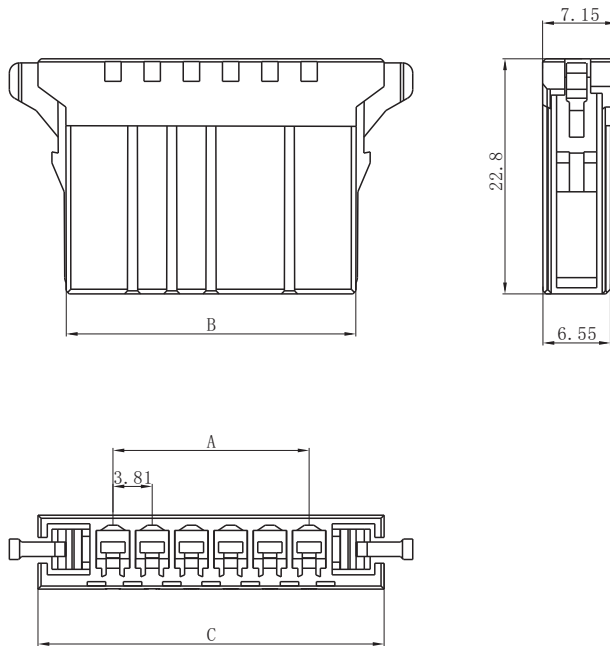
□ DL38102-RT (DL3810-RT)



| Model No. (型号) | Applicable wire (适用线规) | | | Material (材料) | Plating (电镀) | Qty/reel (数量/盘) |
|----------------------------|------------------------|-------|---------------------------|-----------------------|------------------|-----------------|
| | mm ² | AWG# | Insulation O. D. (绝缘外径mm) | | | |
| DL38201-T (DL3810-T) | 0.50~1.25 | 20~16 | φ 1.8~2.8 | Phosphor bronze (磷青铜) | Gold Plated (镀金) | 3000 |
| DL38102-T-D (DL3810-T-D) | 0.20~0.50 | 24~20 | φ 1.2~2.6 | Phosphor bronze (磷青铜) | Gold Plated (镀金) | 3000 |
| DL38102-T-G (DL3810-T-G) | 1.25~2.00 | 16~14 | φ 2.4~3.4 | Phosphor bronze (磷青铜) | Gold Plated (镀金) | 3000 |
| DL38102-RT (DL3810-RT) | 0.50~1.25 | 20~16 | φ 1.8~2.8 | Phosphor bronze (磷青铜) | Gold Plated (镀金) | 3000 |
| DL38102-RT-D (DL3810-RT-D) | 0.20~0.50 | 24~20 | φ 1.2~2.6 | Phosphor bronze (磷青铜) | Gold Plated (镀金) | 3000 |
| DL38102-RT-G (DL3810-RT-G) | 1.25~2.00 | 16~14 | φ 2.4~3.4 | Phosphor bronze (磷青铜) | Gold Plated (镀金) | 3000 |

符合RoHS标准
RoHS compliance

□ DL38102-YM (DL3810-YM)



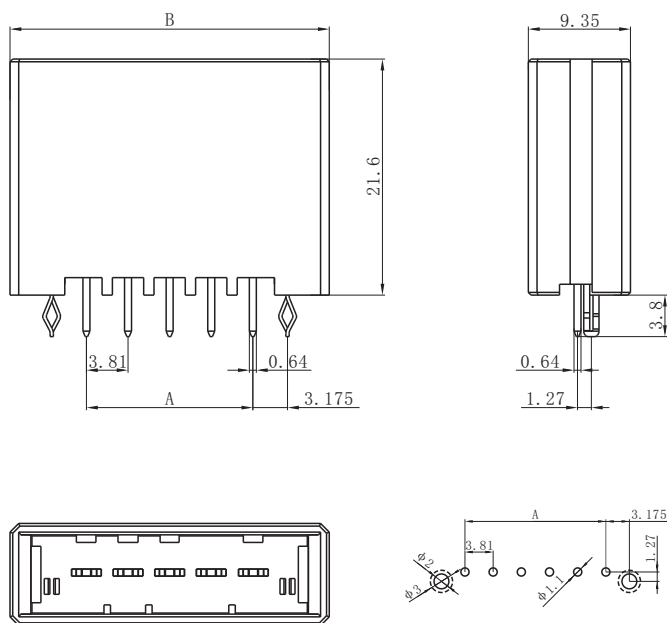
| Circuits (电路) | Product name (产品名称) | Dimensions (尺寸mm) | | |
|---------------|---------------------|-------------------|-------|-------|
| | | A | B | C |
| 2 | DL3810-2YM | 3.81 | 12.89 | 18.35 |
| 3 | DL3810-3YM | 7.62 | 16.70 | 22.16 |
| 4 | DL3810-4YM | 11.43 | 20.51 | 25.97 |
| 5 | DL3810-5YM | 15.24 | 24.32 | 29.78 |
| 6 | DL3810-6YM | 19.05 | 28.13 | 33.59 |
| 7 | DL3810-7YM | 22.86 | 31.94 | 37.40 |
| 8 | DL3810-8YM | 26.67 | 35.75 | 41.21 |
| 9 | DL3810-9YM | 30.48 | 39.56 | 45.02 |
| 10 | DL3810-10YM | 34.29 | 43.37 | 48.83 |
| 11 | DL3810-11YM | 38.10 | 47.18 | 52.64 |
| 12 | DL3810-12YM | 41.91 | 50.99 | 56.45 |

Material (材料)

Housing (胶壳): PBT UL94V-0

符合RoHS标准
RoHS compliance

DL38102-AM (DL3810-AM)



| Circuits (电路) | Product name (产品名称) | Dimensions (尺寸mm) | |
|------------------|------------------------|-------------------|-------|
| | | A | B |
| 2 | DL3810-2AM | 3.81 | 17.81 |
| 3 | DL3810-3AM | 7.62 | 21.62 |
| 4 | DL3810-4AM | 11.43 | 25.43 |
| 5 | DL3810-5AM | 15.24 | 29.24 |
| 6 | DL3810-6AM | 19.05 | 33.05 |
| 7 | DL3810-7AM | 22.86 | 36.86 |
| 8 | DL3810-8AM | 26.67 | 40.67 |
| 9 | DL3810-9AM | 30.48 | 44.48 |
| 10 | DL3810-10AM | 34.29 | 48.29 |
| 11 | DL3810-11AM | 38.10 | 52.10 |
| 12 | DL3810-12AM | 41.91 | 55.91 |

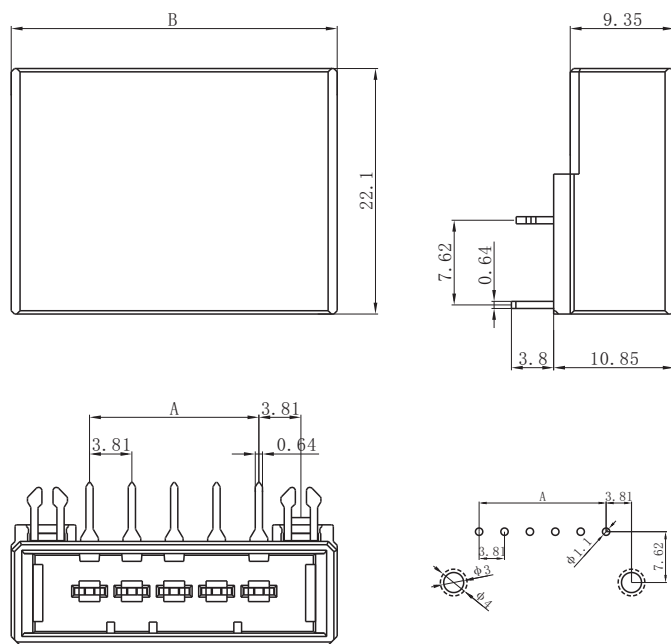
Material (材料)

Housing (胶壳): PBT UL94V-0

Wafer (接触件): Phosphor bronze (磷青铜) / Gold plated (镀金)

符合RoHS标准
RoHS compliance

DL38102-AWM (DL3810-AWM)



| Circuits (电路) | Product name (产品名称) | Dimensions (尺寸mm) | |
|------------------|------------------------|-------------------|-------|
| | | A | B |
| 2 | DL3810-2AWM | 3.81 | 17.81 |
| 3 | DL3810-3AWM | 7.62 | 21.62 |
| 4 | DL3810-4AWM | 11.43 | 25.43 |
| 5 | DL3810-5AWM | 15.24 | 29.24 |
| 6 | DL3810-6AWM | 19.05 | 33.05 |
| 7 | DL3810-7AWM | 22.86 | 36.86 |
| 8 | DL3810-8AWM | 26.67 | 40.67 |
| 9 | DL3810-9AWM | 30.48 | 44.48 |
| 10 | DL3810-10AWM | 34.29 | 48.29 |
| 11 | DL3810-11AWM | 38.10 | 52.10 |
| 12 | DL3810-12AWM | 41.91 | 55.91 |

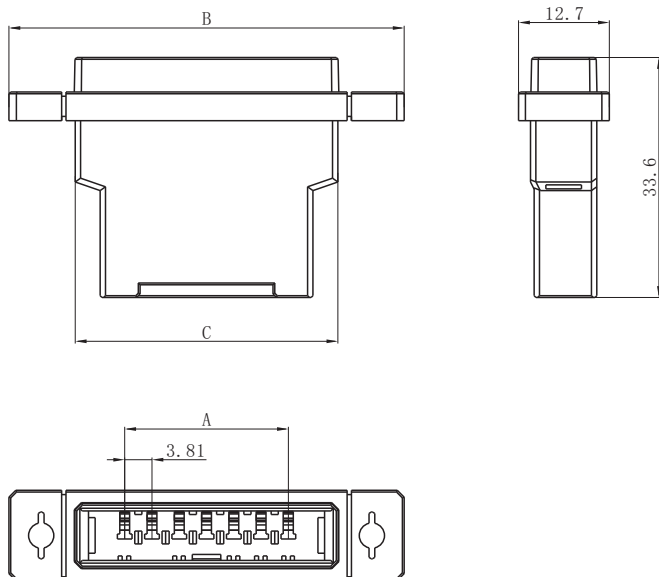
Material (材料)

Housing (胶壳): PBT UL94V-0

Wafer (接触件): Phosphor bronze (磷青铜) / Gold plated (镀金)

符合RoHS标准
RoHS compliance

DL38102-RM (DL3810-RM)



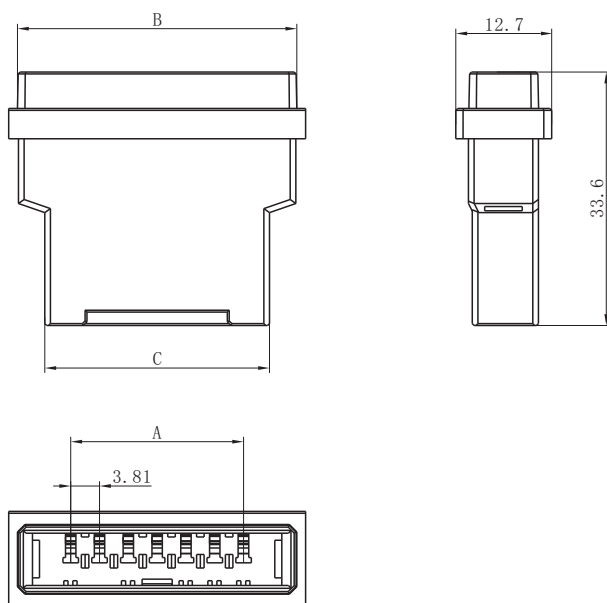
| Circuits (电路) | Product name (产品名称) | Dimensions (尺寸mm) | | |
|------------------|------------------------|-------------------|-------|-------|
| | | A | B | C |
| 2 | DL3810-2RM | 3.81 | 36.14 | 17.81 |
| 3 | DL3810-3RM | 7.62 | 39.95 | 21.62 |
| 4 | DL3810-4RM | 11.43 | 43.76 | 25.43 |
| 5 | DL3810-5RM | 15.24 | 47.57 | 29.24 |
| 6 | DL3810-6RM | 19.05 | 51.38 | 33.05 |
| 7 | DL3810-7RM | 22.86 | 55.19 | 36.86 |
| 8 | DL3810-8RM | 26.67 | 59.00 | 40.67 |
| 9 | DL3810-9RM | 30.48 | 62.81 | 44.48 |
| 10 | DL3810-10RM | 34.29 | 66.62 | 48.29 |
| 11 | DL3810-11RM | 38.10 | 70.43 | 52.10 |
| 12 | DL3810-12RM | 41.91 | 74.24 | 55.91 |

Material (材料)

Housing (胶壳): PBT UL94V-0

符合RoHS标准
RoHS compliance

DL38102-RFM (DL3810-RFM)



| Circuits (电路) | Product name (产品名称) | Dimensions (尺寸mm) | | |
|------------------|------------------------|-------------------|-------|-------|
| | | A | B | C |
| 2 | DL3810-2RFM | 3.81 | 17.81 | 10.67 |
| 3 | DL3810-3RFM | 7.62 | 21.62 | 14.48 |
| 4 | DL3810-4RFM | 11.43 | 25.43 | 18.29 |
| 5 | DL3810-5RFM | 15.24 | 29.24 | 22.10 |
| 6 | DL3810-6RFM | 19.05 | 33.05 | 25.91 |
| 7 | DL3810-7RFM | 22.86 | 36.86 | 29.72 |
| 8 | DL3810-8RFM | 26.67 | 40.67 | 33.53 |
| 9 | DL3810-9RFM | 30.48 | 44.48 | 37.34 |
| 10 | DL3810-10RFM | 34.29 | 48.29 | 41.15 |
| 11 | DL3810-11RFM | 38.10 | 52.10 | 44.96 |
| 12 | DL3810-12RFM | 41.91 | 55.91 | 48.77 |

Material (材料)

Housing (胶壳): PBT UL94V-0

符合RoHS标准
RoHS compliance