

Type HPBA Series

Key Features

- Robust professional design
- 5 duty cycles
- 3 Drive Input voltage designs
- 100% and 150% Braking Torque



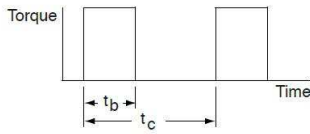
TE is pleased to introduce our new braking resistor assemblies, designed to increase the braking torque capability of a variable frequency drive.

This produces faster and more controlled braking for the drive and increases the braking torque of the drive system. Each braking assembly is assembled using heavy gauge galvanized steel with a wired terminal block and provisions for an optional thermostat. These assemblies are constructed with harsh environments in mind whilst maintaining a professional look.

Characteristics

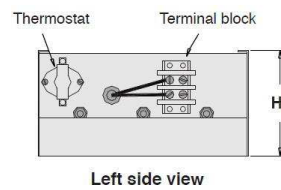
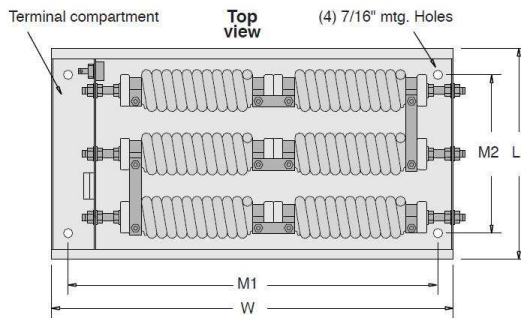
Feature	Characteristics		
Drive Horsepower	0.5 HP to 500 HP; voltage dependent		
Drive Input voltage	3 voltage designs: 230V, 460V, 575V		
Duty Cycle	5 duty cycles based on cycle time of one minute: 10%, 20%, 30%, 50%, 100%		
Resistance Tolerance	10%		
Braking Torque	100% and 150%		
Peak Braking Current	0.5 amps to 800 amps		
Maximum Braking Times	Duty Cycle	Overhauling Load	Deceleration Braking
	10%	6 Seconds	12 Seconds
	20%	12 Seconds	24 Seconds
	30%	18 Seconds	36 Seconds
	50%	30 Seconds	Continuous
100%	Continuous	Continuous	
Enclosure Material	Galvanized Steel std, Stainless steel hardware std,		
Thermostat	Optional		
Temperature rise	375°C at max rated duty cycle		

Duty Cycle



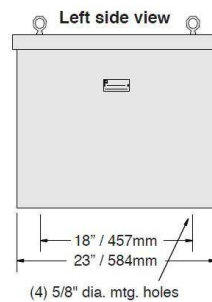
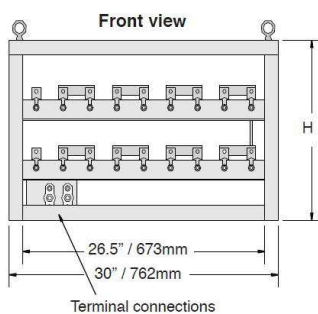
The duty cycle determines the power rating of the braking resistor. Duty cycle is calculated by dividing the braking stop time by the total cycle time as Duty Cycle: $\text{Duty Cycle} = \frac{t_b}{t_c} \times 100\%$. The duty cycle determines the power rating. Also, it is important to determine whether your application is an overhauling load cycle or a deceleration braking cycle (refer to the graphs for proper identification).

Standard Enclosures



Enclosure	W (mm)	L (mm)	H (mm)	M1 (mm)	M2 (mm)
1	305	127	127	267	-
2	305	178	127	267	114
3	305	254	127	267	191
4	305	330	127	267	267
5	305	406	127	267	343
6	483	254	127	445	191
7	483	330	127	445	267
8	673	254	127	635	191
9	483	406	127	445	343
10	673	330	127	635	267
11	673	406	127	635	343
12	711	254	254	673	191
13	711	330	254	673	267
14	711	406	254	673	343

High-Capacity Enclosures



Enclosure	H (MM)
HC1	254
HC2	406
HC3	610
HC4	813
HC5	1,016
HC6	1,219
HC7	1,422
HC8	1,626
HC9	1,829
HC10	2,032

230V Drive Voltage - 100% Braking Torque

H.P	Ω	10% Duty Cycle	Encl	20% Duty Cycle	Encl	30% Duty Cycle	Encl
0.5	375	HPBA005A375R010E	1	HPBA005A375R020E	1	HPBA005A375R030E	1
0.75	250	HPBA007A250R010E	1	HPBA007A250R020E	1	HPBA007A250R030E	1
1	190	HPBA010A190R010E	1	HPBA010A190R020E	1	HPBA010A190R030E	2
1.5	125	HPBA015A125R010E	1	HPBA015A125R020E	1	HPBA015A125R030E	2
2	95	HPBA020A95R010E	1	HPBA020A95R020E	2	HPBA020A95R030E	2
3	63	HPBA030A63R010E	1	HPBA030A63R020E	2	HPBA030A63R030E	3
5	38	HPBA050A38R010E	1	HPBA050A38R020E	3	HPBA050A38R030E	4
7.5	26	HPBA075A26R010E	2	HPBA075A26R020E	4	HPBA075A26R030E	6
10	19	HPBA100A19R010E	2	HPBA100A19R020E	5	HPBA100A19R030E	8
15	12.6	HPBA150A12R6010E	3	HPBA150A12R6020E	6	HPBA150A12R6030E	8
20	9.6	HPBA200A9R6010E	4	HPBA200A9R6020E	6	HPBA200A9R6030E	10
25	7.5	HPBA250A7R5010E	5	HPBA250A7R5020E	7	HPBA250A7R5030E	11
30	6.3	HPBA300A6R3010E	6	HPBA300A6R3020E	10	HPBA300A6R3030E	12
40	4.9	HPBA400A4R9010E	6	HPBA400A4R9020E	11	HPBA400A4R9030E	13
50	3.9	HPBA500A3R9010E	7	HPBA500A3R9020E	12	HPBA500A3R9030E	13
60	3.3	HPBA600A3R3010E	7	HPBA600A3R3020E	12	HPBA600A3R3030E	HC2
75	2.7	HPBA750A2R7010E	7	HPBA750A2R7020E	13	HPBA750A2R7030E	HC2
100	1.9	HPBA101A1R9010E	9	HPBA101A1R9020E	13	HPBA101A1R9030E	HC3
125	1.6	HPBA121A1R6010E	12	HPBA121A1R6020E	HC3	HPBA121A1R6030E	HC4
150	1.3	HPBA151A1R3010E	12	HPBA151A1R3020E	HC4	HPBA151A1R3030E	HC4
200	1	HPBA201A1R0010E	13	HPBA201A1R0020E	HC4	HPBA201A1R0030E	HC6
250	0.8	HPBA251A1R80010E	14	HPBA251A1R80020E	HC4	HPBA251A1R80030E	HC8

H.P	Ω	50% Duty Cycle	Encl	100% Duty Cycle	Encl
0.5	375	HPBA005A375R050E	1	HPBA005A375R100E	2
0.75	250	HPBA007A250R050E	2	HPBA007A250R100E	2
1	190	HPBA010A190R050E	2	HPBA010A190R100E	3
1.5	125	HPBA015A125R050E	3	HPBA015A125R100E	4
2	95	HPBA020A95R050E	3	HPBA020A95R100E	4
3	63	HPBA030A63R050E	4	HPBA030A63R100E	6
5	38	HPBA050A38R050E	7	HPBA050A38R100E	9
7.5	26	HPBA075A26R050E	10	HPBA075A26R100E	10
10	19	HPBA100A19R050E	10	HPBA100A19R100E	11
15	12.6	HPBA150A12R6050E	11	HPBA150A12R6100E	13
20	9.6	HPBA200A9R6050E	13	HPBA200A9R6100E	14
25	7.5	HPBA250A7R5050E	13	HPBA250A7R5100E	14
30	6.3	HPBA300A6R3050E	14	HPBA300A6R3100E	HC2
40	4.9	HPBA400A4R9050E	14	HPBA400A4R9100E	HC3
50	3.9	HPBA500A3R9050E	HC3	HPBA500A3R9100E	HC3
60	3.3	HPBA600A3R3050E	HC3	HPBA600A3R3100E	HC4
75	2.7	HPBA750A2R7050E	HC4	HPBA750A2R7100E	HC6
100	1.9	HPBA101A1R9050E	HC5	HPBA101A1R9100E	HC6
125	1.6	HPBA121A1R6050E	HC5	HPBA121A1R6100E	HC8
150	1.3	HPBA151A1R3050E	HC7	HPBA151A1R3100E	HC8
200	1	HPBA201A1R0050E	HC9	HPBA201A1R0100E	(2) HC6
250	0.8	HPBA251A1R80050E	HC9	HPBA251A1R80100E	(2) HC8

230V Drive Voltage - 150% Braking Torque

H.P	Ω	10% Duty Cycle	Encl	20% Duty Cycle	Encl	30% Duty Cycle	Encl
0.5	250	HPBA005B250R010E	1	HPBA005B250R020E	1	HPBA005B250R030E	1
0.8	170	HPBA007B170R010E	1	HPBA007B170R020E	1	HPBA007B170R030E	2
1	125	HPBA010B125R010E	1	HPBA010B125R020E	1	HPBA010B125R030E	2
1.5	85	HPBA015B85R010E	1	HPBA015B85R020E	2	HPBA015B85R030E	3
2	63	HPBA020B63R010E	1	HPBA020B63R020E	2	HPBA020B63R030E	3
3	42	HPBA030B42R010E	1	HPBA030B42R020E	3	HPBA030B42R030E	4
5	25	HPBA050B25R010E	2	HPBA050B25R020E	4	HPBA050B25R030E	6
7.5	16.8	HPBA075B16R8010E	2	HPBA075B16R8020E	6	HPBA075B16R8030E	8
10	12.6	HPBA100B12R6010E	3	HPBA100B12R6020E	6	HPBA100B12R6030E	8
15	8.4	HPBA150B8R4010E	5	HPBA150B8R4020E	7	HPBA150B8R4030E	11
20	6.3	HPBA200B6R3010E	6	HPBA200B6R3020E	10	HPBA200B6R3030E	12
25	5	HPBA250B5R0010E	6	HPBA250B5R0020E	11	HPBA250B5R0030E	13
30	4.2	HPBA300B4R2010E	7	HPBA300B4R2020E	11	HPBA300B4R2030E	13
40	3.2	HPBA400B3R2010E	7	HPBA400B3R2020E	12	HPBA400B3R2030E	HC2
50	2.5	HPBA500B2R5010E	7	HPBA500B2R5020E	14	HPBA500B2R5030E	HC2
60	2.1	HPBA600B2R1010E	9	HPBA600B2R1020E	14	HPBA600B2R1030E	HC3
75	1.7	HPBA750B1R7010E	10	HPBA750B1R7020E	HC3	HPBA750B1R7030E	HC4
100	1.3	HPBA101B1R3010E	12	HPBA101B1R3020E	HC3	HPBA101B1R3030E	HC4
125	1	HPBA121B1R0010E	13	HPBA121B1R0020E	HC3	HPBA121B1R0030E	HC5
150	0.85	HPBA151BR85010E	13	HPBA151BR85020E	HC4	HPBA151BR85030E	HC6
200	0.65	HPBA201BR65010E	HC2	HPBA201BR65020E	HC4	HPBA201BR65030E	HC8
250	0.5	HPBA251BR50010E	HC3	HPBA251BR50020E	HC5	HPBA251BR50030E	(2) HC5

H.P	Ω	50% Duty Cycle	Encl	100% Duty Cycle	Encl
0.5	375	HPBA005B250R050E	2	HPBA005B250R100E	2
0.75	250	HPBA007B170R050E	2	HPBA007B170R100E	3
1	190	HPBA010B125R050E	3	HPBA010B125R100E	4
1.5	125	HPBA015B85R050E	4	HPBA015B85R100E	5
2	95	HPBA020B63R050E	4	HPBA020B63R100E	6
3	63	HPBA030B42R050E	7	HPBA030B42R100E	8
5	38	HPBA050B25R050E	10	HPBA050B25R100E	10
7.5	26	HPBA075B16R8050E	10	HPBA075B16R8100E	11
10	19	HPBA100B12R6050E	11	HPBA100B12R6100E	13
15	12.6	HPBA150B8R4050E	13	HPBA150B8R4100E	14
20	9.6	HPBA200B6R3050E	14	HPBA200B6R3100E	HC2
25	7.5	HPBA250B5R0050E	HC2	HPBA250B5R0100E	HC3
30	6.3	HPBA300B4R2050E	HC3	HPBA300B4R2100E	HC3
40	4.9	HPBA400B3R2050E	HC3	HPBA400B3R2100E	HC4
50	3.9	HPBA500B2R5050E	HC3	HPBA500B2R5100E	HC7
60	3.3	HPBA600B2R1050E	HC5	HPBA600B2R1100E	HC7
75	2.7	HPBA750B1R7050E	HC5	HPBA750B1R7100E	HC9
100	1.9	HPBA101B1R3050E	HC7	HPBA101B1R3100E	HC9
125	1.6	HPBA121B1R0050E	HC7	HPBA121B1R0100E	(2) HC6
150	1.3	HPBA151BR85050E	(2) HC5	HPBA151BR85100E	(2) HC8
200	1	HPBA201BR65050E	(2) HC7	HPBA201BR65100E	(2) HC8
250	0.8	HPBA251BR50050E	(2) HC7	HPBA251BR50100E	(3) HC8

460V Drive Voltage - 100% Braking Torque

H.P	Ω	10% Duty Cycle	Encl	20% Duty Cycle	Encl	30% Duty Cycle	Encl
0.5	1K5	HPBA005C1K5010E	1	HPBA005C1K5020E	1	HPBA005C1K5030E	1
0.75	1K0	HPBA007C1K0010E	1	HPBA007C1K0020E	1	HPBA007C1K0030E	1
1	750	HPBA010C750R010E	1	HPBA010C750R020E	1	HPBA010C750R030E	1
1.5	500	HPBA015C500R010E	1	HPBA015C500R020E	1	HPBA015C500R030E	2
2	375	HPBA020C375R010E	1	HPBA020C375R020E	2	HPBA020C375R030E	3
3	250	HPBA030C250R010E	1	HPBA030C250R020E	2	HPBA030C250R030E	4
5	150	HPBA050C150R010E	2	HPBA050C150R020E	3	HPBA050C150R030E	5
7.5	100	HPBA075C100R010E	2	HPBA075C100R020E	4	HPBA075C100R030E	6
10	75	HPBA100C75R010E	2	HPBA100C75R020E	5	HPBA100C75R030E	7
15	50	HPBA150C50R010E	3	HPBA150C50R020E	7	HPBA150C50R030E	10
20	38	HPBA200C38R010E	4	HPBA200C38R020E	9	HPBA200C38R030E	12
25	30	HPBA250C30R010E	5	HPBA250C30R020E	10	HPBA250C30R030E	12
30	25	HPBA300C25R010E	6	HPBA300C25R020E	10	HPBA300C25R030E	12
40	19	HPBA400C19R010E	7	HPBA400C19R020E	11	HPBA400C19R030E	13
50	15	HPBA500C15R010E	7	HPBA500C15R020E	12	HPBA500C15R030E	14
60	12.6	HPBA600C12R6010E	7	HPBA600C12R6020E	13	HPBA600C12R6030E	HC2
75	10	HPBA750C10R010E	8	HPBA750C10R020E	14	HPBA750C10R030E	HC3
100	7.5	HPBA101C7R5010E	11	HPBA101C7R5020E	14	HPBA101C7R5030E	HC3
125	6	HPBA121C6R0010E	12	HPBA121C6R0020E	HC3	HPBA121C6R0030E	HC4
150	5	HPBA151C5R0010E	12	HPBA151C5R0020E	HC3	HPBA151C5R0030E	HC4
200	3.8	HPBA201C3R8010E	13	HPBA201C3R8020E	HC3	HPBA201C3R8030E	HC6
250	3	HPBA251C3R0010E	14	HPBA251C3R0020E	HC4	HPBA251C3R0030E	HC8
300	2.5	HPBA301C2R5010E	14	HPBA301C2R5020E	HC4	HPBA301C2R5030E	HC8
350	2.2	HPBA351C2R2010E	14	HPBA351C2R2020E	HC6	HPBA351C2R2030E	HC8
400	1.9	HPBA401C1R9010E	HC3	HPBA401C1R9020E	HC6	HPBA401C1R9030E	HC9
500	1.5	HPBA501C1R5010E	HC4	HPBA501C1R5020E	HC8	HPBA501C1R5030E	HC9

H.P	Ω	50% Duty Cycle	Encl	100% Duty Cycle	Encl
0.5	1K5	HPBA005C1K5050E	1	HPBA005C1K5100E	1
0.75	1K0	HPBA007C1K0050E	1	HPBA007C1K0100E	2
1	750	HPBA010C750R050E	2	HPBA010C750R100E	3
1.5	500	HPBA015C500R050E	3	HPBA015C500R100E	4
2	375	HPBA020C375R050E	4	HPBA020C375R100E	6
3	250	HPBA030C250R050E	5	HPBA030C250R100E	7
5	150	HPBA050C150R050E	7	HPBA050C150R100E	9
7.5	100	HPBA075C100R050E	9	HPBA075C100R100E	11
10	75	HPBA100C75R050E	11	HPBA100C75R100E	12
15	50	HPBA150C50R050E	13	HPBA150C50R100E	13
20	38	HPBA200C38R050E	13	HPBA200C38R100E	14
25	30	HPBA250C30R050E	14	HPBA250C30R100E	HC2
30	25	HPBA300C25R050E	14	HPBA300C25R100E	HC3
40	19	HPBA400C19R050E	HC3	HPBA400C19R100E	HC3
50	15	HPBA500C15R050E	HC3	HPBA500C15R100E	HC4
60	12.6	HPBA600C12R6050E	HC3	HPBA600C12R6100E	HC4
75	10	HPBA750C10R050E	HC4	HPBA750C10R100E	HC6
100	7.5	HPBA101C7R5050E	HC4	HPBA101C7R5100E	HC6
125	6	HPBA121C6R0050E	HC4	HPBA121C6R0100E	HC8
150	5	HPBA151C5R0050E	HC6	HPBA151C5R0100E	HC8
200	3.8	HPBA201C3R8050E	HC9	HPBA201C3R8100E	(2) HC6
250	3	HPBA251C3R0050E	HC9	HPBA251C3R0100E	(2) HC8
300	2.5	HPBA301C2R5050E	(2) HC7	HPBA301C2R5100E	(2) HC8
350	2.2	HPBA351C2R2050E	(2) HC7	HPBA351C2R2100E	(3) HC8
400	1.9	HPBA401C1R9050E	(3) HC7	HPBA401C1R9100E	(3) HC8
500	1.5	HPBA501C1R5050E	(3) HC7	HPBA501C1R5100E	(4) HC8

460V Drive Voltage - 150% Braking Torque

H.P	Ω	10% Duty Cycle	Encl	20% Duty Cycle	Encl	30% Duty Cycle	Encl
0.5	1K0	HPBA005D1K0010E	1	HPBA005D1K0020E	1	HPBA005D1K0030E	1
0.8	675	HPBA007D675R010E	1	HPBA007D675R020E	1	HPBA007D675R030E	1
1	500	HPBA010D500R010E	1	HPBA010D500R020E	1	HPBA010D500R030E	2
1.5	335	HPBA015D335R010E	1	HPBA015D335R020E	2	HPBA015D335R030E	3
2	250	HPBA020D250R010E	1	HPBA020D250R020E	2	HPBA020D250R030E	4
3	170	HPBA030D170R010E	1	HPBA030D170R020E	3	HPBA030D170R030E	5
5	100	HPBA050D100R010E	2	HPBA050D100R020E	4	HPBA050D100R030E	7
7.5	67	HPBA075D67R010E	3	HPBA075D67R020E	6	HPBA075D67R030E	9
10	50	HPBA100D50R010E	3	HPBA100D50R020E	7	HPBA100D50R030E	10
15	34	HPBA150D34R010E	4	HPBA150D34R020E	10	HPBA150D34R030E	12
20	25	HPBA200D25R010E	6	HPBA200D25R020E	10	HPBA200D25R030E	12
25	20	HPBA250D20R010E	7	HPBA250D20R020E	11	HPBA250D20R030E	13
30	17	HPBA300D17R010E	8	HPBA300D17R020E	11	HPBA300D17R030E	14
40	12.6	HPBA400D12R6010E	8	HPBA400D12R6020E	13	HPBA400D12R6030E	HC2
50	10	HPBA500D10R010E	8	HPBA500D10R020E	14	HPBA500D10R030E	HC3
60	8.4	HPBA600D8R4010E	11	HPBA600D8R4020E	14	HPBA600D8R4030E	HC3
75	6.7	HPBA750D6R7010E	11	HPBA750D6R7020E	HC2	HPBA750D6R7030E	HC4
100	5	HPBA101D5R0010E	12	HPBA101D5R0020E	HC3	HPBA101D5R0030E	HC4
125	4	HPBA121D4R010E	13	HPBA121D4R020E	HC3	HPBA121D4R030E	HC5
150	3.4	HPBA151D3R4010E	13	HPBA151D3R4020E	HC4	HPBA151D3R4030E	HC6
200	2.5	HPBA201D2R5010E	14	HPBA201D2R5020E	HC6	HPBA201D2R5030E	HC8
250	2	HPBA251D2R0010E	HC3	HPBA251D2R0020E	HC6	HPBA251D2R0030E	(2) HC5
300	1.7	HPBA301D1R7010E	HC3	HPBA301D1R7020E	HC6	HPBA301D1R7030E	(2) HC5
350	1.5	HPBA351D1R5010E	HC4	HPBA351D1R5020E	HC8	HPBA351D1R5030E	(2) HC8
400	1.3	HPBA401D1R3010E	HC4	HPBA401D1R3020E	HC8	HPBA401D1R3030E	(2) HC8
500	1	HPBA501D1R0010E	HC5	HPBA501D1R0020E	(2) HC6	HPBA501D1R0030E	(2) HC7

H.P	Ω	50% Duty Cycle	Encl	100% Duty Cycle	Encl
0.5	1K0	HPBA005D1K0050E	1	HPBA005D1K0100E	2
0.8	675	HPBA007D675R050E	2	HPBA007D675R100E	3
1	500	HPBA010D500R050E	2	HPBA010D500R100E	4
1.5	335	HPBA015D335R050E	4	HPBA015D335R100E	6
2	250	HPBA020D250R050E	5	HPBA020D250R100E	7
3	170	HPBA030D170R050E	7	HPBA030D170R100E	8
5	100	HPBA050D100R050E	9	HPBA050D100R100E	11
7.5	67	HPBA075D67R050E	11	HPBA075D67R100E	13
10	50	HPBA100D50R050E	13	HPBA100D50R100E	13
15	34	HPBA150D34R050E	13	HPBA150D34R100E	14
20	25	HPBA200D25R050E	14	HPBA200D25R100E	HC3
25	20	HPBA250D20R050E	HC2	HPBA250D20R100E	HC3
30	17	HPBA300D17R050E	HC3	HPBA300D17R100E	HC3
40	12.6	HPBA400D12R6050E	HC3	HPBA400D12R6100E	HC4
50	10	HPBA500D10R050E	HC4	HPBA500D10R100E	HC6
60	8.4	HPBA600D8R4050E	HC5	HPBA600D8R4100E	HC6
75	6.7	HPBA750D6R7050E	HC5	HPBA750D6R7100E	HC8
100	5	HPBA101D5R0050E	HC8	HPBA101D5R0100E	(2) HC6
125	4	HPBA121D4R050E	(2) HC5	HPBA121D4R100E	(2) HC6
150	3.4	HPBA151D3R4050E	(2) HC5	HPBA151D3R4100E	(2) HC8
200	2.5	HPBA201D2R5050E	(2) HC6	HPBA201D2R5100E	(2) HC8
250	2	HPBA251D2R0050E	(2) HC6	HPBA251D2R0100E	(3) HC8
300	1.7	HPBA301D1R7050E	(2) HC7	HPBA301D1R7100E	(4) HC8
350	1.5	HPBA351D1R5050E	(2) HC9	HPBA351D1R5100E	(4) HC9
400	1.3	HPBA401D1R3050E	(2) HC8	HPBA401D1R3100E	(4) HC9
500	1	HPBA501D1R0050E	(2) HC8	HPBA501D1R0100E	(5) HC9



575V Drive Voltage - 100% Braking Torque

H.P	Ω	10% Duty Cycle	Encl	20% Duty Cycle	Encl	30% Duty Cycle	Encl
0.5	2K0	HPBA005E2K0010E	1	HPBA005E2K0020E	1	HPBA005E2K0030E	1
0.75	1K5	HPBA007E1K5010E	1	HPBA007E1K5020E	1	HPBA007E1K5030E	1
1	1K2	HPBA010E1K2010E	1	HPBA010E1K2020E	1	HPBA010E1K2030E	1
1.5	800	HPBA015E800R010E	1	HPBA015E800R020E	1	HPBA015E800R030E	2
2	575	HPBA020E575R010E	1	HPBA020E575R020E	1	HPBA020E575R030E	2
3	400	HPBA030E400R010E	1	HPBA030E400R020E	2	HPBA030E400R030E	4
5	235	HPBA050E235R010E	1	HPBA050E235R020E	3	HPBA050E235R030E	5
7.5	150	HPBA075E150R010E	2	HPBA075E150R020E	4	HPBA075E150R030E	6
10	120	HPBA100E120R010E	3	HPBA100E120R020E	5	HPBA100E120R030E	7
15	78	HPBA150E78R010E	3	HPBA150E78R020E	7	HPBA150E78R030E	11
20	59	HPBA200E59R010E	4	HPBA200E59R020E	9	HPBA200E59R030E	12
25	47	HPBA250E47R010E	5	HPBA250E47R020E	10	HPBA250E47R030E	13
30	39	HPBA300E39R010E	6	HPBA300E39R020E	11	HPBA300E39R030E	13
40	29	HPBA400E29R010E	7	HPBA400E29R020E	11	HPBA400E29R030E	14
50	23	HPBA500E23R010E	8	HPBA500E23R020E	12	HPBA500E23R030E	14
60	20	HPBA600E20R010E	10	HPBA600E20R020E	13	HPBA600E20R030E	HC2
75	15.6	HPBA750E15R6010E	10	HPBA750E15R6020E	14	HPBA750E15R6030E	HC3
100	11.7	HPBA101E11R7010E	11	HPBA101E11R7020E	HC2	HPBA101E11R7030E	HC3
125	9.3	HPBA121E9R3010E	12	HPBA121E9R3020E	HC2	HPBA121E9R3030E	HC4
150	7.8	HPBA151E7R8010E	12	HPBA151E7R8020E	HC3	HPBA151E7R8030E	HC4
200	5.9	HPBA201E5R9010E	13	HPBA201E5R9020E	HC3	HPBA201E5R9030E	HC4
250	4.7	HPBA251E4R7010E	13	HPBA251E4R7020E	HC3	HPBA251E4R7030E	HC6

H.P	Ω	50% Duty Cycle	Encl	100% Duty Cycle	Encl
0.5	2K0	HPBA005E2K0050E	1	HPBA005E2K0100E	1
0.75	1K5	HPBA007E1K5050E	1	HPBA007E1K5100E	2
1	1K2	HPBA010E1K2050E	2	HPBA010E1K2100E	3
1.5	800	HPBA015E800R050E	2	HPBA015E800R100E	4
2	575	HPBA020E575R050E	3	HPBA020E575R100E	6
3	400	HPBA030E400R050E	5	HPBA030E400R100E	7
5	235	HPBA050E235R050E	7	HPBA050E235R100E	9
7.5	150	HPBA075E150R050E	9	HPBA075E150R100E	11
10	120	HPBA100E120R050E	11	HPBA100E120R100E	13
15	78	HPBA150E78R050E	13	HPBA150E78R100E	14
20	59	HPBA200E59R050E	14	HPBA200E59R100E	14
25	47	HPBA250E47R050E	14	HPBA250E47R100E	HC2
30	39	HPBA300E39R050E	14	HPBA300E39R100E	HC3
40	29	HPBA400E29R050E	HC3	HPBA400E29R100E	HC3
50	23	HPBA500E23R050E	HC3	HPBA500E23R100E	HC4
60	20	HPBA600E20R050E	HC4	HPBA600E20R100E	HC5
75	15.6	HPBA750E15R6050E	HC4	HPBA750E15R6100E	HC5
100	11.7	HPBA101E11R7050E	HC4	HPBA101E11R7100E	HC7
125	9.3	HPBA121E9R3050E	HC6	HPBA121E9R3100E	HC8
150	7.8	HPBA151E7R8050E	HC6	HPBA151E7R8100E	(2) HC5
200	5.9	HPBA201E5R9050E	HC9	HPBA201E5R9100E	(2) HC7
250	4.7	HPBA251E4R7050E	(2) HC6	HPBA251E4R7100E	(2) HC8

575V Drive Voltage - 150% Braking Torque

H.P	Ω	10% Duty Cycle	Encl	20% Duty Cycle	Encl	30% Duty Cycle	Encl
0.5	1500	HPBA005F1K5010E	1	HPBA005F1K5020E	1	HPBA005F1K5030E	1
0.75	1000	HPBA007F1K0010E	1	HPBA007F1K0020E	1	HPBA007F1K0030E	1
1	800	HPBA010F800R010E	1	HPBA010F800R020E	1	HPBA010F800R030E	2
1.5	525	HPBA015F525R010E	1	HPBA015F525R020E	2	HPBA015F525R030E	2
2	400	HPBA020F400R010E	1	HPBA020F400R020E	2	HPBA020F400R030E	4

575V Drive Voltage - 150% Braking Torque (continued)

H.P	Ω	10% Duty Cycle	Encl	20% Duty Cycle	Encl	30% Duty Cycle	Encl
3	260	HPBA030F260R010E	1	HPBA030F260R020E	3	HPBA030F260R030E	6
5	160	HPBA050F160R010E	2	HPBA050F160R020E	4	HPBA050F160R030E	7
7.5	100	HPBA075F100R010E	3	HPBA075F100R020E	6	HPBA075F100R030E	8
10	80	HPBA100F80R010E	3	HPBA100F80R020E	7	HPBA100F80R030E	11
15	52	HPBA150F52R010E	4	HPBA150F52R020E	10	HPBA150F52R030E	12
20	39	HPBA200F39R010E	6	HPBA200F39R020E	11	HPBA200F39R030E	12
25	32	HPBA250F32R010E	7	HPBA250F32R020E	11	HPBA250F32R030E	13
30	26	HPBA300F26R010E	8	HPBA300F26R020E	12	HPBA300F26R030E	14
40	20	HPBA400F20R010E	10	HPBA400F20R020E	13	HPBA400F20R030E	HC2
50	16	HPBA500F16R010E	10	HPBA500F16R020E	14	HPBA500F16R030E	HC3
60	13	HPBA600F13R010E	10	HPBA600F13R020E	14	HPBA600F13R030E	HC3
100	7.8	HPBA101F7R8010E	12	HPBA101F7R8020E	HC3	HPBA101F7R8030E	HC4
125	6.3	HPBA121F6R3010E	13	HPBA121F6R3020E	HC3	HPBA121F6R3030E	HC5
150	5.2	HPBA151F5R2010E	14	HPBA151F5R2020E	HC4	HPBA151F5R2030E	HC6
200	3.9	HPBA201F3R9010E	14	HPBA201F3R9020E	HC5	HPBA201F3R9030E	HC9
250	3.2	HPBA251F3R2010E	14	HPBA251F3R2020E	HC5	HPBA251F3R2030E	HC9

H.P	Ω	50% Duty Cycle	Encl	100% Duty Cycle	Encl
0.5	1500	HPBA005F1K5050E	1	HPBA005F1K5100E	2
0.75	1000	HPBA007F1K0050E	2	HPBA007F1K0100E	3
1	800	HPBA010F800R050E	2	HPBA010F800R100E	4
1.5	525	HPBA015F525R050E	4	HPBA015F525R100E	6
2	400	HPBA020F400R050E	6	HPBA020F400R100E	8
3	260	HPBA030F260R050E	7	HPBA030F260R100E	9
5	160	HPBA050F160R050E	10	HPBA050F160R100E	11
7.5	100	HPBA075F100R050E	12	HPBA075F100R100E	13
10	80	HPBA100F80R050E	13	HPBA100F80R100E	14
15	52	HPBA150F52R050E	14	HPBA150F52R100E	14
20	39	HPBA200F39R050E	14	HPBA200F39R100E	HC3
25	32	HPBA250F32R050E	HC2	HPBA250F32R100E	HC4
30	26	HPBA300F26R050E	HC3	HPBA300F26R100E	HC4
40	20	HPBA400F20R050E	HC3	HPBA400F20R100E	HC5
50	16	HPBA500F16R050E	HC4	HPBA500F16R100E	HC5
60	13	HPBA600F13R050E	HC4	HPBA600F13R100E	HC5
100	7.8	HPBA101F7R8050E	HC6	HPBA101F7R8100E	(2) HC5
125	6.3	HPBA121F6R3050E	HC8	HPBA121F6R3100E	(2) HC6
150	5.2	HPBA151F5R2050E	(2) HC6	HPBA151F5R2100E	(2) HC7
200	3.9	HPBA201F3R9050E	(2) HC6	HPBA201F3R9100E	(2) HC9
250	3.2	HPBA251F3R2050E	(2) HC8	HPBA251F3R2100E	(3) HC7

How To Order

HPBA	005	A	375R	010	E
Common Part	Horsepower	Braking Torque and Voltage	Resistance Value	Duty Cycle	Option
HPBA – Braking Resistor Assembly	005 – 0.5HP 007 – 0.75HP 010 – 1 HP 020 – 2HP 200 – 20HP 201 – 200HP	A = 100% / 230V B = 150% / 230V C = 100% / 460V D = 150% / 460V E = 100% / 575V F = 150% / 575V	0.8Ω = R80 1.3Ω = 1R3 1.0Ω = 1R0 26Ω = 26R 375Ω = 375R	010 – 10% 020 – 20% 030 – 30% 050 – 50% 100 – 100%	E – Standard T – Thermostat fitted