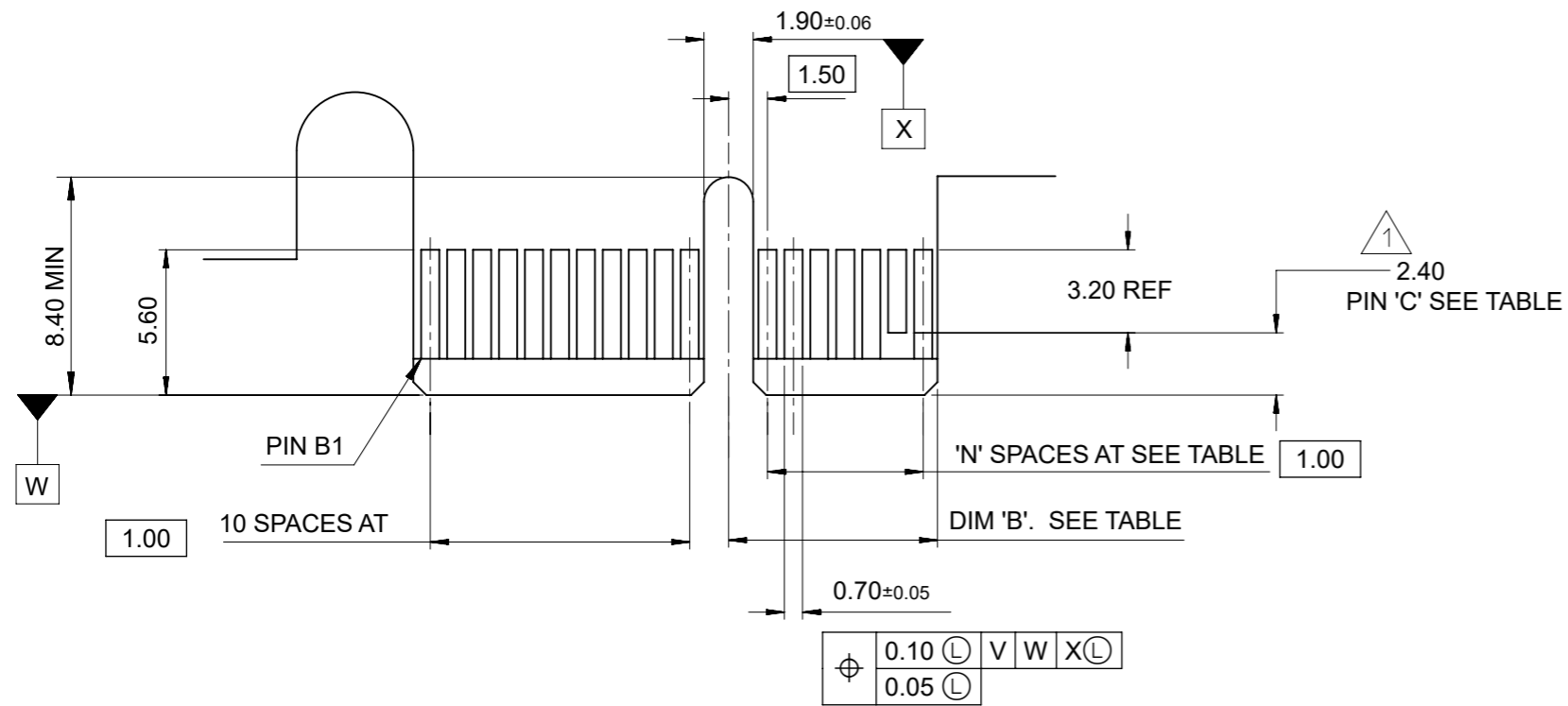


△ THE HORIZONTAL AXIS FOR THE HOLE PATTERN IS ESTABLISHED BY A LINE THROUGH THE CENTER OF THE TWO $\varnothing 2.35$ HOLES. THE VERTICAL AXIS IS 90° TO THE HORIZONTAL AXIS. THROUGH THE CENTER OF DATUM Z

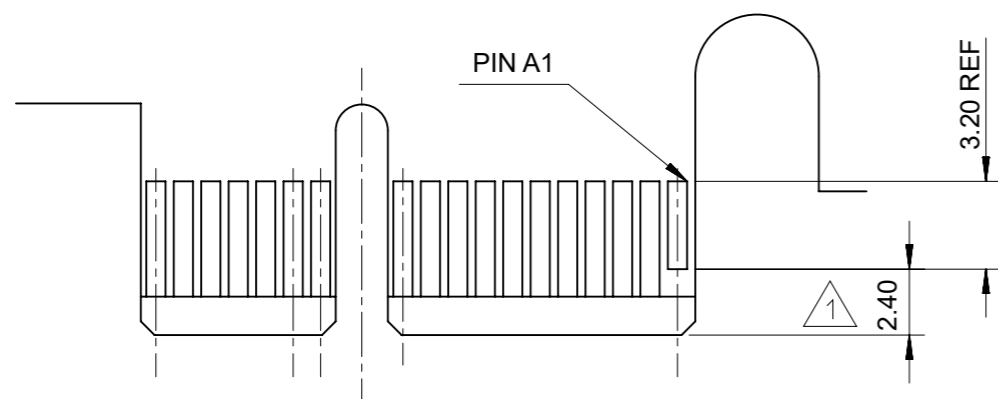
CONNECTOR LINK WIDTH	# POS REF	N	DIM 'A'
X1	36	6	9.15
X16	164	70	73.15

THIS DRAWING CONTAINS INFORMATION THAT IS PROPRIETARY TO MOLEX ELECTRONIC TECHNOLOGIES, LLC AND SHOULD NOT BE USED WITHOUT WRITTEN PERMISSION									
DIMENSION UNITS		SCALE		CURRENT REV DESC: OBSOLETE PART NUMBERS AS PER PCN 508518				molex	
mm		NTS							
GENERAL TOLERANCES (UNLESS SPECIFIED)				EC NO: 671087		PCI EXPRESS		EDGE CARD CONNECTOR (LEAD FREE VERSION)	
				DRWN: RPRABHUM		2021/08/07			
				CHK'D: GGA		2021/08/06			
				APPR: GGA		2021/08/06		PRODUCT CUSTOMER DRAWING	
				INITIAL REVISION:		DOCUMENT NUMBER		DOC TYPE DOC PART REVISION	
				DRWN: DAVID HU		SD-87715-901		PSD 001 G	
				APPR: JENNY CHEN		2007/05/14			
ANGULAR TOL ± 3.0°				DRAFT WHERE APPLICABLE MUST REMAIN WITHIN DIMENSIONS		THIRD ANGLE PROJECTION		DRAWING	
						A3-SIZE		SERIES	
						87715		MATERIAL NUMBER	
						SEE TABLE		CUSTOMER	
						GENERAL MARKET		SHEET NUMBER	
						2 OF 4			



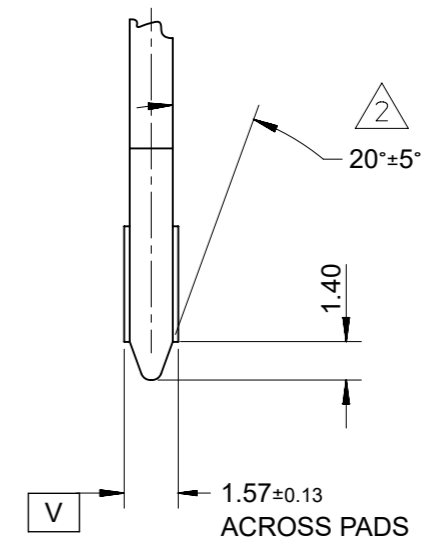
← I/O PANEL DIRECTION

PRIMARY (COMPONENT) SIDE



I/O PANEL DIRECTION →

SECONDARY (SOLDER) SIDE



1 NO TIE BAR PERMITTED FROM CARD EDGE TO LEADING EDGE OF PAD FOR PINS A1 AND "C".

2 CHAMFER EDGES MUST BE FREE OF CUTTING BURRS.


3 TOLERANCE: .XX±.13

CONNECTOR LINK WIDTH	# POS REF	N	DIM 'B'	'C' 1
X1	36	6	8.15	B17
X16	164	70	72.15	B17, B31 B48, B81

THIS DRAWING CONTAINS INFORMATION THAT IS PROPRIETARY TO MOLEX ELECTRONIC TECHNOLOGIES, LLC AND SHOULD NOT BE USED WITHOUT WRITTEN PERMISSION									
DIMENSION UNITS mm		SCALE NTS		CURRENT REV DESC: OBSOLETE PART NUMBERS AS PER PCN 508518					
GENERAL TOLERANCES (UNLESS SPECIFIED)				<p style="text-align: center;">molex</p> <p style="text-align: center;">PCI EXPRESS EDGE CARD CONNECTOR (LEAD FREE VERSION)</p> <p style="text-align: center;">PRODUCT CUSTOMER DRAWING</p>					
		MM INCH							
4 PLACES	±	±							
3 PLACES	±	±							
2 PLACES	±	0.25	±						
1 PLACE	±	0.25	±	EC NO: 671087		DRWN: RPRABHUM 2021/06/07		CHK'D: GGA 2021/08/06	
0 PLACES	±	±		APPR: GGA 2021/08/06		INITIAL REVISION:		DOCUMENT NUMBER	
ANGULAR TOL ± 3.0°				DRWN: DAVID HU 2007/05/14		APPR: JENNY CHEN 2007/05/14		SD-87715-901	
DRAFT WHERE APPLICABLE MUST REMAIN WITHIN DIMENSIONS		THIRD ANGLE PROJECTION		DRAWING A3-SIZE		SERIES 87715		MATERIAL NUMBER SEE TABLE	
				CUSTOMER GENERAL MARKET		SHEET NUMBER 3 OF 4			

MOLEX P/N	CIRCUIT SIZE	HOUSING MATERIAL	HOUSING COLOR	TERMINAL MATERIAL	CONTACT PLATING	SOLDER TAIL "D" LENGTH	PEG 1	PEG 2	DESCRIPTION	PACKAGING
87715-9002	36	NYLON46	BLACK	PHOSPHOR BRONZE	15 MICROINCH	2.54	WITH	WITH	TOOLED	TRAY
87715-9005					15 MICROINCH	3.00				
87715-9006					30 MICROINCH	2.54				

MOLEX P/N	CIRCUIT SIZE	HOUSING MATERIAL	HOUSING COLOR	TERMINAL MATERIAL	CONTACT PLATING	SOLDER TAIL "D" LENGTH	PEG 1	PEG 2	DESCRIPTION	PACKAGING
87715-9302	164	NYLON46	BLACK	PHOSPHOR BRONZE	15 MICROINCH	2.54	WITH	WITH	TOOLED	TRAY
87715-9305					15 MICROINCH	3.00				
87715-9306					30 MICROINCH	2.54				

THIS DRAWING CONTAINS INFORMATION THAT IS PROPRIETARY TO MOLEX ELECTRONIC TECHNOLOGIES, LLC AND SHOULD NOT BE USED WITHOUT WRITTEN PERMISSION											
DIMENSION UNITS		SCALE		CURRENT REV DESC: OBSOLETE PART NUMBERS AS PER PCN 508518							
mm		NTS		 PCI EXPRESS EDGE CARD CONNECTOR (LEAD FREE VERSION)							
GENERAL TOLERANCES (UNLESS SPECIFIED)											
				EC NO: 671087 DRWN: RPRABHUM 2021/06/07 CHK'D: GGA 2021/08/06 APPR: GGA 2021/08/06 INITIAL REVISION: DRWN: DAVID HU 2007/05/14 APPR: JENNY CHEN 2007/05/14							
4 PLACES ±		±									
3 PLACES ±		±									
2 PLACES ±		0.25 ±									
1 PLACE ±		0.25 ±		DOCUMENT NUMBER				DOC TYPE		DOC PART REVISION	
0 PLACES ±		±		SD-87715-901				PSD		001 G	
ANGULAR TOL ±		3.0°		DRAFT WHERE APPLICABLE MUST REMAIN WITHIN DIMENSIONS				THIRD ANGLE PROJECTION		DRAWING	
				A3-SIZE				SERIES		SHEET NUMBER	
				87715				MATERIAL NUMBER		CUSTOMER	
				SEE TABLE				GENERAL MARKET		4 OF 4	

DOCUMENT STATUS	P1	RELEASE DATE	2021/08/06	10:26:02
-----------------	----	--------------	------------	----------