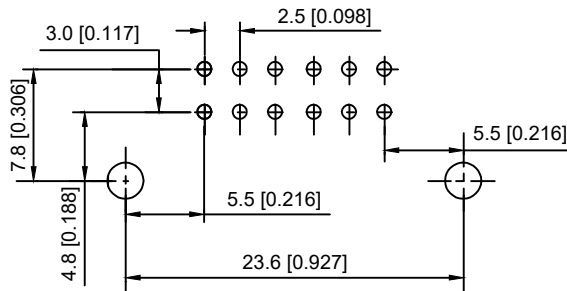
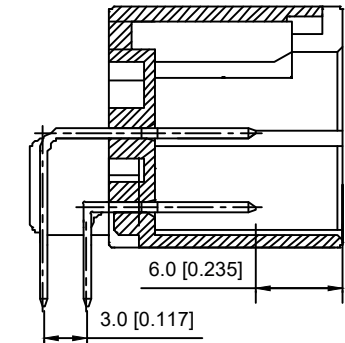
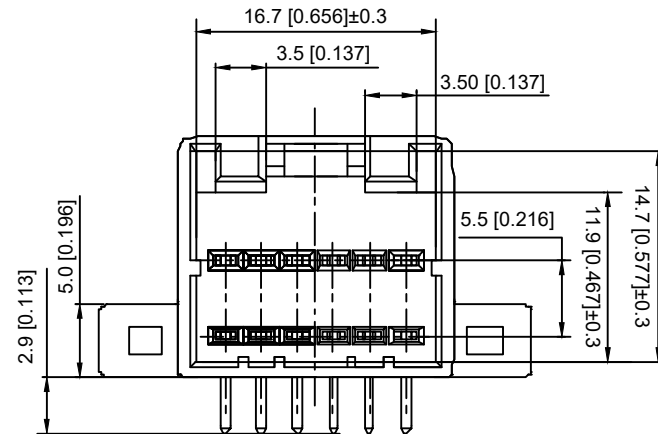
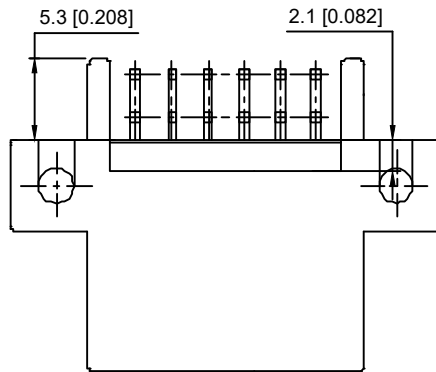


Current rating: 3A AC/DC  
 额定电流: 3A AC/DC  
 Temperature range: -40°C~+125°C  
 温度范围: -40°C~+125°C

K 174051 W R - 2xXX - PT SN  
 ① ② ③ ④ ⑤ ⑥ ⑦

- 1.K: XKBTEK-Car Connector
- 2.XKB Series No
- 3.Category:W-Wafer
- 4.Welding Board Angle:R-Stright 90°
- 5.Row No.Pin No:2xXX-2x06 Pin
- 6.Material:PT-PBT
- 7.Palting:SN-Plated Tin



K174051WR-2xXX-PTS	PBT	Brass	K174051H
PART NO	Material	Material(Pin)	Suitable XKB Housing

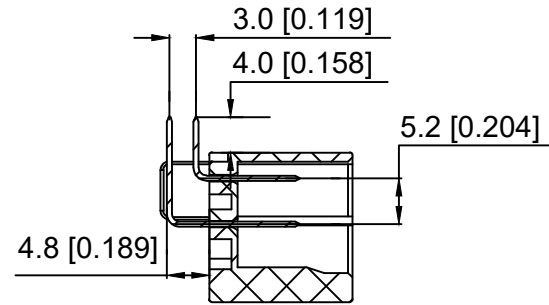
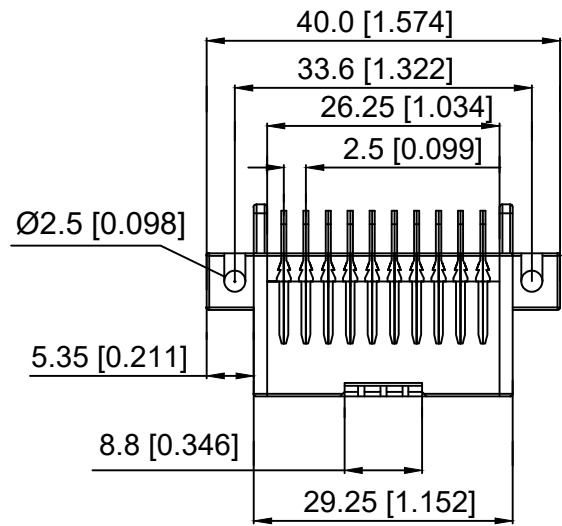
DSND	SCALE: N/A	MODEL TYPE: 2.5mm Automobile connector
DWN	VIEW:	PART NO.: K174051WR-2xXX-PTS
CHKD	UNIT: mm/in	DWG NO.:
APPD	SIZE: A4	X-K174051WR-2xXX-PTS

WEIGHT	SHEET	REVISION
	1/1	A0

					ANGLAR	±5°
ΔX					L ≤ 4	±0.2
ΔX					4 < L ≤ 16	±0.3
ΔX					16 < L ≤ 63	±0.4
MARK					L > 63	±0.5
REVISIONS					UNSPECIFIED TOLERANCES	
www.helloxkb.com www.helloxkb.cn www.xk-dg.cn						



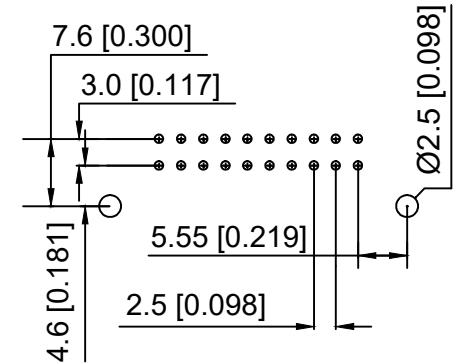
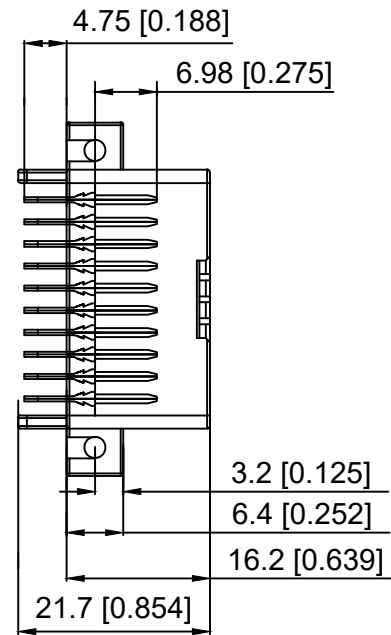
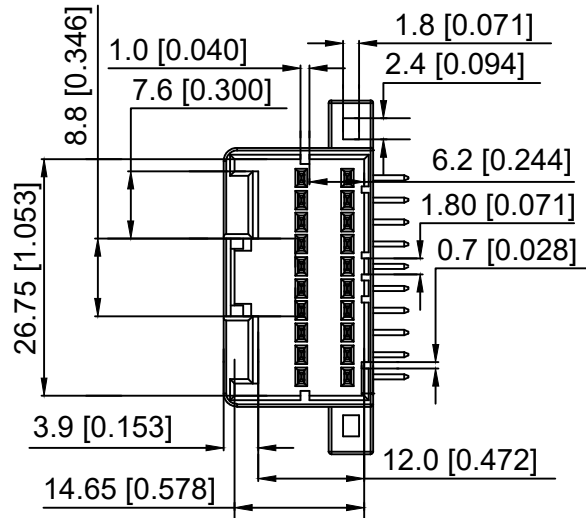
XKB INDUSTRIAL PRECISION CO., LIMITED



Current rating: 3A AC/DC  
 额定电流: 3A AC/DC  
 Temperature range: -40°C +125°C  
 温度范围: -40°C +125°C

K 174051 W R - 2xXX - PT SN  
 ① ② ③ ④ ⑤ ⑥ ⑦

- 1.K: XKBTEK-Car Connector
- 2.XKB Series No
- 3.Category:W-Wafer
- 4.Welding Board Rangle:R-Stright 90°
- 5.Row No.Pin No:2xXX-2x10 Pin
- 6.Material:PT-PBT
- 7.Palting:SN-Plated Tin



K174051WR-2xXX-PTSN	PBT	Brass	K174051H
PART NO	Material	Material(Pin)	Suitable XKB Housing

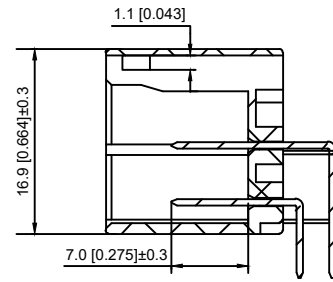
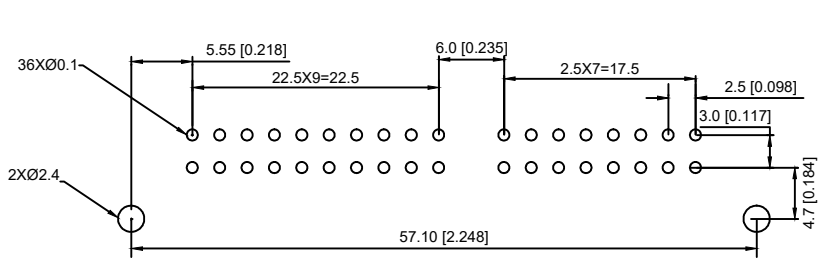
DSND	SCALE: N/A	MODEL TYPE:		
DWN	VIEW:	2.5mm Automobile connector		
CHKD	UNIT: mm/in	PART NO.:		
APPD	SIZE: A4	K174051WR-2xXX-PTSN		
		DWG NO.:		
		X-K174051WR-2xXX-PTSN		
		WEIGHT	SHEET	REVISION
			1/1	A0



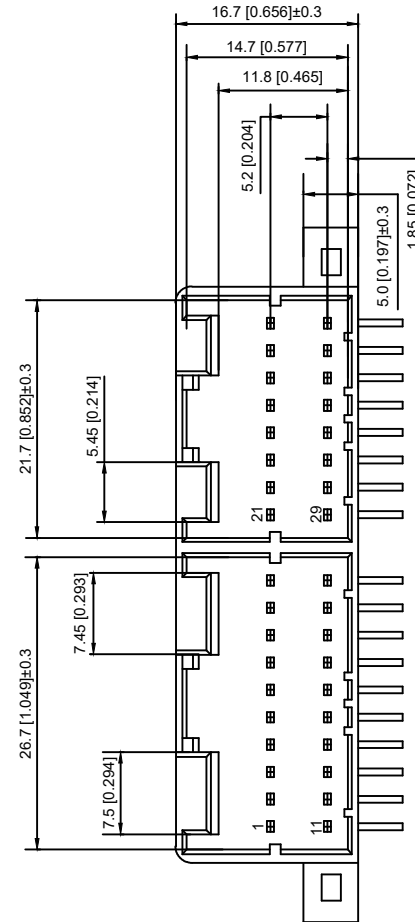
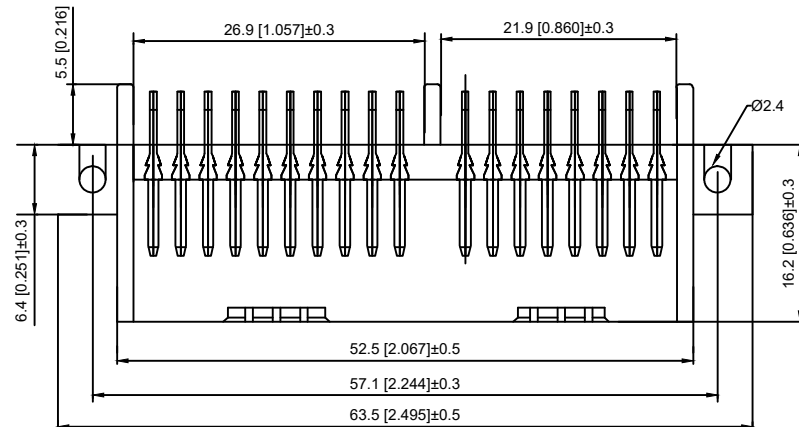
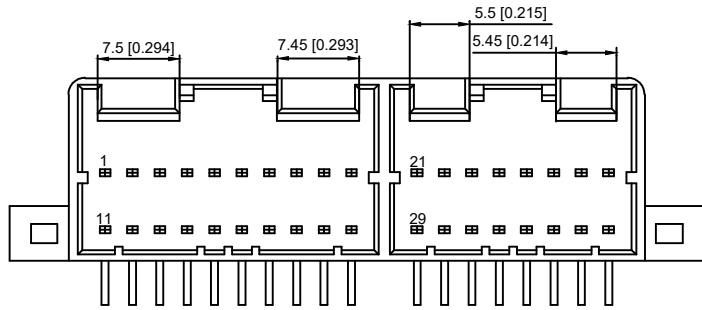
XKB INDUSTRIAL PRECISION CO., LIMITED

ANGLAR	±5°
L ≤ 4	±0.2
4 < L ≤ 16	±0.3
16 < L ≤ 63	±0.4
L > 63	±0.5
UNSPECIFIED TOLERANCES	

MARK	DESCRIPTION	DATE	REVISED	APPROVED
	REVISIONS			

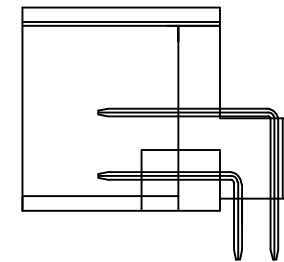


Current rating:3A AC/DC  
 额定电流: 3A AC/DC  
 Temperature range:-40°C-+125°C  
 温度范围: -40°C-+125°C



K 174051 W R - 2xXX - PT SN  
 ① ② ③ ④ ⑤ ⑥ ⑦

- 1.K: XKBTEK-Car Connector
- 2.XKB Series No
- 3.Category:W-Wafer
- 4.Welding Board Rangle:R-Stright 90°
- 5.Row No.Pin No:2xXX-2x18 Pin
- 6.Material:PT-PBT
- 7.Palting:SN-Plated Tin



K174051WR-2xXX-PTS	PBT	Brass	K174051H-2x10 K174051H-2x08
PART NO	Material	Material(Pin)	Suitable XKB Housing

DSND	SCALE: N/A	MODEL TYPE:		
DWN	VIEW:	2.5mm Automobile connector		
CHKD	UNIT: mm/in	PART NO.:		
APPD	SIZE: A4	K174051WR-2xXX-PTS		
		DWG NO.:		
		X-K174051WR-2xXX-PTS		
		WEIGHT	SHEET	REVISION
			1/1	A0



XKB INDUSTRIAL PRECISION CO.,LIMITED

ANGLAR	±5°
L ≤ 4	±0.2
4 < L ≤ 16	±0.3
16 < L ≤ 63	±0.4
L > 63	±0.5
UNSPECIFIED TOLERANCES	