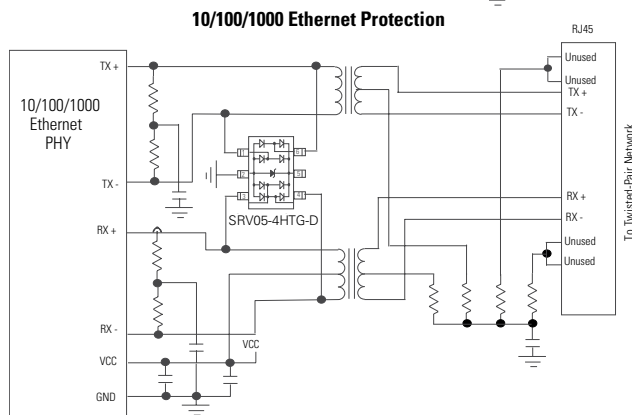
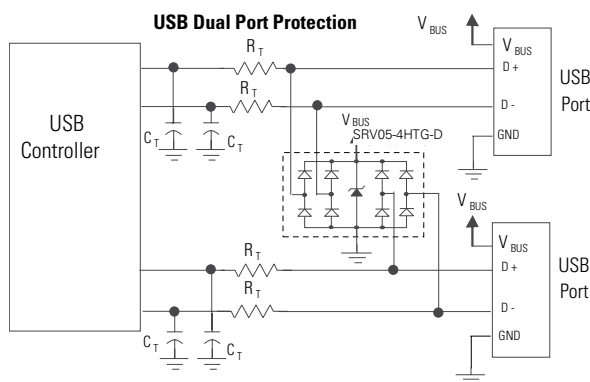


# SRV05-4HTG-D

## 6V 10A TVS Diode Array



### Application Examples



### Description

The SRV05-4HTG-D integrates low capacitance rail-to-rail diodes with an additional zener diode to protect each I/O pin against ESD and high surge events. This robust device can safely absorb 10A surge current per IEC 61000-4-5, 2nd Edition ( $t_P=8/20\mu s$ ) without performance degradation and a minimum  $\pm 30kV$  ESD per IEC 61000-4-2. Their very low loading capacitance also makes them ideal for protecting high speed signal pins.

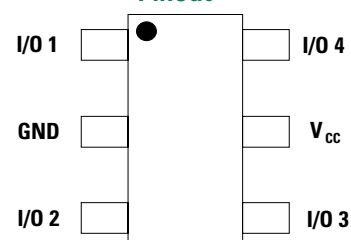
### Features and Benefits

- ESD, IEC 61000-4-2,  $\pm 30kV$  contact,  $\pm 30kV$  air
- EFT, IEC61000-4-4, 40A
- Lightning, IEC 61000-4-5 2nd Edition, 10A (8/20 $\mu s$ )
- Low capacitance of 1pF (TYP) per I/O
- Low leakage current of 0.5 $\mu A$  (MAX) at 5V
- Small SOT23-6 (JEDEC MO-178) packaging
- Halogen free, lead free and RoHS compliant
- Moisture Sensitivity Level (MSL -1)

### Applications

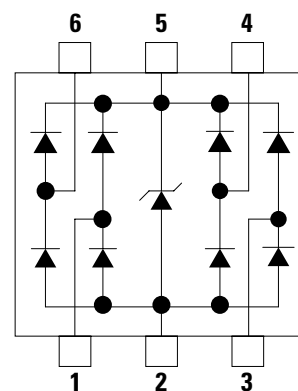
- LCD/PDP TVs
- Monitors
- Notebooks
- 10/100/1000 Ethernet
- Firewire
- Set Top Boxes
- Flat Panel Displays
- Portable Medical

### Pinout



### Top View

### Functional Block Diagram



Life Support Note:

#### Not Intended for Use in Life Support or Life Saving Applications

The products shown herein are not designed for use in life sustaining or life saving applications unless otherwise expressly indicated.

# SRV05-4HTG-D

## 6V 10A TVS Diode Array

### Absolute Maximum Ratings

Symbol	Parameter	Value	Units
$I_{PP}$	Peak Current ( $t_p=8/20\mu s$ )	10	A
$P_{PK}$	Peak Pulse Power ( $t_p=8/20\mu s$ )	150	W
$T_{OP}$	Operating Temperature	-40 to 125	°C
$T_{STOR}$	Storage Temperature	-55 to 150	°C

**Caution:** Stresses above those listed in "Absolute Maximum Ratings" may cause permanent damage to the component. This is a stress only rating and operation of the component at these or any other conditions above those indicated in the operational sections of this specification is not implied.

### Electrical Characteristics ( $T_{OP}=25^\circ C$ )

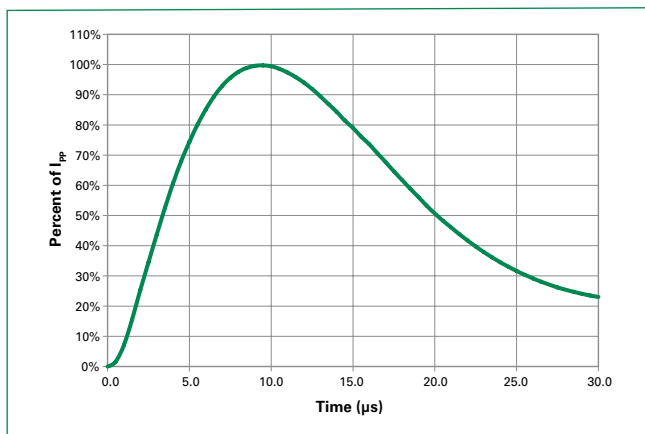
Parameter	Symbol	Test Conditions	Min	Typ	Max	Units
Reverse Standoff Voltage	$V_{RWM}$	-			6	V
Breakdown Voltage	$V_{BR}$	$I_R = 1mA$ , I/O to GND	6	8.5		V
Reverse Leakage Current	$I_{LEAK}$	$V_R=5V$ , I/O to GND		0.1	0.5	$\mu A$
Clamp Voltage <sup>1</sup>	$V_C$	$I_{PP}=5A$ , $t_p=8/20\mu s$ , I/O to GND		11.7	13	V
		$I_{PP}=8A$ , $t_p=8/20\mu s$ , I/O to GND		12.5	14	V
		$I_{PP}=10A$ , $t_p=8/20\mu s$ , I/O to GND		13.2	15	V
Dynamic Resistance <sup>2</sup>	$R_{DYN}$	TLP, $t_p=100ns$ , I/O to GND		0.28		$\Omega$
ESD Withstand Voltage <sup>1</sup>	$V_{ESD}$	IEC 61000-4-2 (Contact Discharge)	$\pm 30$			kV
		IEC 61000-4-2 (Air Discharge)	$\pm 30$			kV
Diode Capacitance <sup>1</sup>	$C_{I/O-GND}$	Reverse Bias=0V, f=1MHz, I/O to GND		1	3	pF
	$C_{I/O-I/O}$	Reverse Bias=0V, f=1MHz, I/O to I/O		0.5		pF

**Notes:**

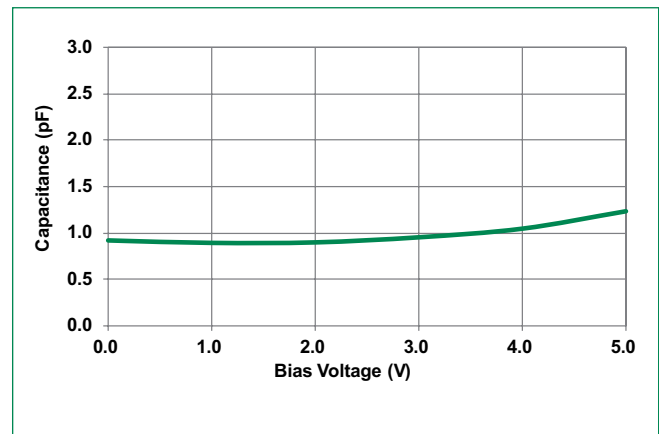
1. Parameter is guaranteed by design and/or component characterization.

2. Transmission Line Pulse (TLP) test setting : Std.TDR(50 $\Omega$ ),  $t_p=100ns$ ,  $t_r=0.2ns$  ITLP and VTLP averaging window: start  $t_1=70ns$  to end  $t_2=80ns$

#### 8/20 $\mu s$ Pulse Waveform



#### Capacitance vs. Reverse Bias



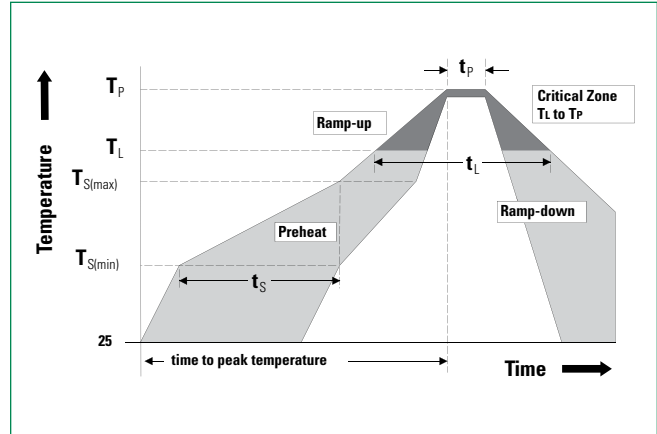


# SRV05-4HTG-D

## 6V 10A TVS Diode Array

### Soldering Parameters

<b>Reflow Condition</b>		Pb – Free assembly
<b>Pre Heat</b>	- Temperature Min ( $T_{s(min)}$ )	150°C
	- Temperature Max ( $T_{s(max)}$ )	200°C
	- Time (min to max) ( $t_s$ )	60 – 120 secs
<b>Average ramp up rate (Liquidus) Temp (<math>T_L</math>) to peak</b>		3°C/second max
<b><math>T_{s(max)}</math> to <math>T_L</math> - Ramp-up Rate</b>		3°C/second max
<b>Reflow</b>	- Temperature ( $T_L$ ) (Liquidus)	217°C
	- Temperature ( $t_L$ )	60 – 150 seconds
<b>Peak Temperature (<math>T_p</math>)</b>		260 <sup>+0/-5</sup> °C
<b>Time within 5°C of actual peak Temperature (<math>t_p</math>)</b>		30 seconds
<b>Ramp-down Rate</b>		6°C/second max
<b>Time 25°C to peak Temperature (<math>T_p</math>)</b>		8 minutes Max.
<b>Do not exceed</b>		260°C



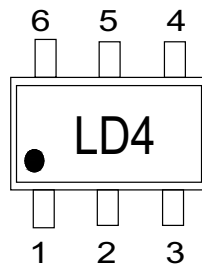
### Ordering Information

Part Number	Package	Min. Order Qty.
SRV05-4HTG-D	SOT23-6	3000

### Product Characteristics

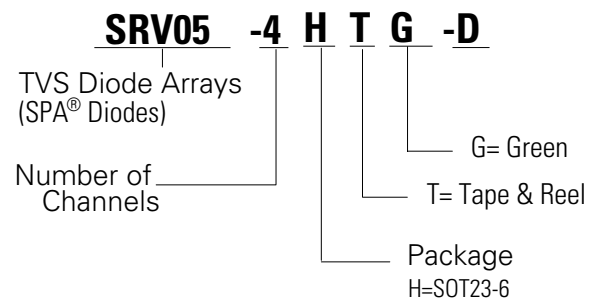
<b>Lead Plating</b>	Matte Tin
<b>Lead Material</b>	Copper Alloy
<b>Lead Coplanarity</b>	0.004 inches(0.102mm)
<b>Substrate Material</b>	Silicon
<b>Body Material</b>	Molded Compound
<b>Flammability</b>	UL Recognized compound meeting flammability rating V-0

### Part Marking System



L : Part code  
 D : Assembly code  
 4 : Number of channel

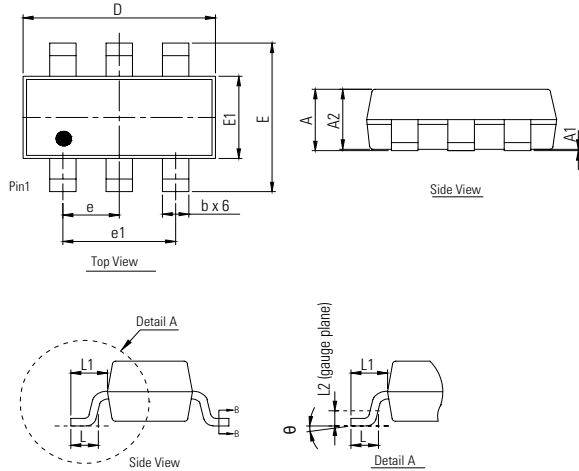
### Part Numbering System



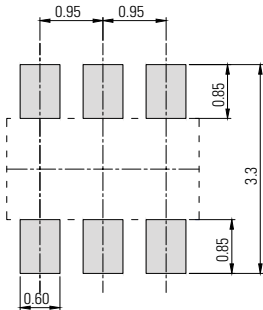
# SRV05-4HTG-D

## 6V 10A TVS Diode Array

### Package Dimensions - SOT23-6



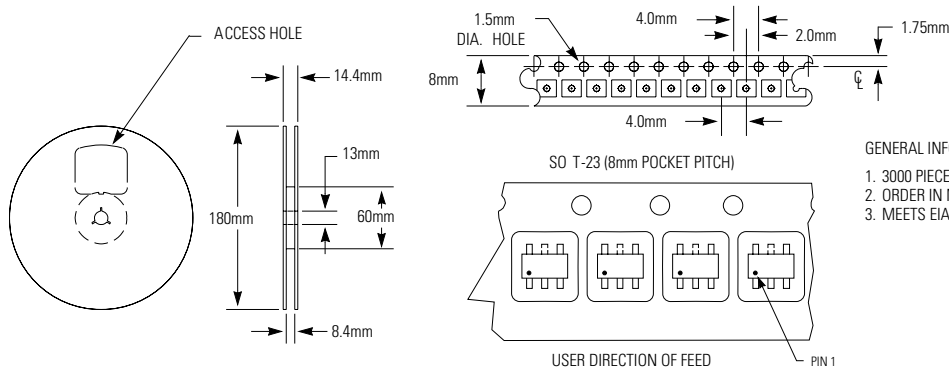
Symbol	Millimeters			Inches		
	Min	Nom	Max	Min	Nom	Max
<b>A</b>	-	-	1.45	-	-	0.057
<b>A1</b>	0.00	-	0.15	0.000	-	0.006
<b>A2</b>	0.90	1.15	1.30	0.035	0.045	0.051
<b>b</b>	0.30	-	0.50	0.012	-	0.020
<b>D</b>	2.70	2.90	3.05	0.106	0.114	0.120
<b>E</b>	2.60	2.80	3.00	0.102	0.110	0.118
<b>E1</b>	1.45	1.60	1.75	0.057	0.063	0.069
<b>e</b>	0.95 BSC			0.037 BSC		
<b>e1</b>	1.90 BSC			0.075 BSC		
<b>L</b>	0.30	0.50	0.60	0.012	0.020	0.024
<b>L1</b>	0.60 REF			0.024 REF		
<b>L2</b>	0.25 BSC			0.010 BSC		
$\theta$	0°	4°	8°	0°	4°	8°



Recommended soldering pad layout (unit :mm)

### Embossed Carrier Tape & Reel Specification – SOT23-6

#### 8mm TAPE AND REEL



- GENERAL INFORMATION
1. 3000 PIECES PER REEL.
  2. ORDER IN MULTIPLES OF FULL REELS ONLY.
  3. MEETS EIA-481 REVISION "A" SPECIFICATIONS.

**Disclaimer Notice** - Information furnished is believed to be accurate and reliable. However, users should independently evaluate the suitability of and test each product selected for their own applications. Littelfuse products are not designed for, and may not be used in, all applications. Read complete Disclaimer Notice at <http://www.littelfuse.com/disclaimer-electronics>.