

THIS DRAWING IS UNPUBLISHED.

RELEASED FOR PUBLICATION

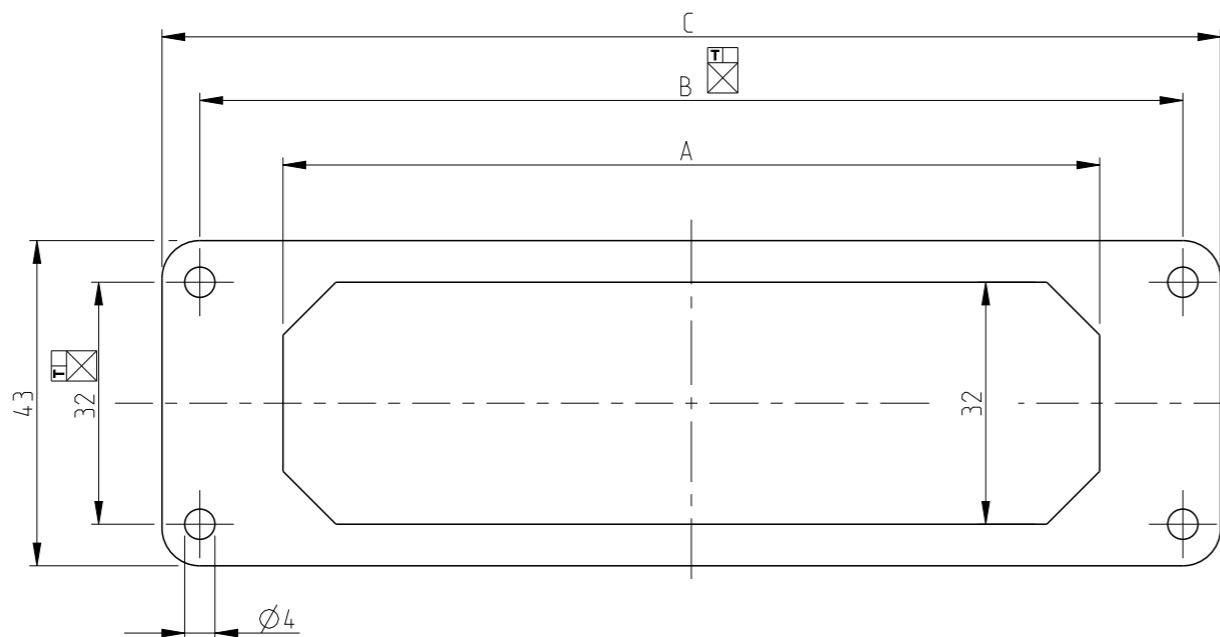
1997

© COPYRIGHT 1997 BY -

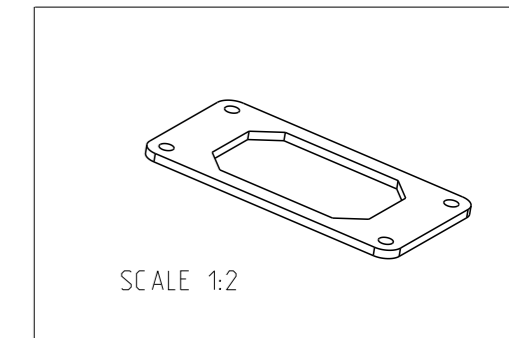
ALL RIGHTS RESERVED.

REVISIONS

P	LTR	DESCRIPTION	DATE	DWN	APVD
	B7	Released as per ECR-08-025177	07.Oct.2008	GG	TS
	B8	REVISED PER ECR-17-014013	05JAN2018	SRG	MKO
	B9	ECR-21-123577	21MAR2022	RK	JB



NOTES  
1. PACKAGING 50 PIECES IN A BOX



OBSELETE	OBSELETE	OBSELETE	OBSELETE	OBSELETE														
1					-	-	-	-	-	Flange gasket HB.24	Neoprene	Black	9	2.0 mm Thick		108	130	140
	1				-	-	-	-	-	Flange gasket HB.24	Viton compound	Black	8	3.0 mm Thick		108	130	140
		1			-	-	-	-	-	Flange gasket HB.16	Viton compound	Black	7	3.0 mm Thick		81	103	113
			1		-	-	-	-	-	Flange gasket HB.10	Viton compound	Black	6	3.0 mm Thick		63	83	93
				1	-	-	-	-	-	Flange gasket HB.6	Viton compound	Black	5	3.0 mm Thick		50	70	80
					1	-	-	-	-	Flange gasket HB.24	Cell India rubber"B"	Black	4	2.5 mm Thick,on one side self adhesive	108	130	140	
					-	1	-	-	-	Flange gasket HB.16	Cell India rubber"B"	Black	3	2.5 mm Thick,on one side self adhesive	81	103	113	
					-	-	1	-	-	Flange gasket HB.10	Cell India rubber"B"	Black	2	2.5 mm Thick,on one side self adhesive	63	83	93	
					-	-	-	1	-	Flange gasket HB.6	Cell India rubber"B"	Black	1	2.5 mm Thick,on one side self adhesive	50	70	80	
1-3	1-2	1-1	1-0	0-9	0-4	0-3	0-2	0-1		DESCRIPTION	MATERIAL	COLOR	POS	NOTES	A	B	C	
HB.24.D-2mm	HB.24.D.V	HB.16.D.V	HB.10.D.V	HB.6.D.V	HB.24.D	HB.16.D	HB.10.D	HB.6.D										

THIS DRAWING IS A CONTROLLED DOCUMENT.

DIMENSIONS: mm

TOLERANCES UNLESS OTHERWISE SPECIFIED:

0 PLC ±

1 PLC ±

2 PLC ±

3 PLC ±

4 PLC ±

ANGLES ±

FINISH

DWN Schneider 11.01.1999

CHK Schweiger 11.01.1999

APVD -

PRODUCT SPEC -

APPLICATION SPEC -

WEIGHT -

CUSTOMER DRAWING

**STE** TE Connectivity

NAME: Flange mounted seal HB 6-24

SIZE: A3 CAGE CODE: 00779 DRAWING NO: C-1106352

RESTRICTED TO

SCALE: 1:2 SHEET: 1 OF 1 REV: B9