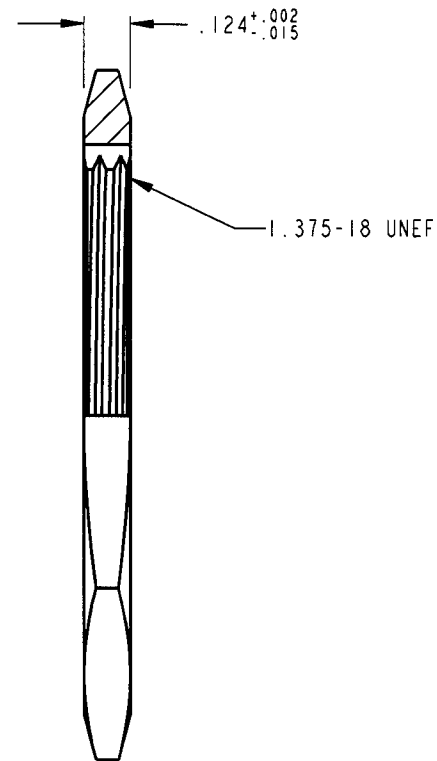
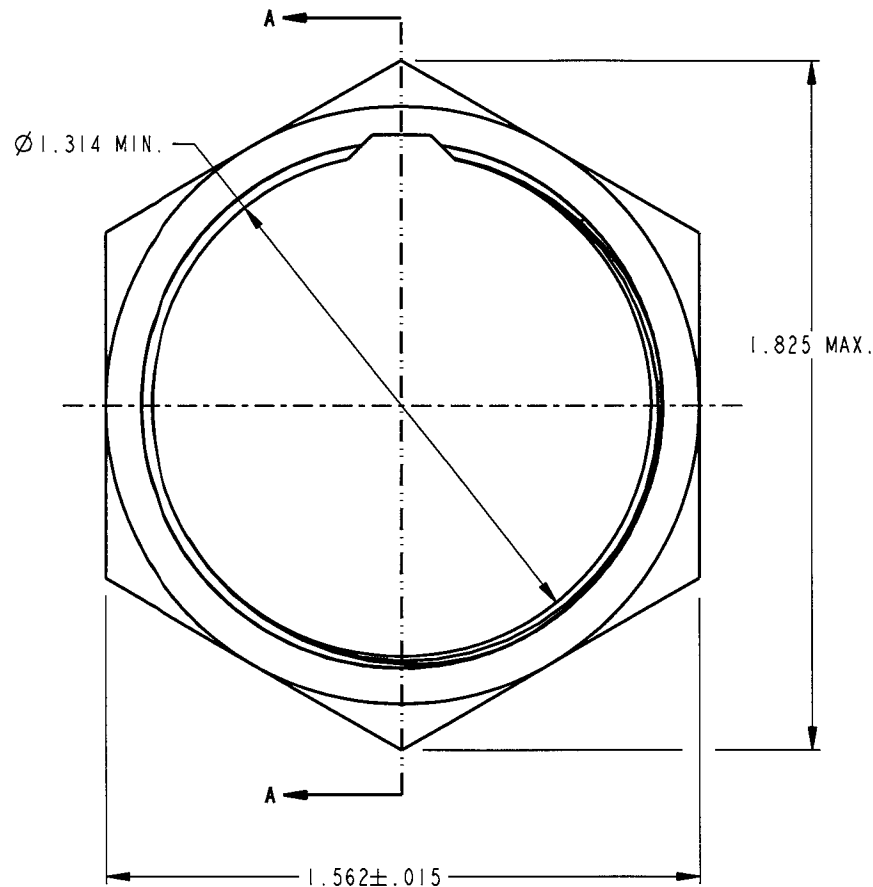


PROPERTY OF DEUTSCH E.C.D.

This drawing contains proprietary information that shall not be disclosed, duplicated, nor used in whole or in part for any purpose other than to evaluate this drawing.

A		0025-262-3014		REVISIONS	
REV	DESCRIPTION	DATE	APPROVED		
A	REVISED PER E.O.D1421	8/18/05	T.H.		



SECTION A-A

- 2. MATERIAL / FINISH: ALUMINUM ALLOY / NICKEL PLATED.
- 1. ALL DIMENSIONS ARE IN INCHES UNLESS OTHERWISE SPECIFIED.

SIGNATURE & DATE	
DR	T. HOLT 9/29/98
CHK	MK 3/31/99
PE	TIM HOLT 9/29/98
APPD	<i>[Signature]</i>
SCALE	NONE
WT	

NUT, PANEL
SIZE 20

ENVELOPE

CP	MATL CODE
DEUTSCH ENGINEERED CONNECTING DEVICES 5733 W. Whittier Ave. Hemet, California	
A	0025-262-3014
DWG SIZE	CODE 11139
SHEET	1 OF 1