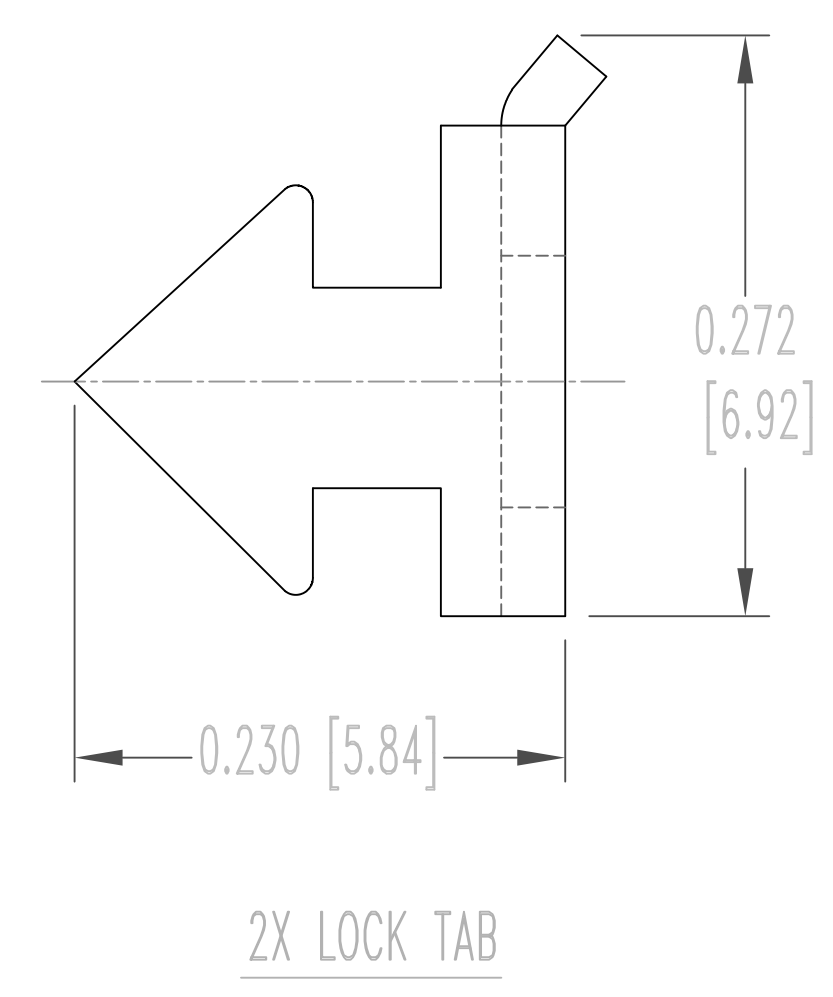
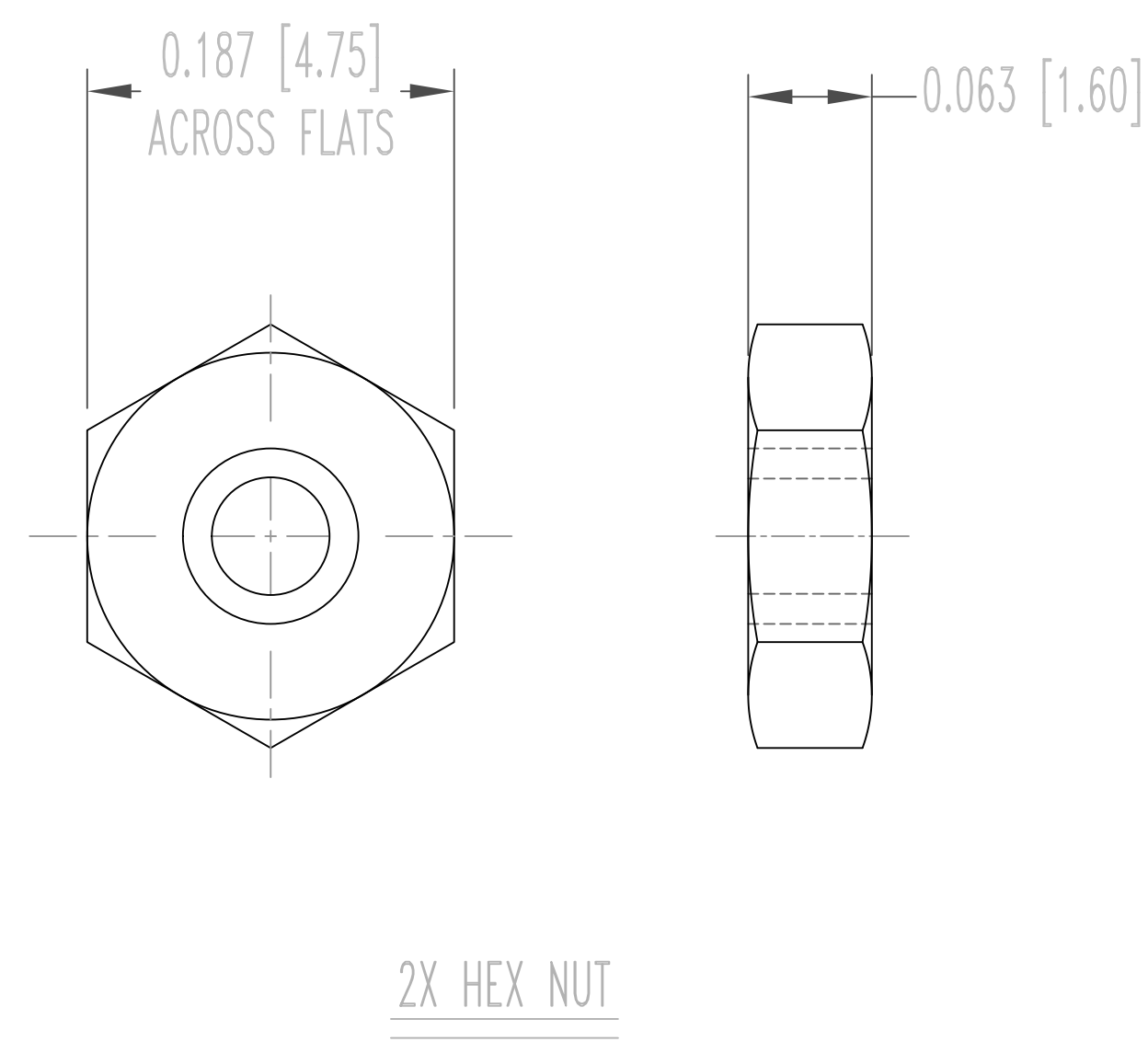
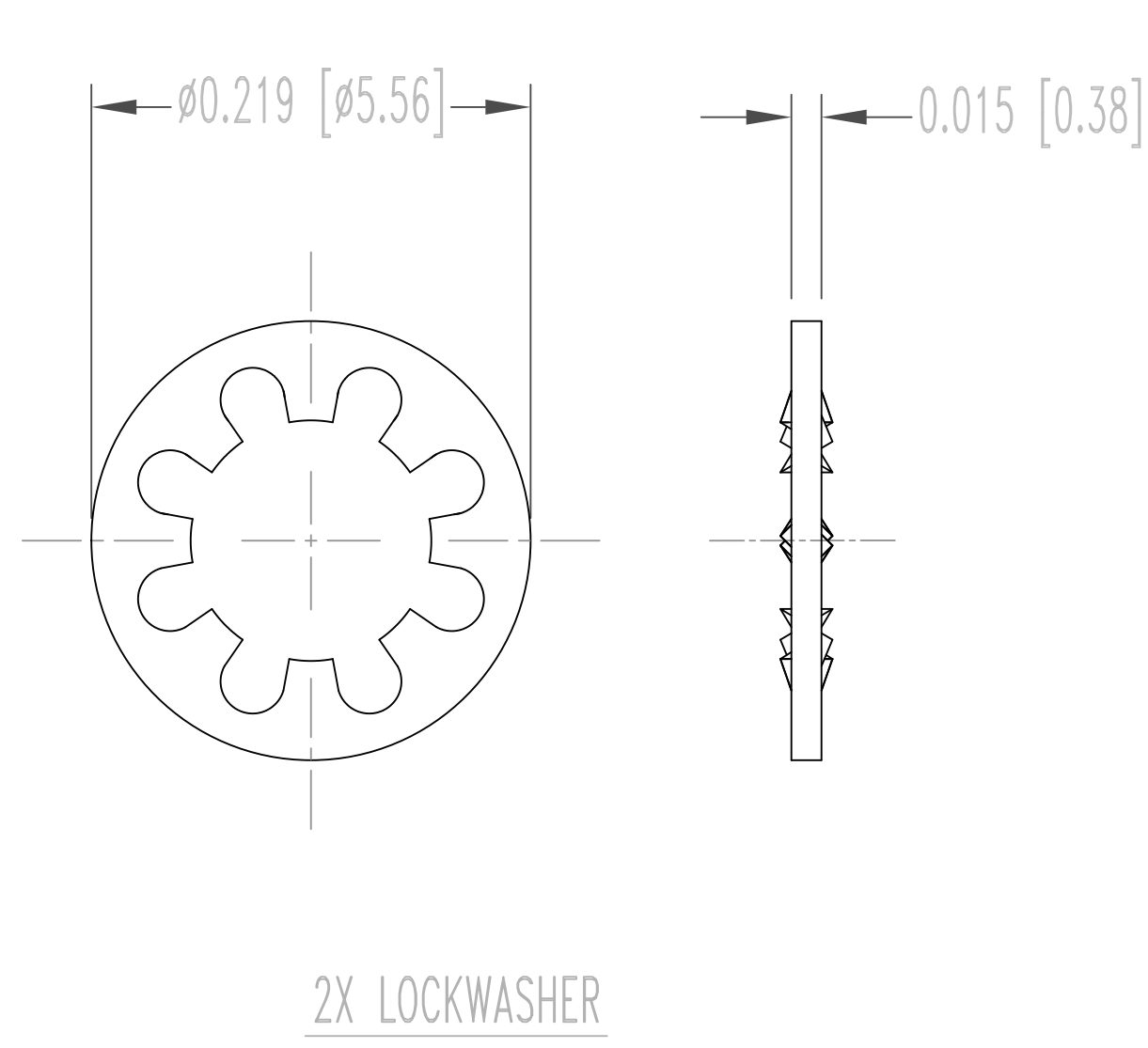
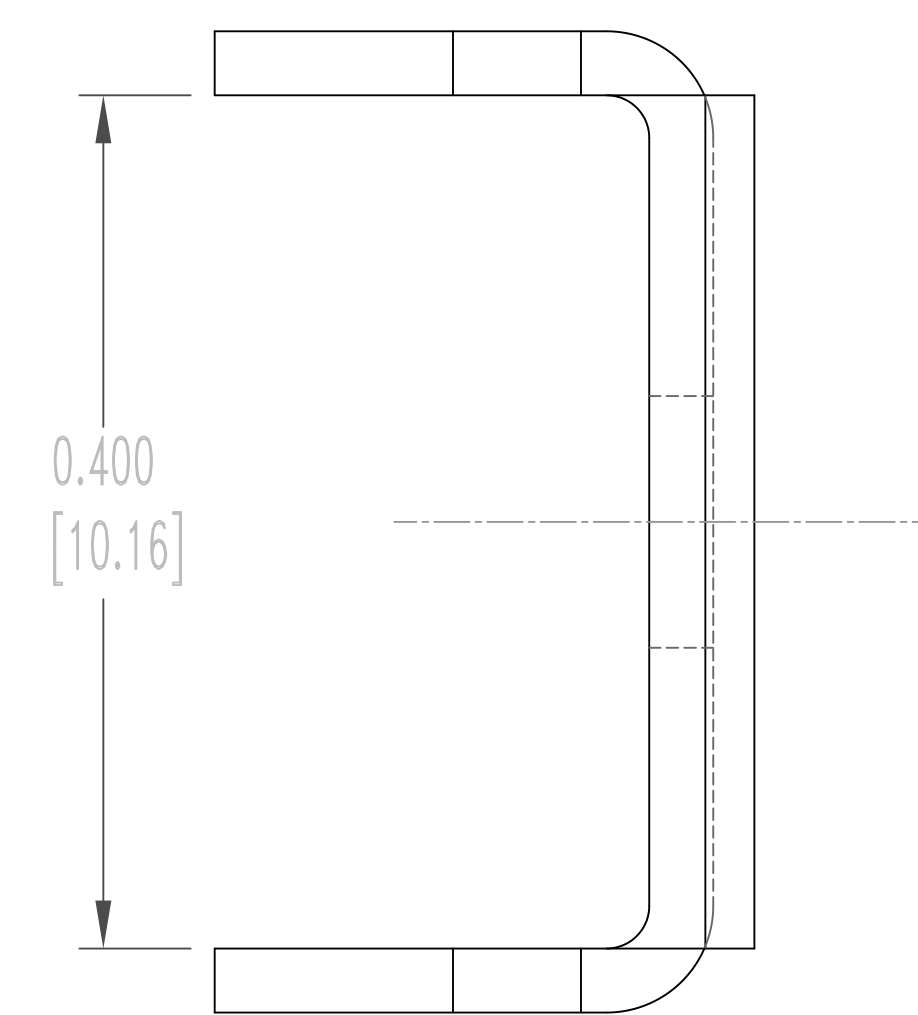
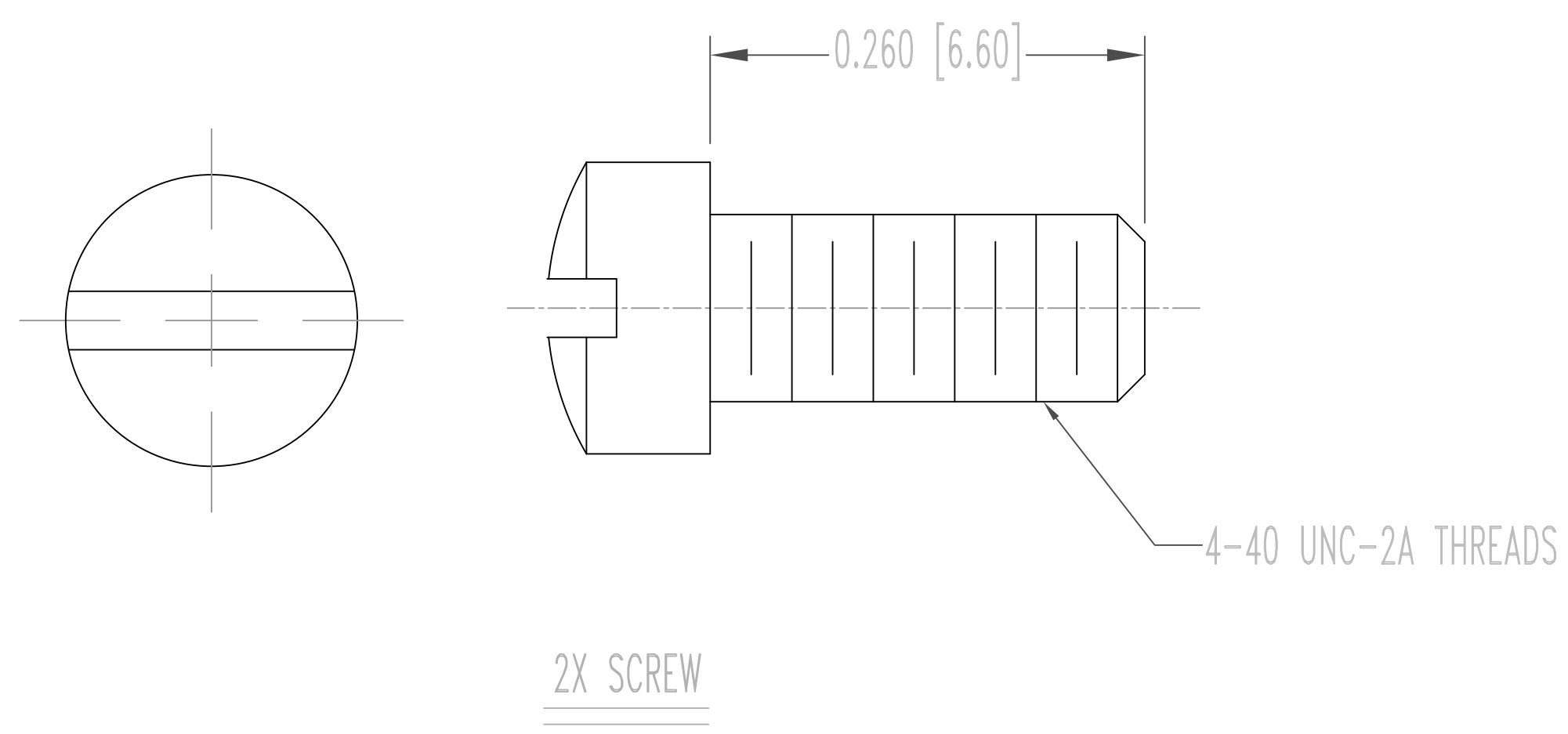


THIS DRAWING CONTAINS INFORMATION PROPRIETARY TO POSITRONIC AND ITS SUBSIDIARIES. POSITRONIC BELIEVES THE DATA ON THIS DRAWING TO BE RELIABLE, SINCE THE TECHNICAL INFORMATION IS GIVEN FREE OF CHARGE, THE USER EMPLOYS SUCH INFORMATION AT HIS OWN DISCRETION AND RISK. POSITRONIC ASSUMES NO RESPONSIBILITY FOR RESULTS OBTAINED OR DAMAGES INCURRED FROM USE OF SUCH INFORMATION IN WHOLE OR IN PART.

SK6832

DATE	REV	REVISION RECORD	APP	DR	CK
01-25 19	B	ECO 64599	RK	GJ	RG



NOTES:

- MATERIALS AND FINISHES:  
 LOCK TABS: STEEL, NICKEL PLATE.  
 LOCKWASHERS: PHOSPHOR BRONZE, ZINC PLATE WITH CHROMATE SEAL.  
 HEX NUTS: BRASS, ZINC PLATE WITH CHROMATE SEAL.  
 MOUNTING SCREWS: BRASS, ZINC PLATE WITH CHROMATE SEAL.
- DETAILED PRODUCT, MECHANICAL AND ELECTRICAL INFORMATION IS AVAILABLE IN THE LATEST D-SUB ACCESSORIES PRODUCT PUBLICATION AT [CONNECTPOSITRONIC.COM](http://CONNECTPOSITRONIC.COM).
- COMPONENTS ARE COMPLIANT TO THE CURRENT RoHS DIRECTIVE.
- DIMENSIONS ARE IN INCHES [MILLIMETERS].

	<b>POSITRONIC INDUSTRIES INC.</b> SPRINGFIELD, MISSOURI 65801		DRAWN BY <b>YK</b>
	D SERIES	SCALE <b>N.T.S.</b>	APPROVED BY <b>T. KEPLEY</b>
DECIMAL TOL. $\pm 0.015$ [0.38]	TITLE <b>D9/370000V30/AA</b>		
ANGULAR TOL. $\pm 5^\circ$	DATE <b>12-19-05</b>	DRAWING NUMBER <b>SK6832</b>	REV. <b>B</b>