

NOTES:

1. MATERIAL:

CAGE: NICKEL SILVER
 CONNECTOR HOUSING: GLASS FILLED THERMOPLASTIC, UL: 94V-0, COLOR: BLACK
 LIGHT PIPES: POLYCARBONATE, 94 HB, COLOR: CLEAR
 TERMINALS: HIGH PERFORMANCE COPPER ALLOY
 FRONT SHIELD WALL: COPPER ALLOY
 LIGHT PIPE HOUSING: ZINC ALLOY

2. FINISH

TERMINALS: CONTACT AREA: 0.76 μm MIN. HARD GOLD OVER
 3.8 μm MIN. NICKEL.
 COMPLIANT TAIL: 0.7-1.5 μm MATTE TIN OVER:
 0.7-1.5 μm NICKEL
 FRONT SHIELD WALL: 0.7-1.5 μm NICKEL OVERALL
 LIGHT PIPE HOUSING: 2.0 μm NICKEL OVER 0.7 μm COPPER

3. 2X4 CONFIGURATION SHOWN FOR REFERENCE, SEE CHART FOR AVAILABLE OPTIONS
 4. REFER TO PS-170071-0001 FOR ALL ELECTRICAL, MECHANICAL AND ENVIRONMENTAL SPECIFICATIONS.
 5. REFER TO AS-170071-0001 FOR CONNECTOR MOUNTING AND REWORK INFORMATION.
 6. REFER TO AS-170071-0002 FOR PCB ROUTING RECOMMENDATIONS.
 7. ALL VISIBLE EXTERIOR SURFACES TO BE CLASS "B" (BOTTOM OF CONNECTOR IS CLASS "C") CAGE SURFACES TO CONFORM TO THE MOLEX COSMETIC DOC PS-45499-002.
 8. DATE CODE FORMAT:YYDDDX
 YY: LAST TWO DIGITS OF THE YEAR
 DDD: DAY OF THE YEAR
 X: MOLEX INTERNAL CONTROL

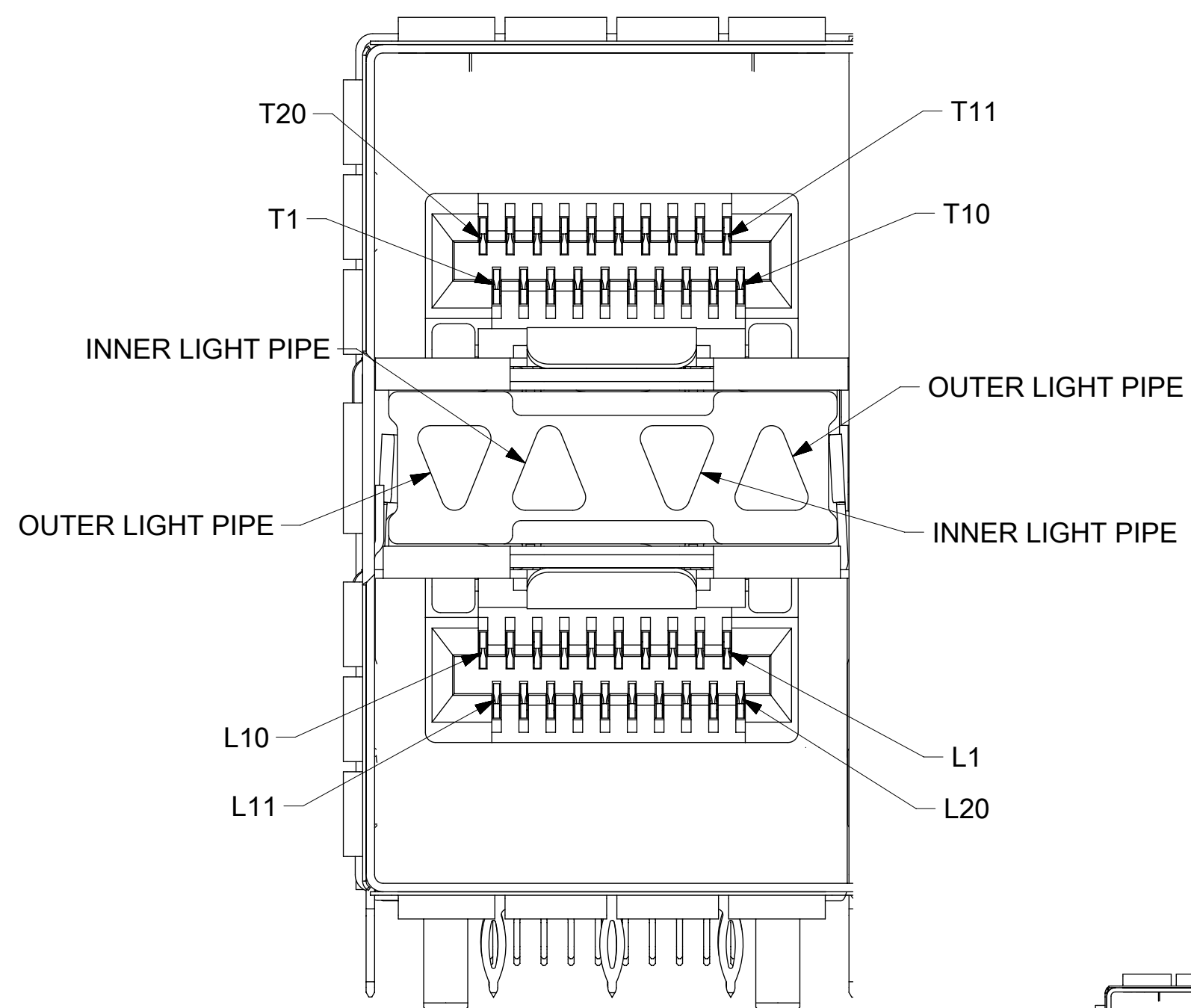
PORT SIZE	PART NUMBER	DIM X	DIM Y
2X1	17122410**	14.75	15.10
2X2	17122420**	29.00	29.35
2X4	17122440**	57.50	57.85
2X6	17122460**	86.00	86.35
2X8	17122480**	114.50	114.85
2X12	17122412**	171.50	171.85

**-DESIGNATES LIGHT PIPE CONFIGURATIONS, SEE SHEET 2

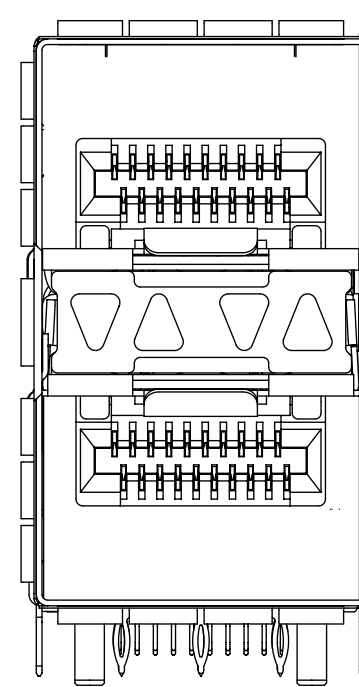
DOCUMENT STATUS | P1 | RELEASE DATE | 2019/09/17 07:55:22

THIS DRAWING CONTAINS INFORMATION THAT IS PROPRIETARY TO MOLEX ELECTRONIC TECHNOLOGIES, LLC AND SHOULD NOT BE USED WITHOUT WRITTEN PERMISSION

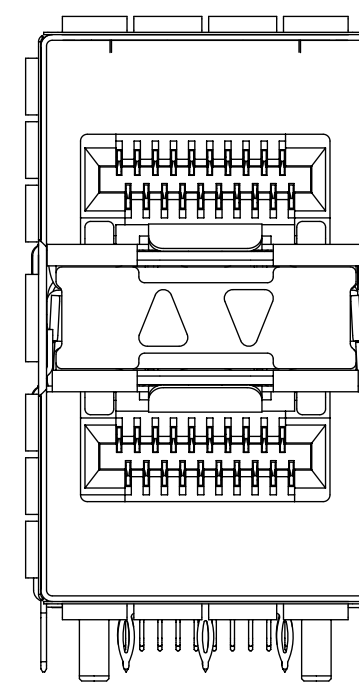
DIMENSION UNITS mm	SCALE 2:1	CURRENT REV DESC: SEE REVISION HISTORY		molex		
GENERAL TOLERANCES (UNLESS SPECIFIED)		EC NO: 623740				
ANGULAR TOL ± 0.5°	4 PLACES ±	DRWN: TMARRI	2019/08/22	PRODUCT CUSTOMER DRAWING		
3 PLACES ±	2 PLACES ±	CHK'D: RNELSON	2019/09/17	DOCUMENT NUMBER		
1 PLACE ± 0.25	0 PLACES ±	APPR: RNELSON	2019/09/17	SD-171224-0002		
DRAFT WHERE APPLICABLE MUST REMAIN WITHIN DIMENSIONS		INITIAL REVISION:		DOC TYPE	DOC PART	REVISION
THIRD ANGLE PROJECTION		DRWN: JKACHLIC	2011/08/08	PSD	001	H1
DRAWING		APPR: JKACHLIC	2011/11/03	MATERIAL NUMBER	CUSTOMER	SHEET NUMBER
C-SIZE		SERIES	171224	SEE CHART	GENERAL MARKET	1 OF 5



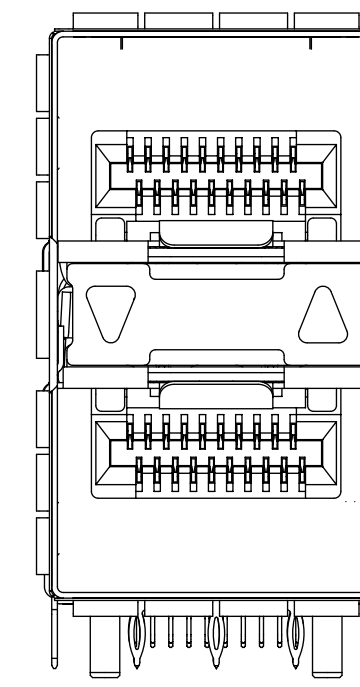
Partial4
SCALE 6:1



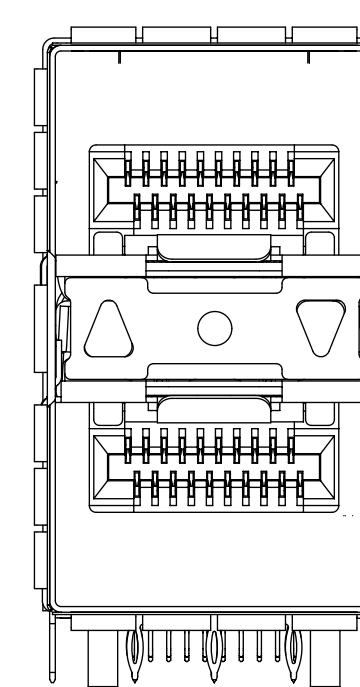
4 LIGHT PIPE
171224-**11



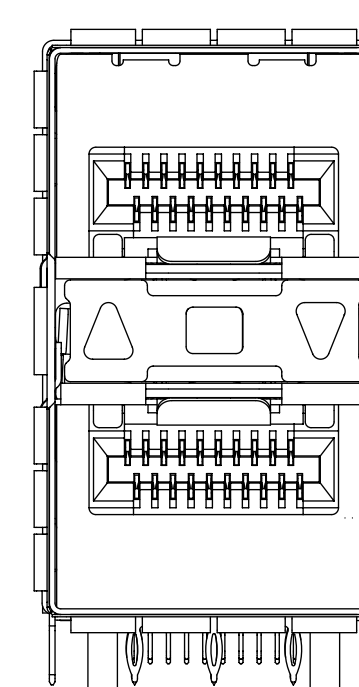
INNER LIGHT PIPE
171224-**12



OUTER LIGHT PIPE
DOWN / UP
171224-**13



OUTER LIGHT PIPE
UP / DOWN
171224-**14



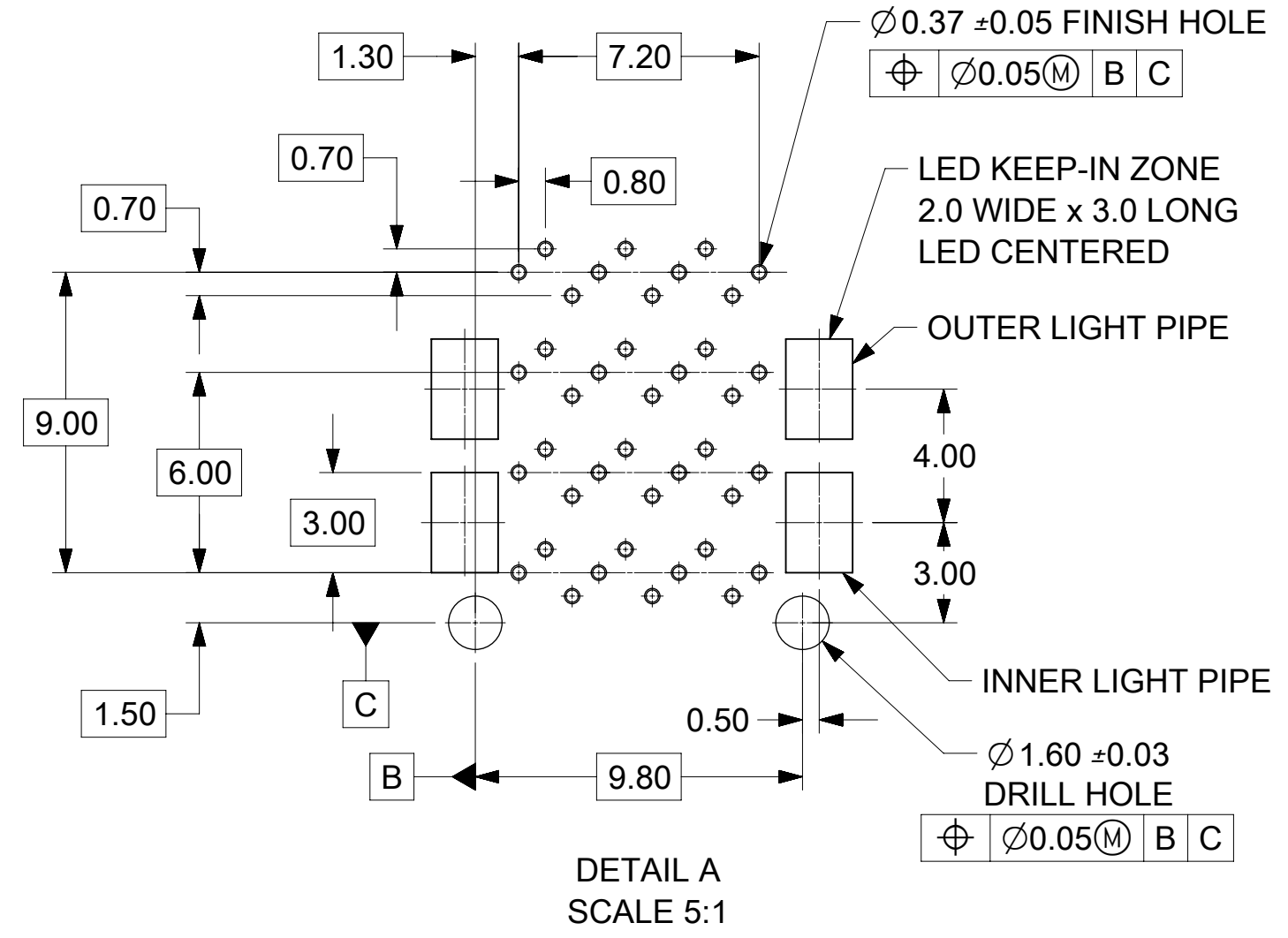
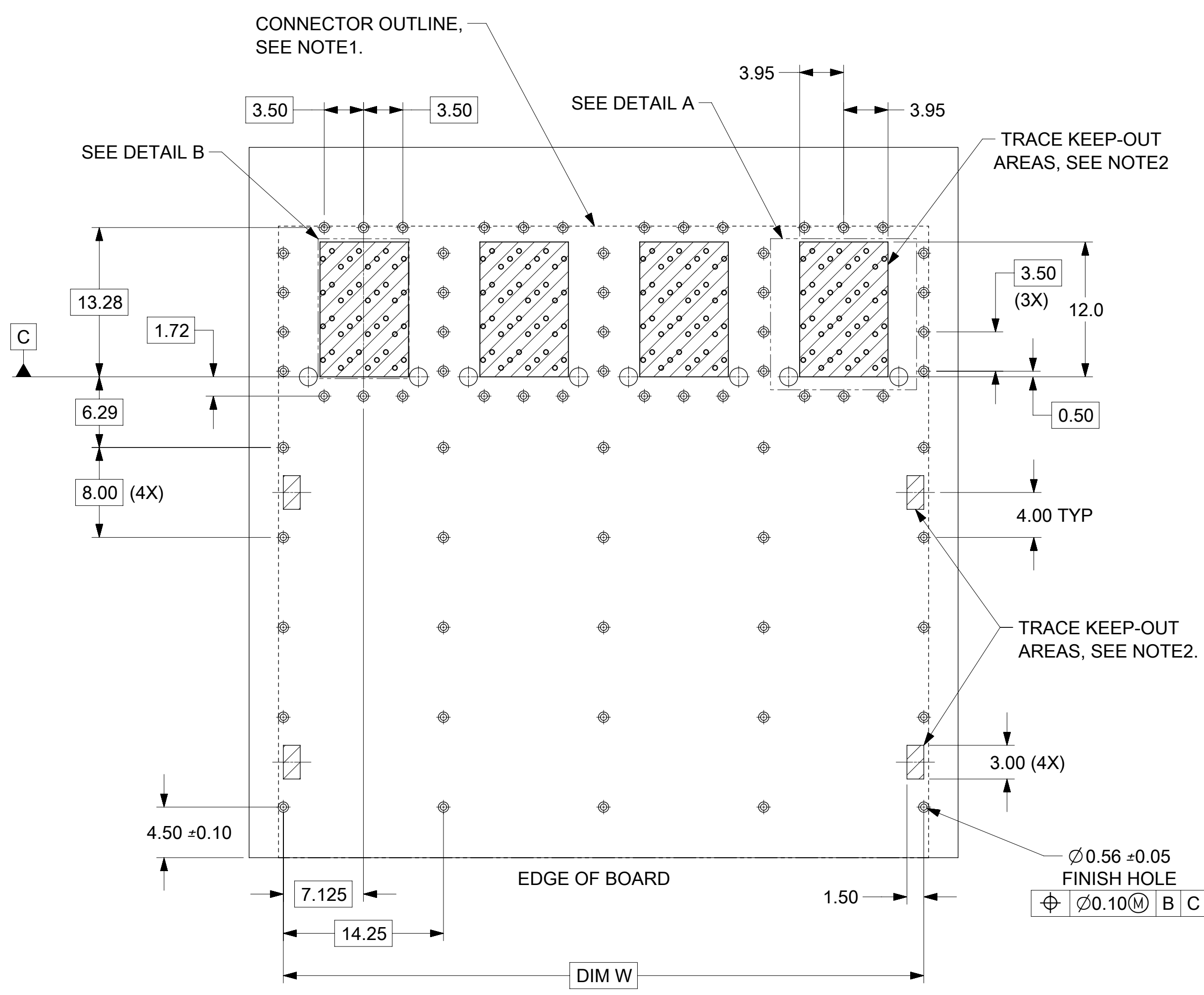
3 LIGHT PIPE
UP / MIDDLE / DOWN
171224-**15

PART NUMBER	DESCRIPTION
171224-**11	4 LIGHT PIPES
171224-**12	INNER 2 PORTS
171224-**13	OUTER 2 PORTS DOWN / UP
171224-**14	OUTER 2 PORTS UP / DOWN
171224-**15	3 LIGHT PIPES

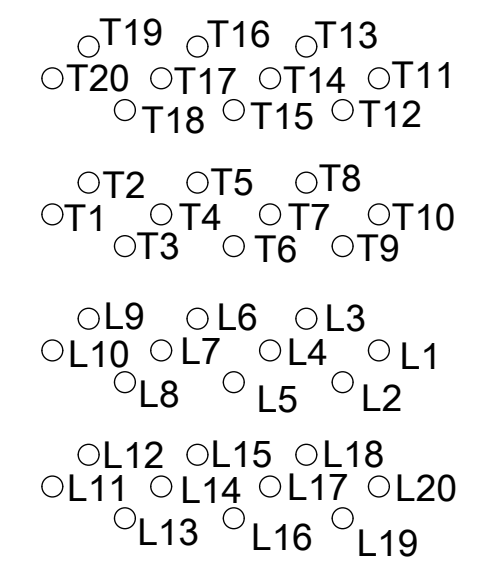
** - DESIGNATES PORT SIZE

THIS DRAWING CONTAINS INFORMATION THAT IS PROPRIETARY TO MOLEX ELECTRONIC TECHNOLOGIES, LLC AND SHOULD NOT BE USED WITHOUT WRITTEN PERMISSION

DIMENSION UNITS: mm		SCALE: 3:1	CURRENT REV DESC: SEE REVISION HISTORY					
GENERAL TOLERANCES (UNLESS SPECIFIED)		EC NO: 623740		DRWN: TMARRI 2019/08/22				
ANGULAR TOL	± 0.5°	DRWN: RNELSON 2019/09/17		CHK'D: RNELSON 2019/09/17		PRODUCT CUSTOMER DRAWING		
4 PLACES	±	APPR: RNELSON 2019/09/17		INITIAL REVISION:		DOCUMENT NUMBER		
3 PLACES	±	DRWN: JKACHLIC 2011/08/08		DRWN: JKACHLIC 2011/08/08		SD-171224-0002		
2 PLACES	±	APPR: JKACHLIC 2011/11/03		APPR: JKACHLIC 2011/11/03		DOC TYPE: PSD		
1 PLACE	± 0.25	THIRD ANGLE PROJECTION		DRAWING: C-SIZE		DOC PART: 001		
0 PLACES	±	DRAFT WHERE APPLICABLE MUST REMAIN WITHIN DIMENSIONS		SERIES: 171224		REVISION: H1		
MATERIAL NUMBER: SEE CHART		CUSTOMER: GENERAL MARKET		SHEET NUMBER: 2 OF 5				



PIN MAP



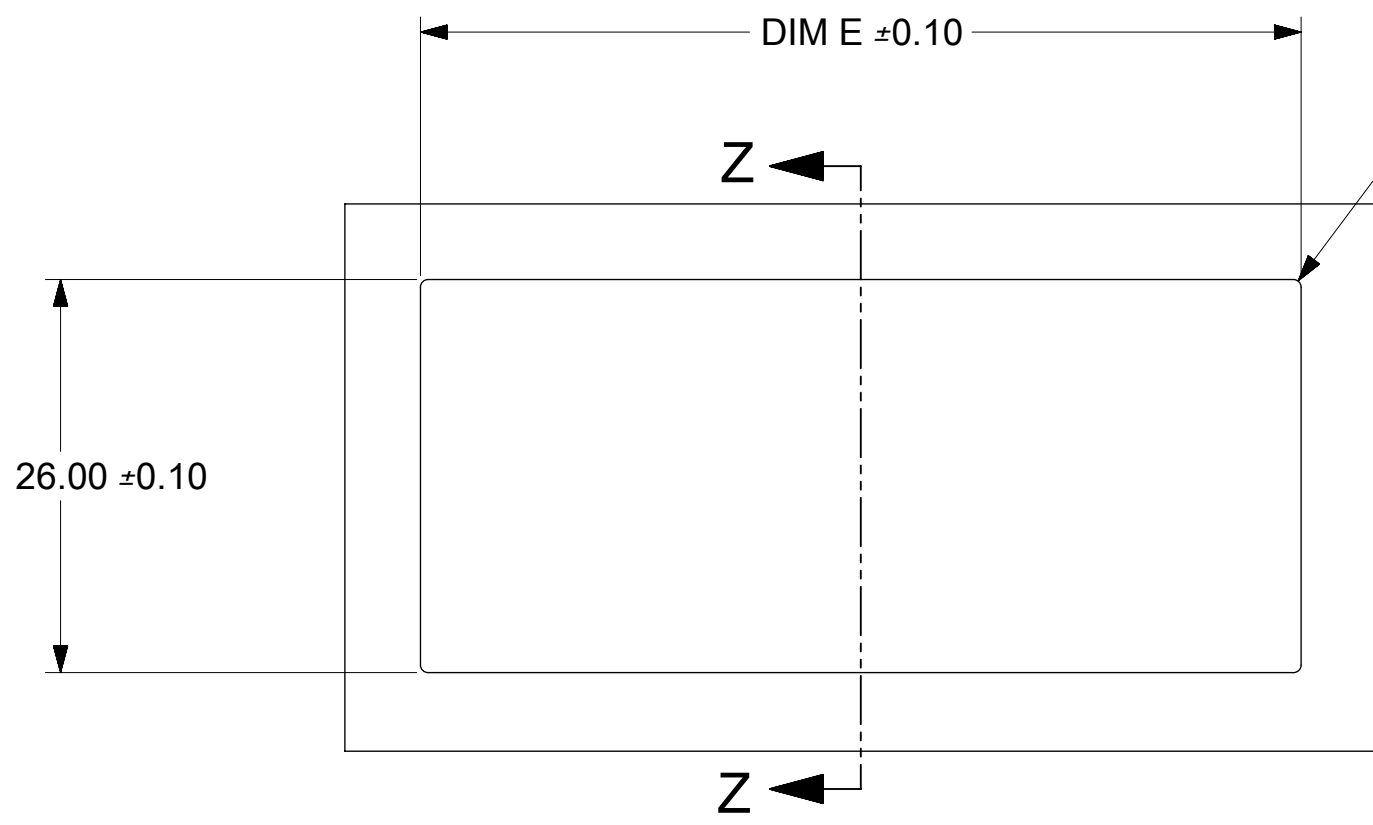
DETAIL B
SCALE 6:1

PORT SIZE	DIM "W"	HOLE CHART		
		CONNECTOR (Ø0.37)	SHIELD (Ø0.56)	LOCATION (Ø1.60)
2X1	14.25	40	24	2
2X2	28.50	80	39	4
2X4	57.00	160	69	8
2X6	85.50	240	99	12
2X8	114.00	320	129	16
2X12	171.00	480	189	24

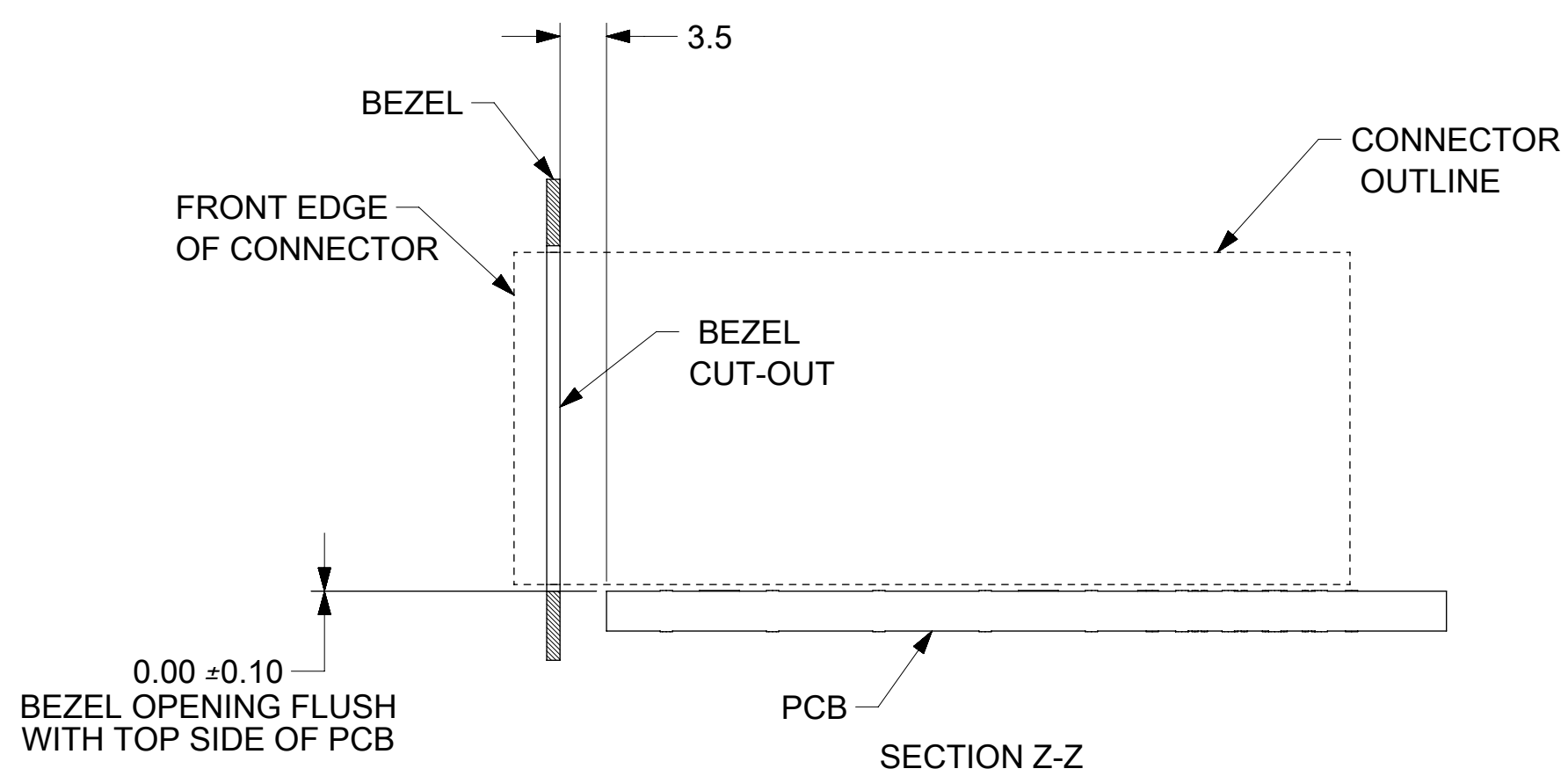
NOTES:

1. THE ENTIRE AREA UNDER THE CONNECTOR IS A KEEP OUT ZONE FOR COMPONENTS AND TRACES, TOP LAYER ONLY, EXCEPT FOR CHASSIS GROUND.
2. CROSS-HATCHED AREAS INDICATE PLACES WHERE THE PLASTIC HOUSING AND METAL CAGE MAY CONTACT PCB SURFACE. THESE AREAS ARE KEEP OUT ZONES. CROSS-HATCHED AREA UNDER THE CONNECTOR ARE TRACE AND VIA KEEP OUT AREAS FOR THE TOP LAYER.

THIS DRAWING CONTAINS INFORMATION THAT IS PROPRIETARY TO MOLEX ELECTRONIC TECHNOLOGIES, LLC AND SHOULD NOT BE USED WITHOUT WRITTEN PERMISSION									
DIMENSION UNITS: mm		SCALE: 3:1		CURRENT REV DESC: SEE REVISION HISTORY					
GENERAL TOLERANCES (UNLESS SPECIFIED)		ANGULAR TOL ± 0.5°		4 PLACES ±		3 PLACES ±		2 PLACES ±	
1 PLACE ± 0.25		0 PLACES ±		DRAFT WHERE APPLICABLE MUST REMAIN WITHIN DIMENSIONS		THIRD ANGLE PROJECTION		DRAWING SERIES: C-SIZE 171224	
EC NO: 623740 DRWN: TMARRI 2019/08/22 CHK'D: RNELSON 2019/09/17 APPR: RNELSON 2019/09/17				INITIAL REVISION: DRWN: JKACHLIC 2011/08/08 APPR: JKACHLIC 2011/11/03					
DOCUMENT NUMBER: SD-171224-0002		DOC TYPE: PSD		DOC PART: 001		REVISION: H1		SHEET NUMBER: 3 OF 5	
MATERIAL NUMBER: SEE CHART		CUSTOMER: GENERAL MARKET							

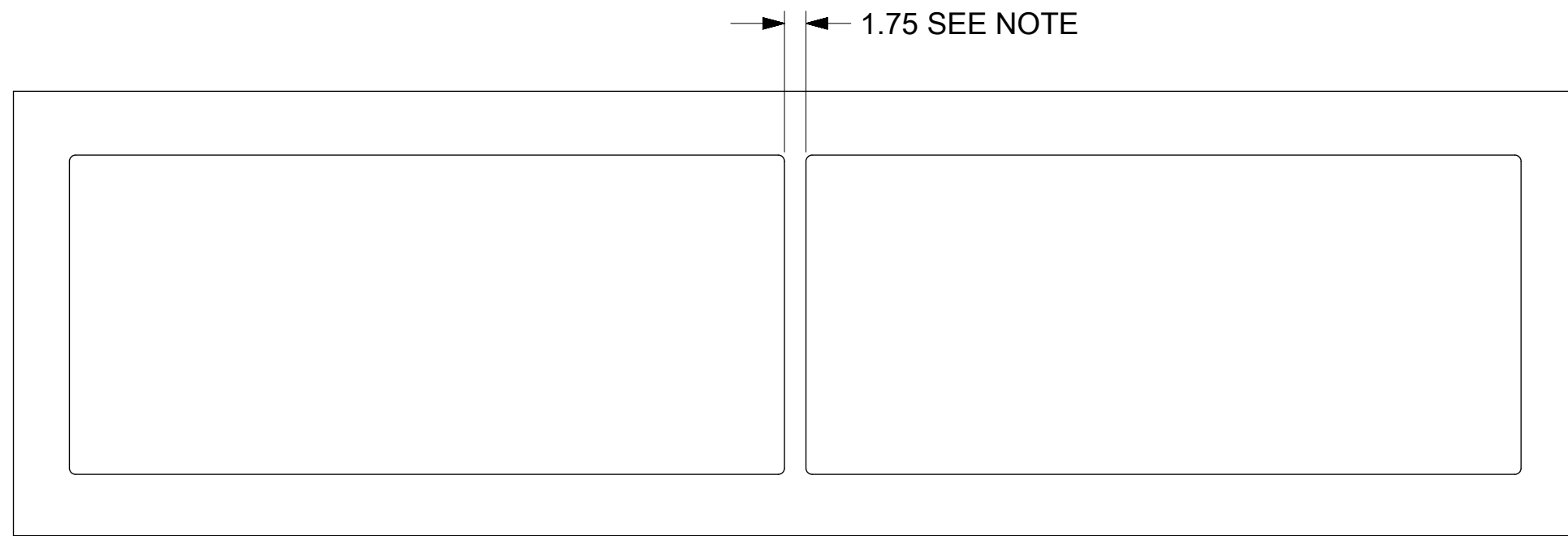


BEZEL CUT-OUT DETAIL
BEZEL THICKNESS 0.8-2.6



0.00 ±0.10
BEZEL OPENING FLUSH
WITH TOP SIDE OF PCB

SECTION Z-Z



BEZEL CUT-OUT FOR
CONNECTOR STACKING

PORT SIZE	DIM "E"
2X1	15.50
2X2	29.75
2X4	58.25
2X6	86.75
2X8	115.25
2X12	172.25

NOTE:

FOR SIDE BY SIDE STACKING OF CONNECTORS. A BASIC DIMENSION OF 3.0mm BETWEEN CONNECTOR MOUNTING PATTERNS IS THE RECOMMENDED MINIMUM SPACING.

THIS DRAWING CONTAINS INFORMATION THAT IS PROPRIETARY TO MOLEX ELECTRONIC TECHNOLOGIES, LLC AND SHOULD NOT BE USED WITHOUT WRITTEN PERMISSION

DIMENSION UNITS mm	SCALE 2:1	CURRENT REV DESC: SEE REVISION HISTORY		molex				
GENERAL TOLERANCES (UNLESS SPECIFIED)		EC NO: 623740						ZSFP+ STACKED ASSY METAL SPRING FINGER W/LP
ANGULAR TOL ± 0.5°		DRWN: TMARRI 2019/08/22		PRODUCT CUSTOMER DRAWING				
4 PLACES ±		CHK'D: RNELSON 2019/09/17		DOCUMENT NUMBER				
3 PLACES ±		APPR: RNELSON 2019/09/17		SD-171224-0002		DOC TYPE PSD	DOC PART 001	REVISION H1
2 PLACES ±		INITIAL REVISION:		MATERIAL NUMBER				
1 PLACE ± 0.25		DRWN: JKACHLIC 2011/08/08		SEE CHART		CUSTOMER		SHEET NUMBER
0 PLACES ±		APPR: JKACHLIC 2011/11/03		GENERAL MARKET		C-SIZE		4 OF 5
DRAFT WHERE APPLICABLE MUST REMAIN WITHIN DIMENSIONS		THIRD ANGLE PROJECTION		DRAWING C-SIZE		SERIES 171224		

DOCUMENT STATUS	P1	RELEASE DATE	2019/09/17 07:55:22
-----------------	----	--------------	---------------------

H
G
F
E
D
C
B
A

REVISION HISTORY		
DATE	REV.	DESCRIPTION
2019/09/09	H1	1.ADDED REVISION HISTORY. 2.CHG DATE CODE FORMAT, SHEET1. 3.ADD LENGTH OF SIGNAL PIN FOR SHORT, SHEET1.
		4.ADDED NOTES FOR PCB KEEP-OUT ZONE IN SHEET3

THIS DRAWING CONTAINS INFORMATION THAT IS PROPRIETARY TO MOLEX ELECTRONIC TECHNOLOGIES, LLC AND SHOULD NOT BE USED WITHOUT WRITTEN PERMISSION

DIMENSION UNITS	SCALE	CURRENT REV DESC: SEE REVISION HISTORY		molex				
mm	1:1	HISTORY						
GENERAL TOLERANCES (UNLESS SPECIFIED)		EC NO: 623740		ZSFP+ STACKED ASSY METAL SPRING FINGER W/LP				
ANGULAR TOL	± 0.5°	DRWN: TMARRI	2019/08/22	PRODUCT CUSTOMER DRAWING				
4 PLACES	±	CHK'D: RNELSON	2019/09/17	DOCUMENT NUMBER				
3 PLACES	±	APPR: RNELSON	2019/09/17	SD-171224-0002		DOC TYPE	DOC PART	REVISION
2 PLACES	±	INITIAL REVISION:		PSD 001 H1				
1 PLACE	± 0.25	DRWN: JKACHLIC	2011/08/08	MATERIAL NUMBER				
0 PLACES	±	APPR: JKACHLIC	2011/11/03	CUSTOMER		SHEET NUMBER		
DRAFT WHERE APPLICABLE MUST REMAIN WITHIN DIMENSIONS		THIRD ANGLE PROJECTION	DRAWING	SERIES	GENERAL MARKET		5 OF 5	
			C-SIZE	171224				

DOCUMENT STATUS	P1	RELEASE DATE	2019/09/17 07:55:22
-----------------	----	--------------	---------------------