

THIS DRAWING IS UNPUBLISHED.

RELEASED FOR PUBLICATION

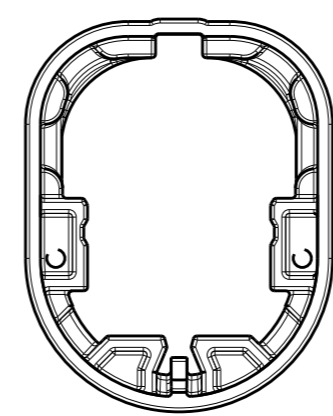
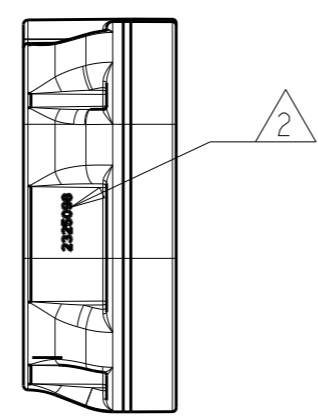
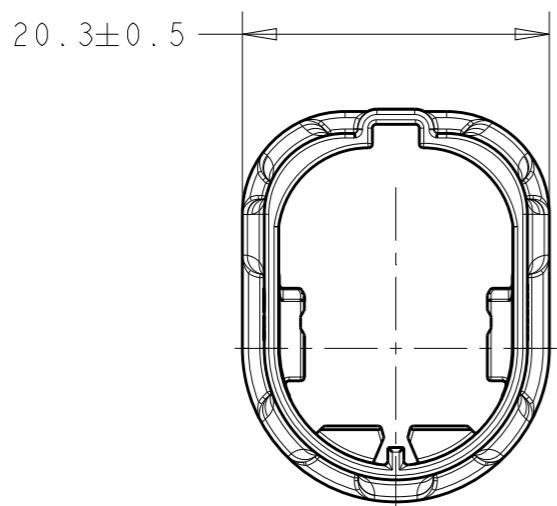
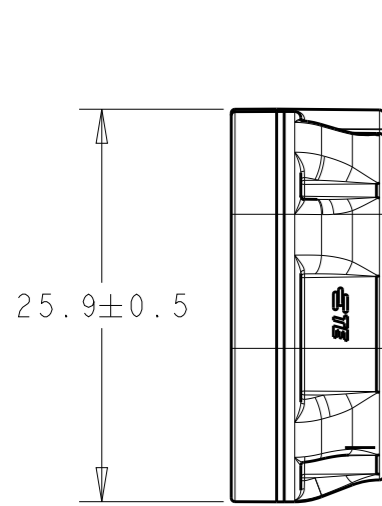
20

© COPYRIGHT 20 BY -

ALL RIGHTS RESERVED.

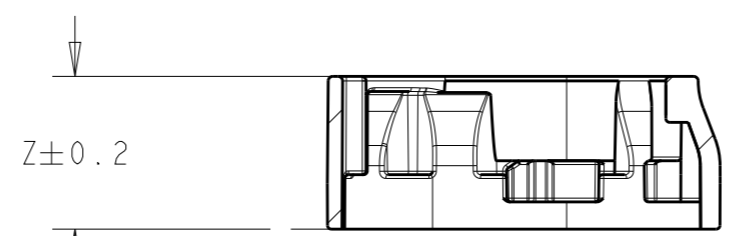
REVISIONS

P	LTR	DESCRIPTION	DATE	DWN	APVD
	A	RELEASED PER ECO-19-016585	31OCT2019	DFS	OCD
	A1	REVISED PER ECO-20-012890	11SEP2020	NS	CB

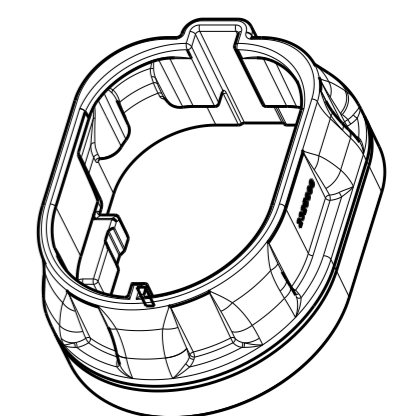


NOTES:

- MATERIAL: PBT-GF30
- △ 2 TE CONNECTIVITY (TE) PART-NO.
- ASSEMBLES TO:
2325102-1, 2325102-2, 2325102-3,
2325102-4, 2325102-5, 2325102-6,
2325106-X.



SECTION B-B
SCALE 2:1

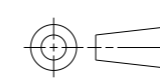


SCALE 2:1

1.0±0.1mm	10.60	GREEN	1.42	2325098-8
2.0±0.1mm	9.60	VIOLET	1.30	2325098-7
3.0±0.1mm	8.60	YELLOW	1.19	2325098-6
3.5±0.1mm	8.10	GREY	1.12	2325098-4
4.5±0.1mm	7.10	BROWN	0.96	2325098-2
PANEL THICKNESS	DIM Z	COLOR	WEIGHT (g)	TE PART NO

THIS DRAWING IS A CONTROLLED DOCUMENT.

DIMENSIONS:
mm



TOLERANCES UNLESS OTHERWISE SPECIFIED:

0 PLC	±
1 PLC	±
2 PLC	±
3 PLC	±
4 PLC	±
ANGLES	±
FINISH	-

MATERIAL
SEE NOTES

DWN 09MAY2018
RAGHAV SATISH

CHK 09MAY2018
DANIEL STACK

APVD 31OCT2019
D. KLEIN

PRODUCT SPEC
108-151045

APPLICATION SPEC
114-151045

WEIGHT
SEE TABLE

CUSTOMER DRAWING



TE Connectivity

NAME
enetSEAL+,
MNTG CLIP

SIZE	CAGE CODE	DRAWING NO	RESTRICTED TO
A3	00779	C-2325098	-

SCALE 5:1 SHEET 1 OF 1 REV A1