



**REED SWITCH DEVELOPMENTS CORP.**

2524 Norwood Court

Racine, WI 53403

Ph: (262)883-9060

[sales@reedswitchdevelopments.com](mailto:sales@reedswitchdevelopments.com)

# SPECIFICATION SHEET

## 2060-1301-900 REV 001

Alternate Part Numbers:

**AM2060-1301-90-01**

**3730-2060-1301-900-ND**

Active / Equivalent Part Numbers:

2060-1301-900 REV 001 - Magnetic Reed Sensor Only

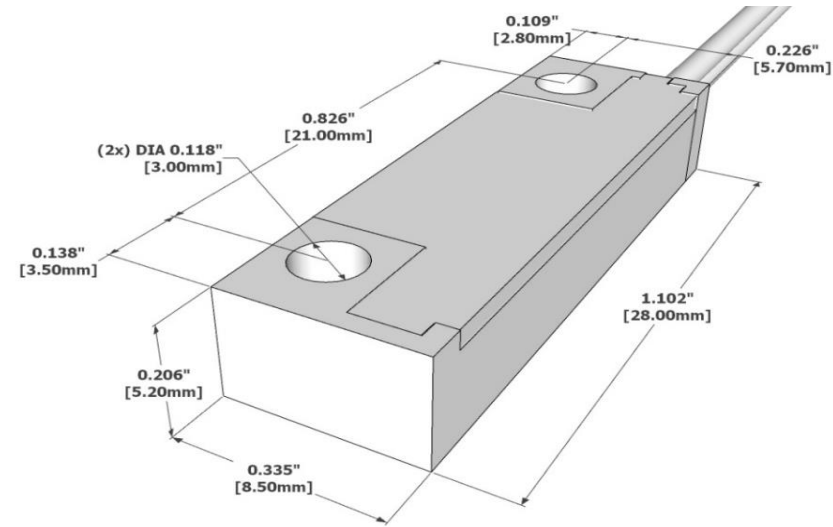
AM2060-1301-90-01 - Magnetic Reed Sensor Only

3730-2060-1301-900-ND - Magnetic Reed Sensor Only

Sensor (Reed) - Specifications		1901 **	
Physical	Configuration	SPST	
	Form	B	
	Contact Position	OFFSET	
	Glass L	14.00	mm
	Glass D	2.30	mm
	Total L*	55.00	mm
	Wire D	0.53	mm
	Gap Location		
	Mount Spec*	THRU	
	Contact Material	RHODIUM	
Operating	Max Vibration Resistance	20	G
	Max Shock Resistance (11ms)	50	G
	Lead Tensile Strength	N/A	KG
	Pull in (+/- 2AT)*	15-20	AT
	Drop out*	5	AT
	Operate Time	2.0	ms
	Bounce Time	0.60	ms
	Release Time	0.50	µs
	Resonant Frequency	N/A	Hz
	Max Operating Frequency	250	Hz
Electrical	Operating Temperature Range	-40 - 105	°C
	Storage Temperature	N/A	°C
	DC Contact Rating	20	W
	AC Contact Rating	20	VA
	DC Switching Voltage	150	VDC
	AC Switching Voltage	150	VAC
	DC Switching Current	1.00	A
	AC Switching Current	1.00	A
	DC Max Carry Current	2.00	A
	AC Max Carry Current	2.00	A
Min Breakdown Voltage	200	VDC	
Max Initial Contact Resistance	150	mOhm	
Typical Initial Contact Resistance	N/A	mOhm	
Max Contact Capacitance	0.80	pF	
Min Insulation Resistance	10 <sup>9</sup>	Ohm	

\* Pre-processed, bare reed element

\*\* THIS ASSEMBLY USES ALTERNATE REED



All measurements are in Inches [millimeters]

### Sensor - Wire/Cable Characteristics (cont.)

Type	Wire
Conductor Count	2
Length	6.0"/152.4mm
Colors	BLK, WHT
Insulation Material	PVC
Gauge	24 AWG
Stranded Copper	7 STR-TC
Maximum Temp	105°C

### Conductor Configuration

Common (COM) - WHITE
Normally Closed (NC) - BLACK

For More Information Visit:

[www.reedswitchdevelopments.com](http://www.reedswitchdevelopments.com)

Or Call Us At:

262-883-9060

### Housing Characteristics 2060

Rectangular w/ Mounting Tab/Holes	
Length	1.102"/27.99mm
Width	0.335"/8.51mm
Height	0.206"/5.23mm
Material	Celanex 3316

### Standard Sensor/Actuator - Min. Actuation Distance

2065-4035-000	0.19"/4.8mm
---------------	-------------

### Assembly Certifications

UL Recognized (File #: E102207)	Y
RoHS / Reach Compliant	Y
Conflict Free Material	Y

REV DATE: 04/20/2023

DISCLAIMER NOTICE: INFORMATION FURNISHED IS PROPRIETARY, AND IS BELIEVED TO BE ACCURATE AND RELIABLE, AND IS SUBJECT TO CHANGE WITHOUT NOTICE. IT SHALL BE THE RESPONSIBILITY OF THE BUYER TO ENSURE THAT THE GOODS ARE SUFFICIENT AND SUITABLE FOR THE PURPOSE OR PURPOSES INTENDED (WHETHER BY THE BUYER OR BY ANY THIRD PARTY) AND THAT THEIR CAPACITY AND PERFORMANCE IS NOT ADVERSELY AFFECTED BY ANY ITEMS USED IN THEIR INSTALLATION (WHERE RELEVANT) AND/OR IN CONNECTION WITH THEM.

**WBE Certified - State of Wisconsin - MFR CAGE CODE: 32604**

[www.reedswitchdevelopments.com](http://www.reedswitchdevelopments.com)