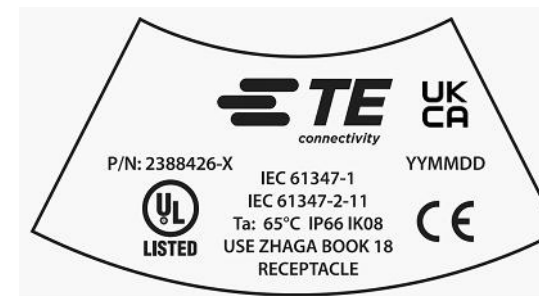
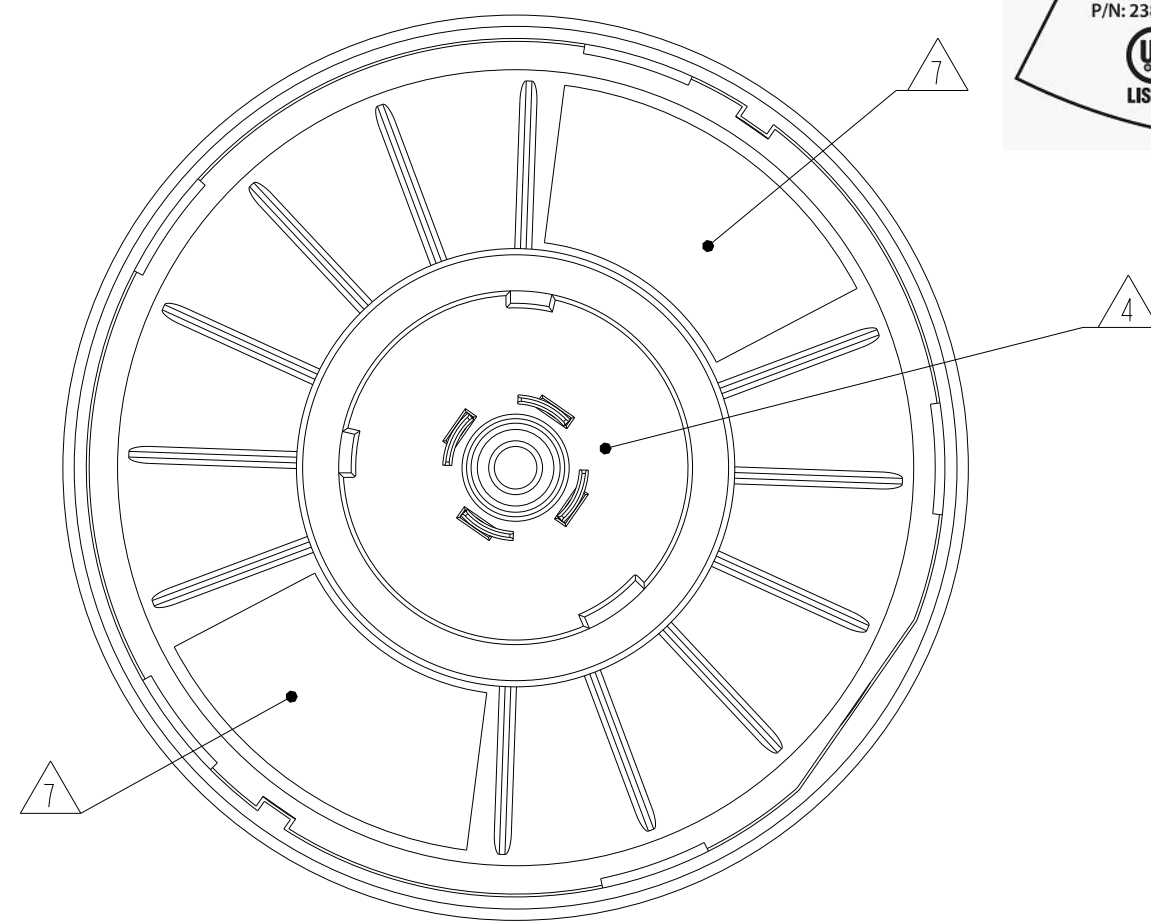
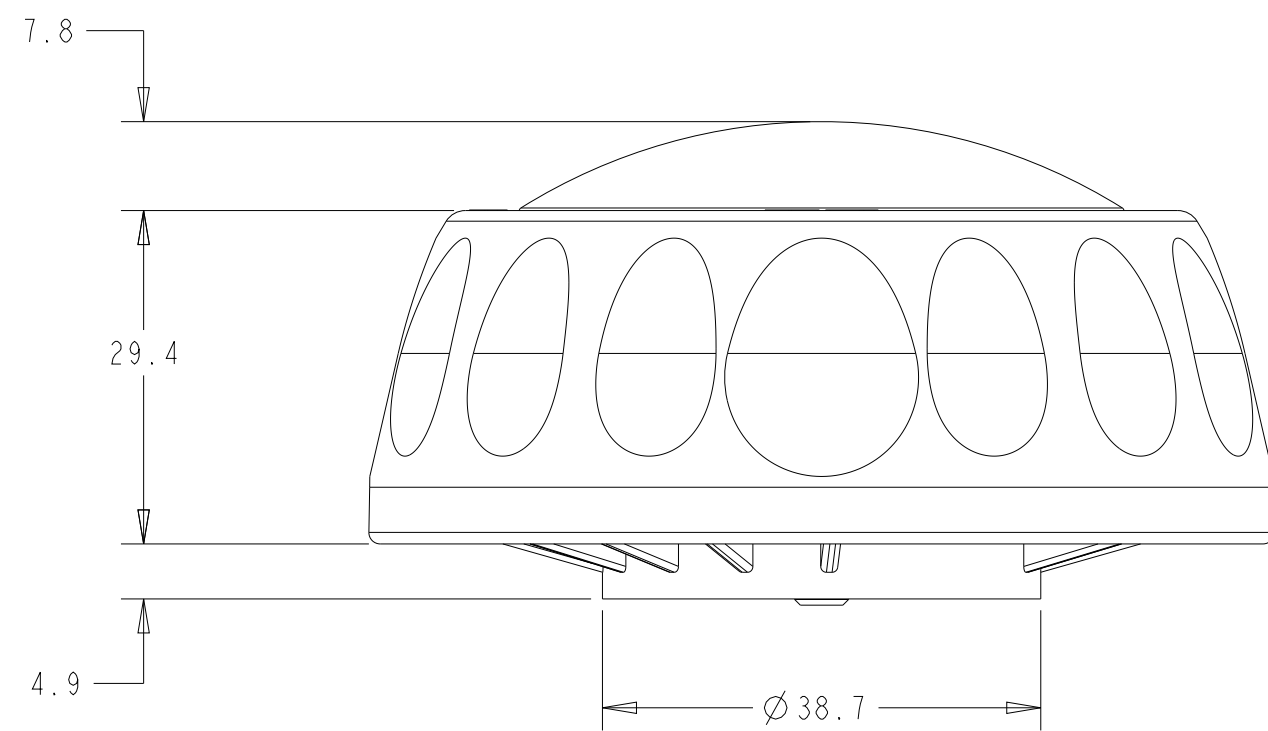
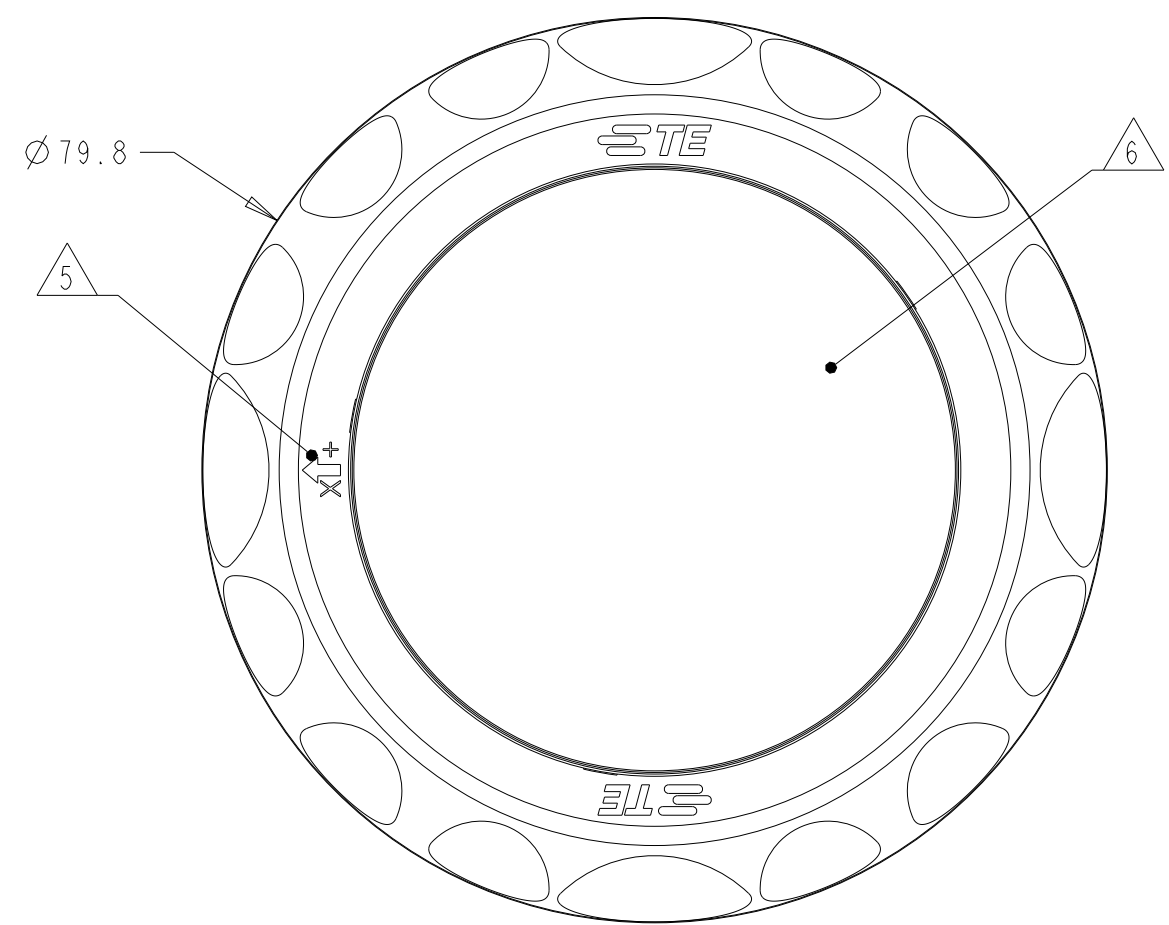
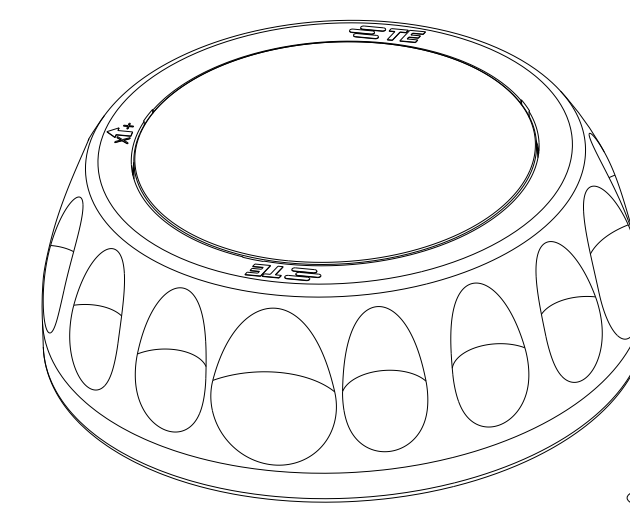


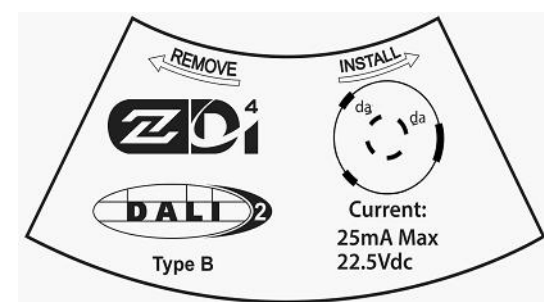
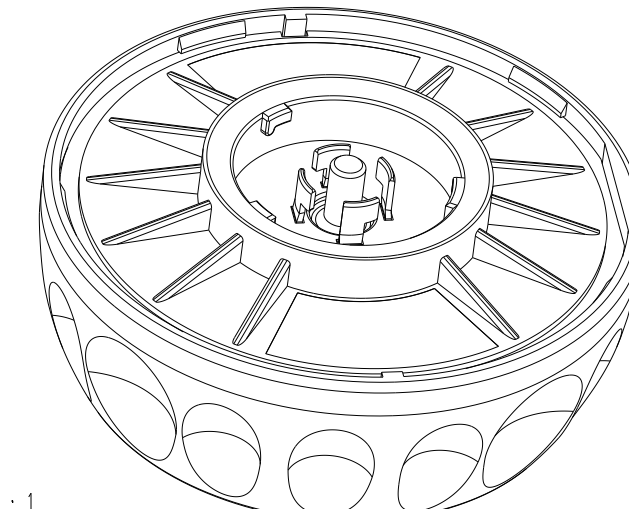
P	LTR	DESCRIPTION	DATE	DWN	APVD
A		RELEASE TO PRODUCTION	02DEC2022	SD	SD



- 1 MATERIALS AND FINISH:
 -HOUSING: PC, COLOR: DARK GREY
 -LOCKING RING: PBT, COLOR: DARK GREY
 -MODULE BASE: PBT, COLOR: GREY
 -LENS: PE
 -GASKET: LSR
 -CONTACTS: BRASS, FINISH: Sn
 -PCBA: FR4
- 2. MUST COMPLY WITH DIRECTIVE 2002/95/EC (ROHS)
- 3. THIS PRODUCT HAS NOT COMPLETED VALIDATION TESTING
- 4 MATES WITH ZHAGA BOOK 18 RECEPTACLES, SEE TE LUMAWISE ENDURANCE S/S2; P/N: 2213858-X, 2363638-X
- 5 ZHAGA BOOK 18 X+ AXIS DIRECTION MARKING
- 6 DETECTION ZONE MASK AVAILABLE; TE P/N: 2396399-1
- 7 PRODUCT IDENTIFICATION LABELS
- 8 PRELIMINARY PART NUMBER



SCALE 1:1



8	1:1 RATIO	2388426-3
8	CONVENTIONAL RATIO	2388426-2
	INVERSE RATIO	2388426-1
	TYPE	PART NO.

DIMENSIONS:		TOLERANCES UNLESS OTHERWISE SPECIFIED:		DWN		CHK		APVD		NAME			
mm		0 PLC	±	02FEB2022	02FEB2022	C DAILY		-		ASSEMBLY, SENSOR LUMAWISE MOTION			
		1 PLC	±0.2			C DAILY		PRODUCT SPEC		-			
		2 PLC	±0.13					108-160457					
		3 PLC	±					APPLICATION SPEC					
		4 PLC	±					114-160247					
		ANGLES	±2°					WEIGHT					
		FINISH						-					
MATERIAL										RESTRICTED TO			
1		1								-			
THIS DRAWING IS A CONTROLLED DOCUMENT.								CUSTOMER DRAWING				SCALE 3:2 SHEET 1 OF 1 REV A	

