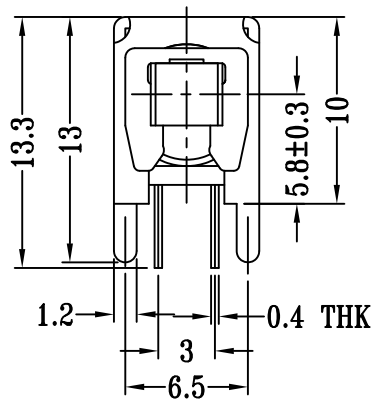
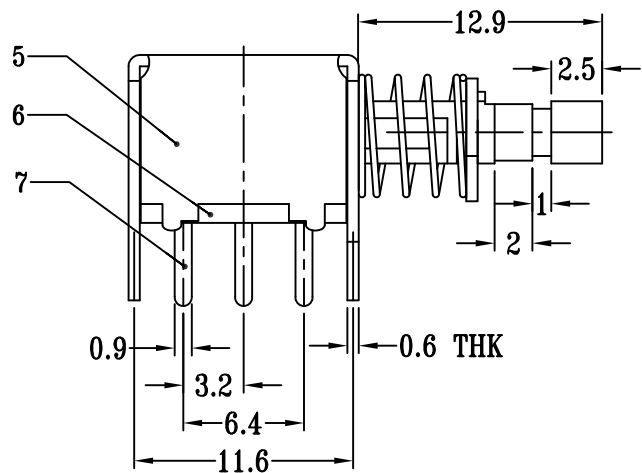
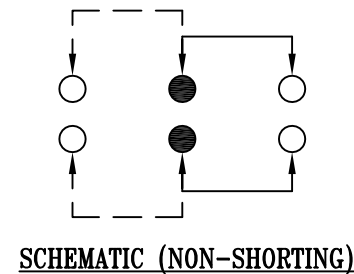


P.C.B LAYOUT
BOTTOM VIEW



SPECIFICATION

1. Rating : DC 50V 0.5A.
2. Function: 2P2T
3. Contact resistance: $\leq 100m\Omega$.
4. Insulation resistance: $\geq 100M\Omega$ (DC500V).
5. Withstanding voltage: 500VAC .
6. Operating Force: $250\pm 100gf$
7. life test: 10,000 cycles.
8. Operation temperature range: -25° 85 $^{\circ}$.
9. Sign"* "is importance dimension.

N:复位 (非自锁)

B:按键手柄黑色

8	CONTACT CLIP	PHOSPHOR BRONZE	2	Ag CLAD	TOLERANCE							
7	TERMINAL	BRASS STRIP	6	Ag PLATED	UNLESS SPECIFIED							
6	BASE	PHENOLIC RESIN	1	NATURAL	< 1.5: $\pm 0.1mm$	ANGULAR	1					
5	FRAME	STEEL STRIP	1	Ni PLATED	> 1.5~5.0: $\pm 0.25mm$	$\pm 1^{\circ}$	NO	DATE	REVISIONS		BY	APPD
4	SCREEN	STEEL STRIP	1	Ni PLATED	> 5.0: $\pm 0.3mm$				TITLE: TITLE : PUSH SWITCH	UNIT : MM	ROHS COMPLIANT	DWN
3	SPRING	STEEL WIRE	1	Ni PLATED					MODEL: PS-22F03-N-B	SCALE: 1:1	CHK'D	
2	BLOCK	STEEL STRIP	1	Ni PLATED							APPD	
1	KNOB	PA66	1	BLACK								
NO.	PART NAME	MATERIAL	QTY	FINISHING	DONGGUANG HAOYU ELECTRONICS CO., LTD 皓宇 HOOYA 东莞市弘皓电子有限公司			PRO.AGL:		REV :A0		