

CGA5L1X8R1E475K160AC

TDK Item Description : CGA5L1X8R1E475KT****



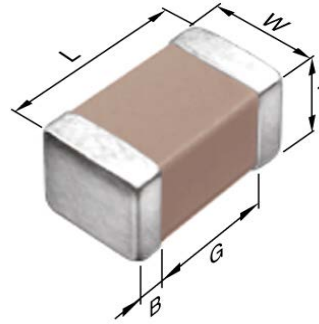
Equivalent C3216X8R1E475K for Automotive

Application & Main Feature

Automotive Grade (High Temperature Application)

Series

CGA5(3216) [EIA 1206]



Dimensions

L	3.20mm +/-0.2mm
W	1.60mm +/-0.2mm
T	1.60mm +/-0.2mm
B	0.20mm Min.
G	1.00mm Min.

Temperature Characteristic

X8R (-55 to 150 deg +/-15%)

Rated Voltage

1E (25Vdc)

Capacitance

4.7uF

Capacitance Tolerance

K (+/-10%)

Dissipation Factor

5% Max.

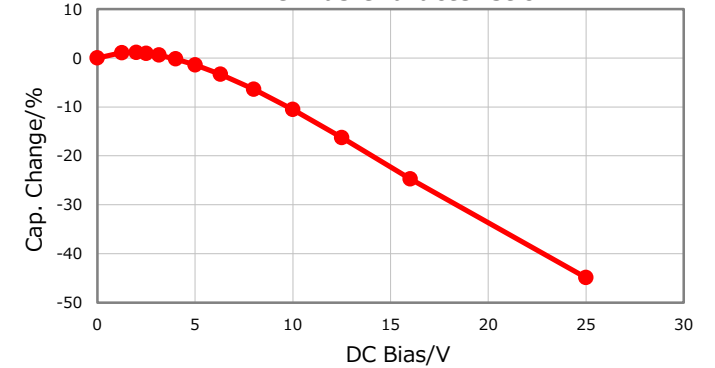
Insulation Resistance

106Mohm Min.

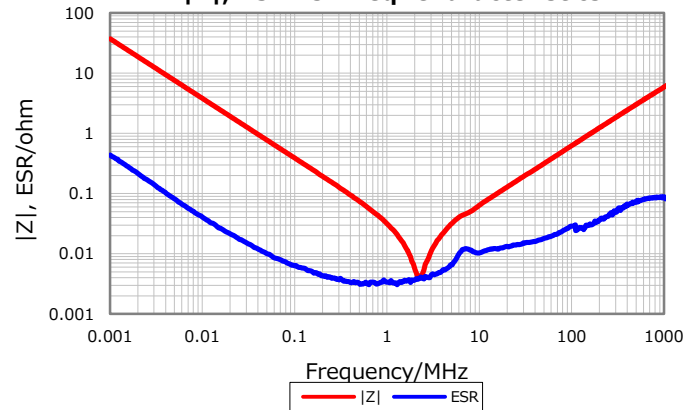
AEC-Q200

Yes

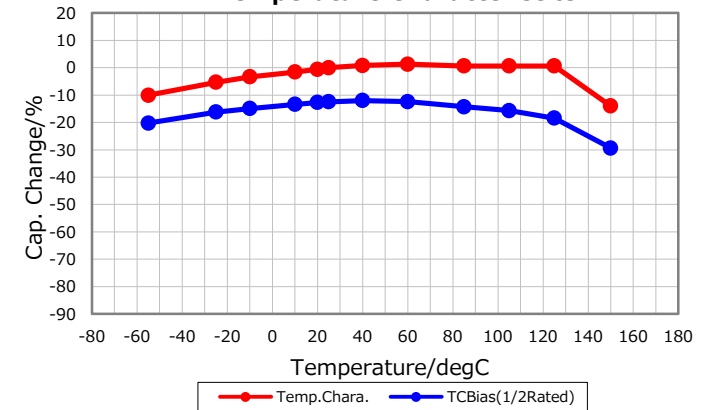
DC Bias Characteristic



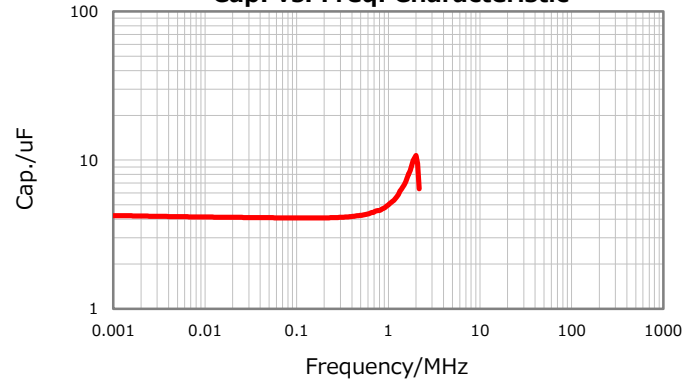
|Z|, ESR vs. Freq. Characteristics



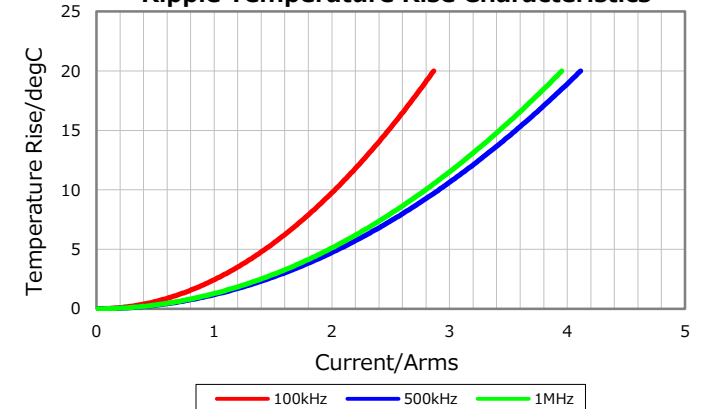
Temperature Characteristics



Cap. vs. Freq. Characteristic



Ripple Temperature Rise Characteristics



Characterization Sheet (Multilayer Ceramic Chip Capacitors)



All specifications are subject to change without notice.

June 5, 2018