

1.25MM PITCH WIRE TO BOARD R/A CONN.

1.0 SCOPE

THIS PRODUCT SPECIFICATION COVERS THE 1.25MM WIRE TO BOARD CONNECTOR.10P

(본 제품 사양서는 1.25MM WIRE TO BOARD CONN.10P 에 대하여 규정한다)

2.0 PRODUCT DESCRIPTION

제품 번호(PART NUMBER) :

포장 전 제품 번호 (BEFORE PACKING)		포장 후 제품 번호 (AFTER PACKING)
10P	104091-1020	104091-1020

3.0 표준 포장 수량(PACKING QUANTITY)

CKT	EMBOSS TAPE			REEL		CARTON BOX	
	CARRIER		TOP			ENG. NO. 35909-0082	
	WIDT H	ENG. No.	ENG. No.	ENG. No.	Q'TY	REEL Q'TY	Q'TY (TOTAL)
10	32	104091-9902	35902-1011	35908-1013	1,500	4	6,000

4.0 라벨 사양(LABEL SPECIFICATION)

CKT	Current Rating	Voltage Rating	해외인증
10	1.5A Max.	200V Max.	---

THIS DOCUMENT CONTAINS INFORMATION THAT IS PROPRIETARY TO MOLEX ELECTRONIC TECHNOLOGIES, LLC AND SHOULD NOT BE USED WITHOUT WRITTEN PERMISSION.

REVISION:	EC INFORMATION:	TITLE:	SHEET No.
C1	EC No: 632260 DATE:	1.25MM WIRE TO BOARD CONN. (104091 SERIES) PACKAGING SPECIFICATION.	1 of 2

DOCUMENT NUMBER:	DOC TYPE:	DOC PART:	CREATED / REVISED BY:	CHECKED BY:	APPROVED BY:
PK-104091-001	PS	002	VLOKESHA		

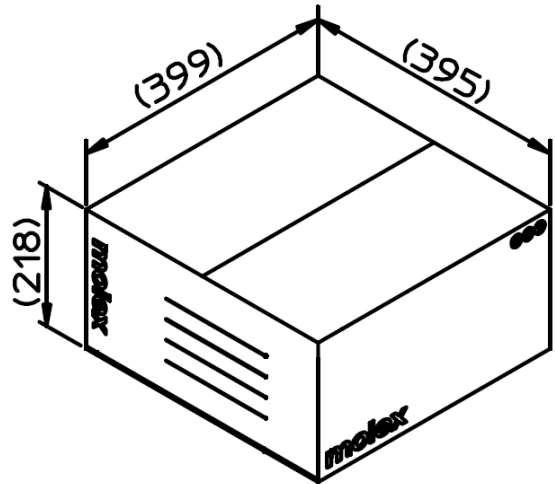
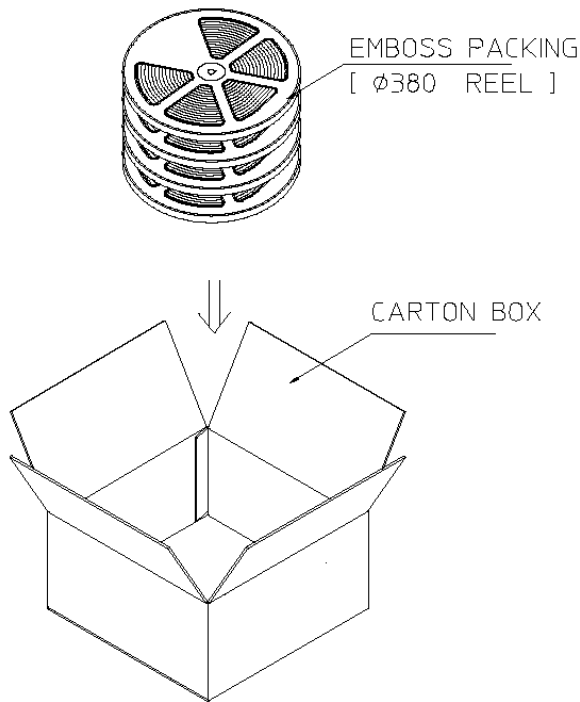
5.0 NOTE

- 포장 평가는 ES40000-7001에 따르고, LEVELII 기준 1을 적용한다
(ESTIMATE : APPLIED TO ES-40000-7001 AND LEVEL II , CRITERION 1)

6.0 PROCEDURE

- PACKING INSTRUCTIONS : 해당 BOX에 PACKING 된 REEL을 넣고 포장한다.

[Packing Process]



[Packing Completion]

PENDING
APPROVAL

THIS DOCUMENT CONTAINS INFORMATION THAT IS PROPRIETARY TO MOLEX ELECTRONIC TECHNOLOGIES, LLC AND SHOULD NOT BE USED WITHOUT WRITTEN PERMISSION.

REVISION: C1	EC INFORMATION: EC No: 632260 DATE:	TITLE: 1.25MM WIRE TO BOARD CONN. (104091 SERIES) PACKAGING SPECIFICATION.	SHEET No. 2 of 2
------------------------	---	--	----------------------------

DOCUMENT NUMBER: PK-104091-001	DOC TYPE: PS	DOC PART: 002	CREATED / REVISED BY: VLOKESHA	CHECKED BY:	APPROVED BY:
--	------------------------	-------------------------	--	-------------	--------------