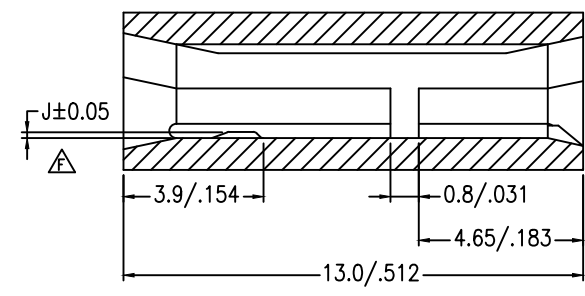
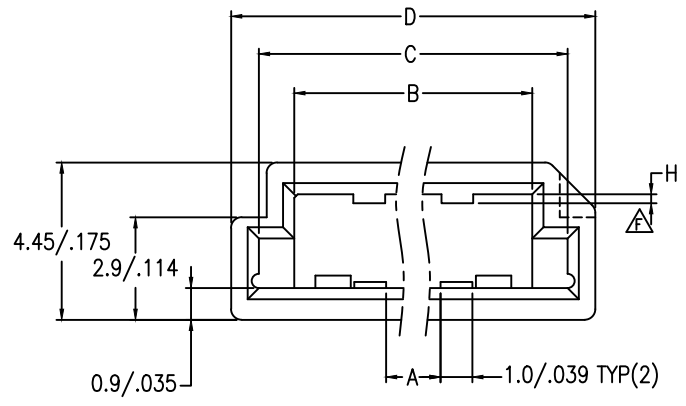
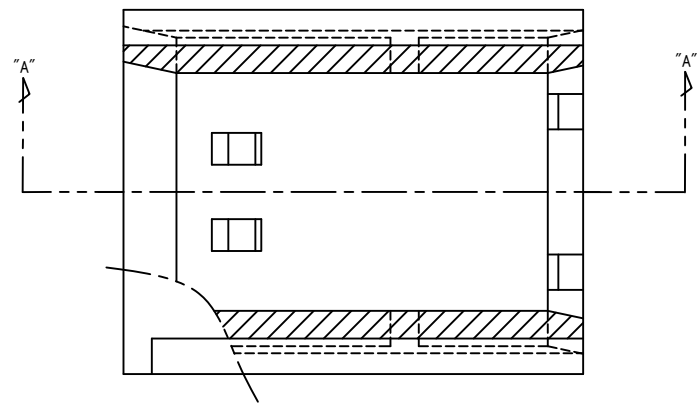
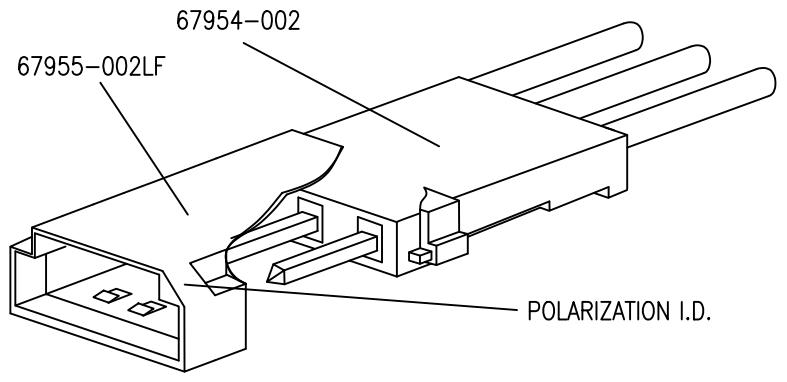


PRODUCT NO.	MATERIAL
67955-XXXLF	PLAIN NORIL, COLOR: BLACK, UL94V-1
67955-XXXHLF	Zytel: FR-50, COLOR: BLACK, UL94V-0



SECT "A"-"A"

mat'l. code		surface		tolerance	projection	product family	CODE
---		ISO 1302		ISO 406	MM/INCH	5NGF - PV HOUSINGS	JP
ltr description		ecn no	dr date	tolerances	angles	title	
D	REVISED	J05-0525	R.S 2005-8-19	linear	0.X ±0.25	POLARIZED M/L HSG SHROUD	
E	REVISED	J06-0279	R.S 2006-7-25	linear	0.XX ±0.25		
F	REVISED	J10-0121	S.W 2010-5-20	linear	0.XXX ±0.25		
G	REVISED	F-30561	DDE 2018-6-27	linear	0.XXX ±0.25		
sheet index		revision	G C	dr	D.DETOUILLOIN	18.06.27	dwg no
1	2			enr	L.MULIN	18.06.27	sheet 1 of 2
				chr	L.MULIN	18.06.27	size
				appd	A.SOUDY	18.06.27	A3
type		PRODUCT CUSTOMER Drawing		FCJ		Rev.	
						G	

FCI CONFIDENTIAL



Copyright FCI

67955-003LF	4	5.08/.200	10.27/.404	12.27/.483	13.84/.545	0.25/.010	0.17/.007
67955-003HLF							
67955-002LF	3	2.54/.100	7.73/.304	9.73/.383	11.3/.445	0.25/.010	0.17/.007
67955-002HLF							
67955-001LF	2	0/0	5.19/.204	7.19/.283	8.76/.345	0.15/.006	0.1/.004
67955-101HLF							
67955-001HLF							
P/N	NO. of POS	A	B	C	D	H	J

NOTE.

- FIG.1 SHOWS 67955-002LF MATED WITH POLARIZED MINI LATCH HOUSING. 67954-002 LOADED WITH CTW MALE PIN.
- THIS PRODUCT MEETS EUROPEAN UNION DIRECTIVES AND OTHER COUNTRY REGULATIONS AS DESCRIBED IN GS-22-008.
- THIS PRODUCT IS NOT INTENDED TO BE EXPOSED TO A MANUFACTURING SOLDER PROCESS.

FCI CONFIDENTIAL



mat'l. code				surface		tolerance		projection		product family		CODE
---				ISO 1302		ISO 406		1st angle		5NGF - PV HOUSINGS		JP
ltr description ecn no dr date				tolerances unless otherwise specified		linear		MM/INCH		title		
A	RELEASED	J05-0525	R.S	2005-8-18	angles	0.X	±0.25	MM/INCH		POLARIZED M/L HSG SHROUD		
B	REVISED	J06-0279	R.S	2006-7-25	linear	0.XX	±0.25	scale		dwg no		
C	REVISED	J10-0121	S.W	2010-5-20	0'±2'	0.XXX	±0.25	scale		sheet 2 of		
D	REVISED	F-30561	DDE	2018-6-27	dr	D.DETOUILLO	18.06.27	FCI		67955		
					enr	L.MULIN	18.06.27			A3		
					chr	L.MULIN	18.06.27			type		
					appd	A.SOUDY	18.06.27			PRODUCT CUSTOMER Drawing		
sheet index	revision sheet									Rev. D		